

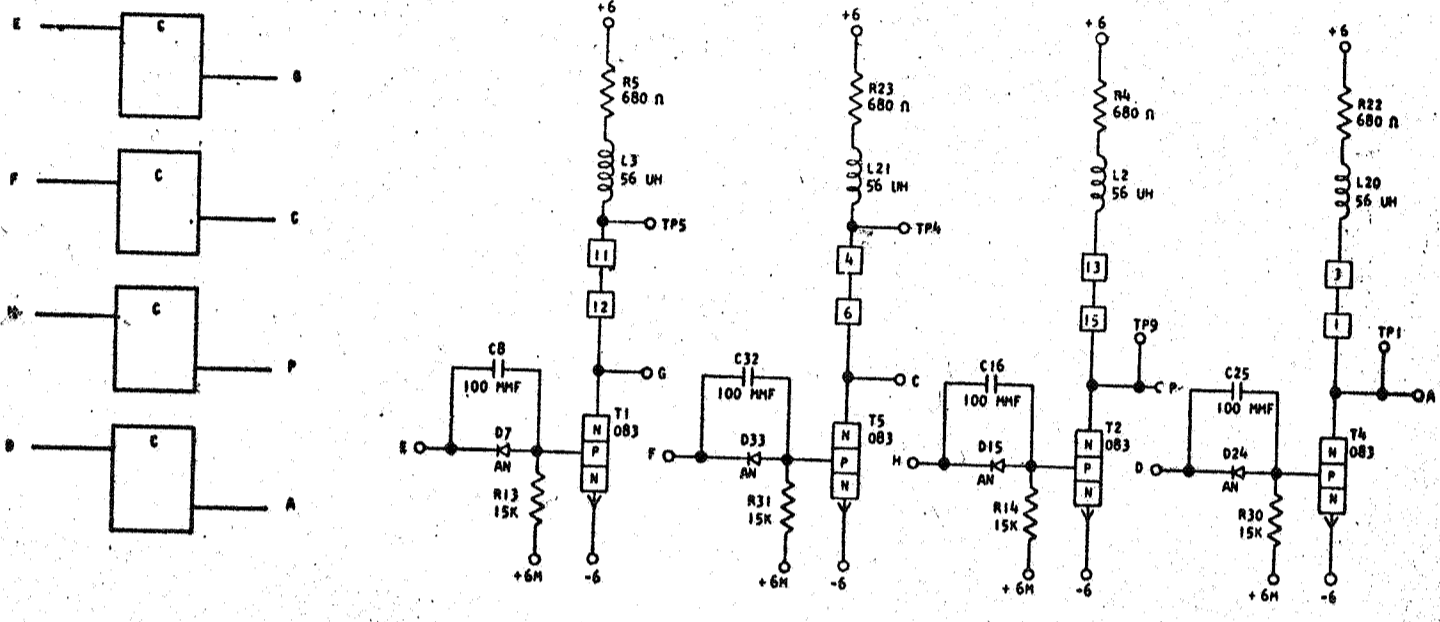
729878

STANDARDS CODE

CARD CODE 729878  
JJ VP

REFERENCE DRAWING  
SEE PRODUCTION DRAWING 371587

CTOL HIGH SPEED ONE WAY NPN ALL LOADS



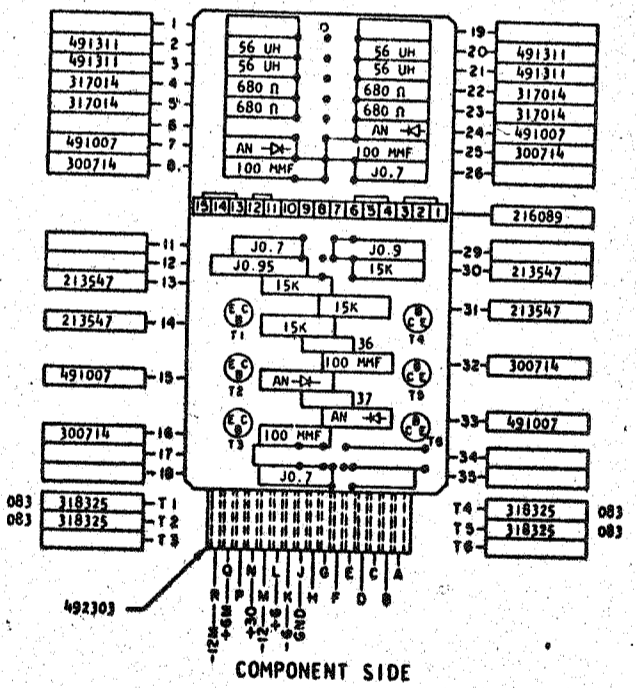
SEQUENCE OF OPERATION:

1. IF THE INPUT IS UP, THE TRANSISTOR IS ON, THE OUTPUT IS DOWN.
2. IF THE INPUT IS DOWN, THE TRANSISTOR IS OFF, THE OUTPUT IS UP.
3. LOGIC BLOCKS MAY HAVE SYMBOLS OTHER THAN SHOWN

PINS	SIGNAL NAME	WAVE SHAPE	LEVELS		
			MIN	MAX	
E, F, H, D	U	INPUT	UP	-5.26	+2.24
			DOWN	-7.44	-12.48
G, C, P, A	T	OUTPUT	UP	+1.44	+6.24
			DOWN	-5.46	-6.24
			UP		
			DOWN		

DELAY - USEC

	MINIMUM	MAXIMUM
TURN ON	0.10	0.20
TURN OFF	0	0.30



COMPONENT SIDE

CIRCUIT AND PACKAGING STANDARD	
APPROVAL	DATE
ABC	4-2-62

INTERNATIONAL BUSINESS MACHINES CORP.				DATE	CHANGE NO.	APPROVAL	DATE	CHANGE NO.	APPROVAL	DEVELOPMENT NO.
NAME CARD ASH TSTR-CTOL HIGH				6-29-62	EC115599					729878
SPEED ONE WAY NPN ALL LOADS				30-6-63	JT 83687					
DESIGN		MODEL	SNS							
DETAIL	RQ	3-1-62	SCALE	NONE						
CHECK	WH	3-1-62	DRAW	LIG 5-17-62						
APPRO			CHECK							

729878