

729934

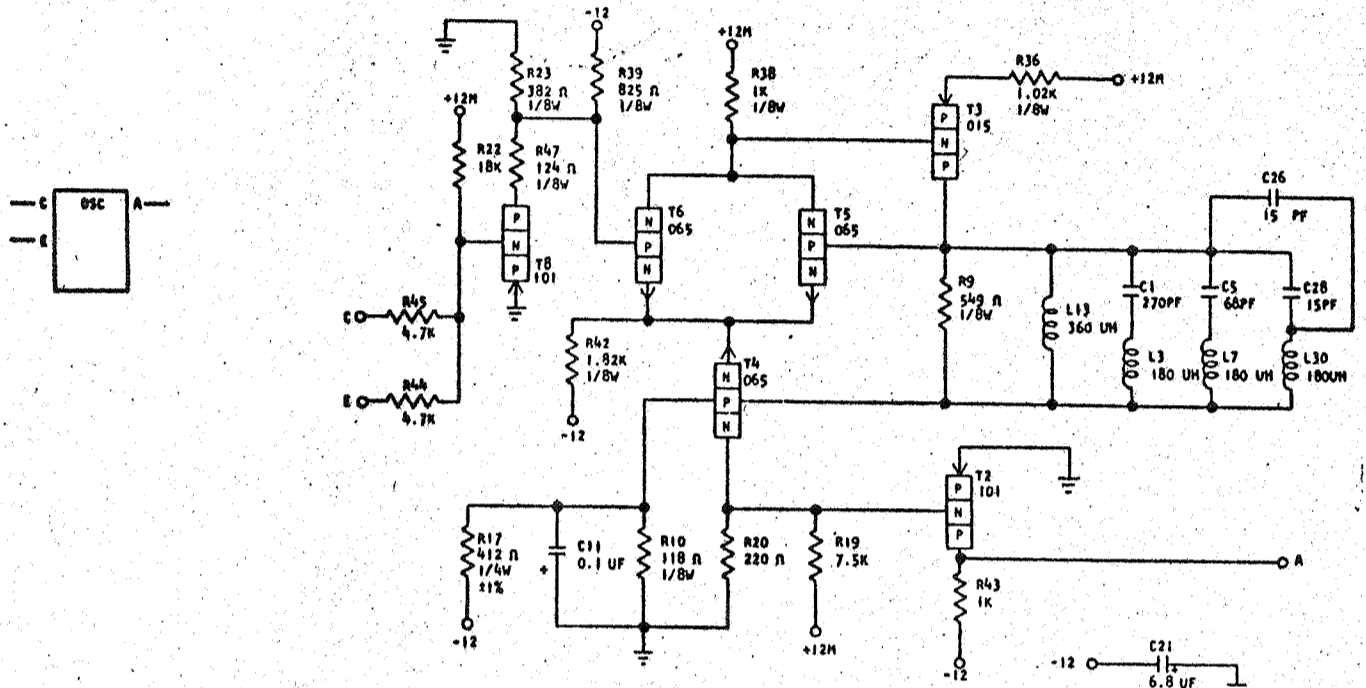
STANDARDS CODE

CARD CODE 729934  
T B G

REFERENCE DRAWING

SEE PRODUCTION DRAWING 370296

SDTRL - OSCILLATOR, 320 KC S LINE GATED



SEQUENCE OF OPERATION

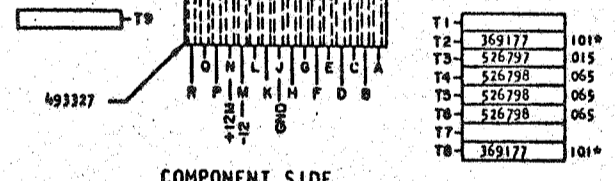
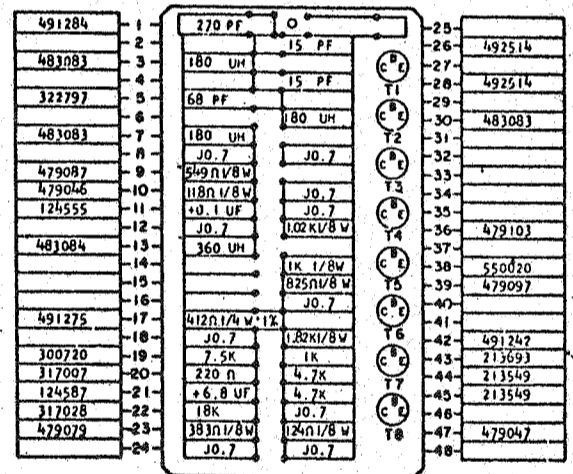
1. WHEN C AND E ARE UP, T8 TURNS OFF, OSCILLATOR TURNS ON
2. WHEN C OR E ARE DOWN, T8 TURNS ON, OSCILLATOR TURNS OFF

PINS	SIGNAL NAME	WAVE SHAPE	LEVELS		
			MIN	MAX	
C, E	S INPUT		UP	-0.45	-0.05
			DOWN	-6.87	-12.5
A	S OUTPUT		UP	-0.45	-0.05
			DOWN	-6.87	-12.5

DELAY - NSEC

	MINIMUM	MAXIMUM
TURN ON	70	100
TURN OFF*	160	200
RISE TIME	52	66
FALL TIME	42	60

\*APPLIES ONLY WHEN GATING, WHEN OUTPUT IS AT A + S LEVEL.



COMPONENT SIDE

CIRCUIT AND PACKAGING STANDARD	
APPROVAL	DATE
ABC	4-2-62

INTERNATIONAL BUSINESS MACHINES CORP.				DATE	CHANGE NO.	APPROVAL	DATE	CHANGE NO.	APPROVAL	DEVELOPMENT NO.
NAME CARD ASM TSTR-SDTRL OSC				6-7-62	EC 115599					729934
320 KC S LINE GATED				30.4.63	TT 83687					
DESIGN	RQ	3-1-62	SCALE	NONE						
CHECK	WH	3-1-62	DRAW	LIG	3-17-62					
APPRO			CHECK							

729934