

729943

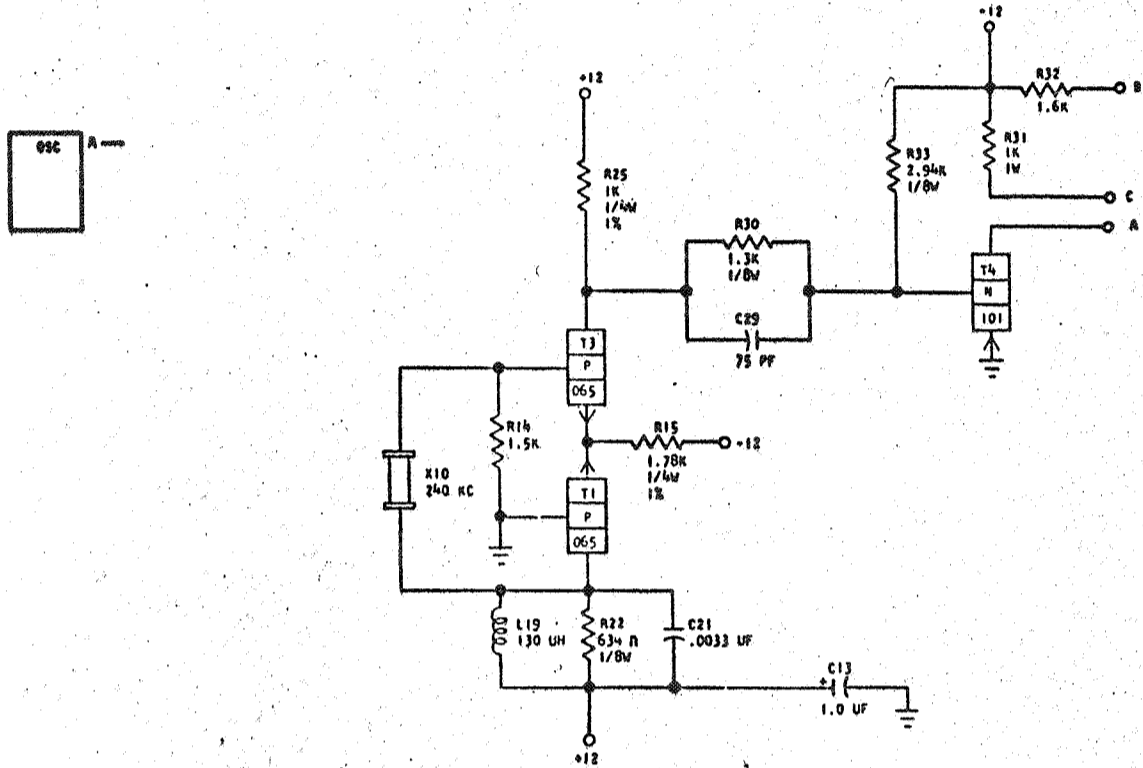
STANDARD CODE

CARD CODE 729943

T D E -


REFERENCE DRAWING  
SEE PRODUCTION DRAWING 370399

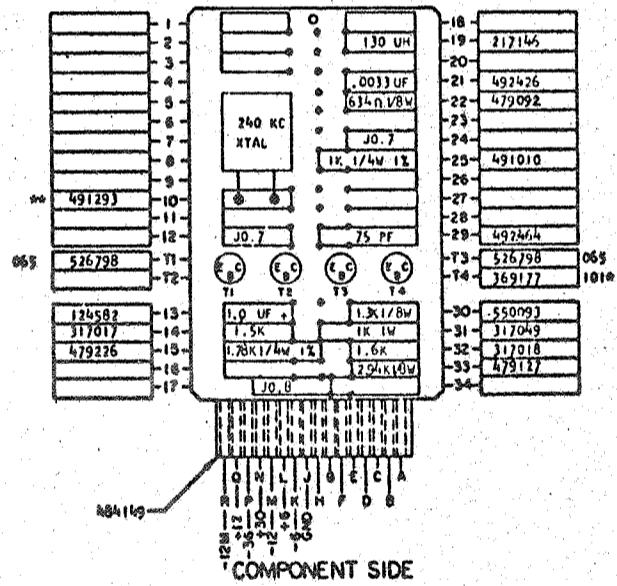
SDTDL-SDTRL-240 KC OSCILLATOR



SEQUENCE OF OPERATION

1. WHEN POWER IS UP, THE OSCILLATOR TURNS ON
2. PIN A CAN BE TIED TO TWO DIFFERENT LOADS, DEPENDING ON CIRCUIT REQUIREMENTS

PINS	SIGNAL NAME	WAVE SHAPE	LEVELS	
			MAX	MIN
A	OUTPUT	 240 KC	UP -.45	DOWN -.05
				-12.48



CIRCUIT AND PACKAGING STANDARD	
APPROVAL	DATE
ABC	4-2-62

INTERNATIONAL BUSINESS MACHINES CORP.				DATE	C. INGE NO.	APPROVAL	DATE	CHANGE NO.	APPROVAL	DEVELOPMENT NO.
DEVT	CARD ASH TSTR-SDTDL			1-17-62	EC 115599					
DESIGN	SDTRL-240 KC OSCILLATOR			30.4.63	7783687					
DESIGN	RQ 3-1-62	SCALE	NONE							
CHECK	VH 3-1-62	DRAW	LIG 3-17-62							
APPRO		CHECK								

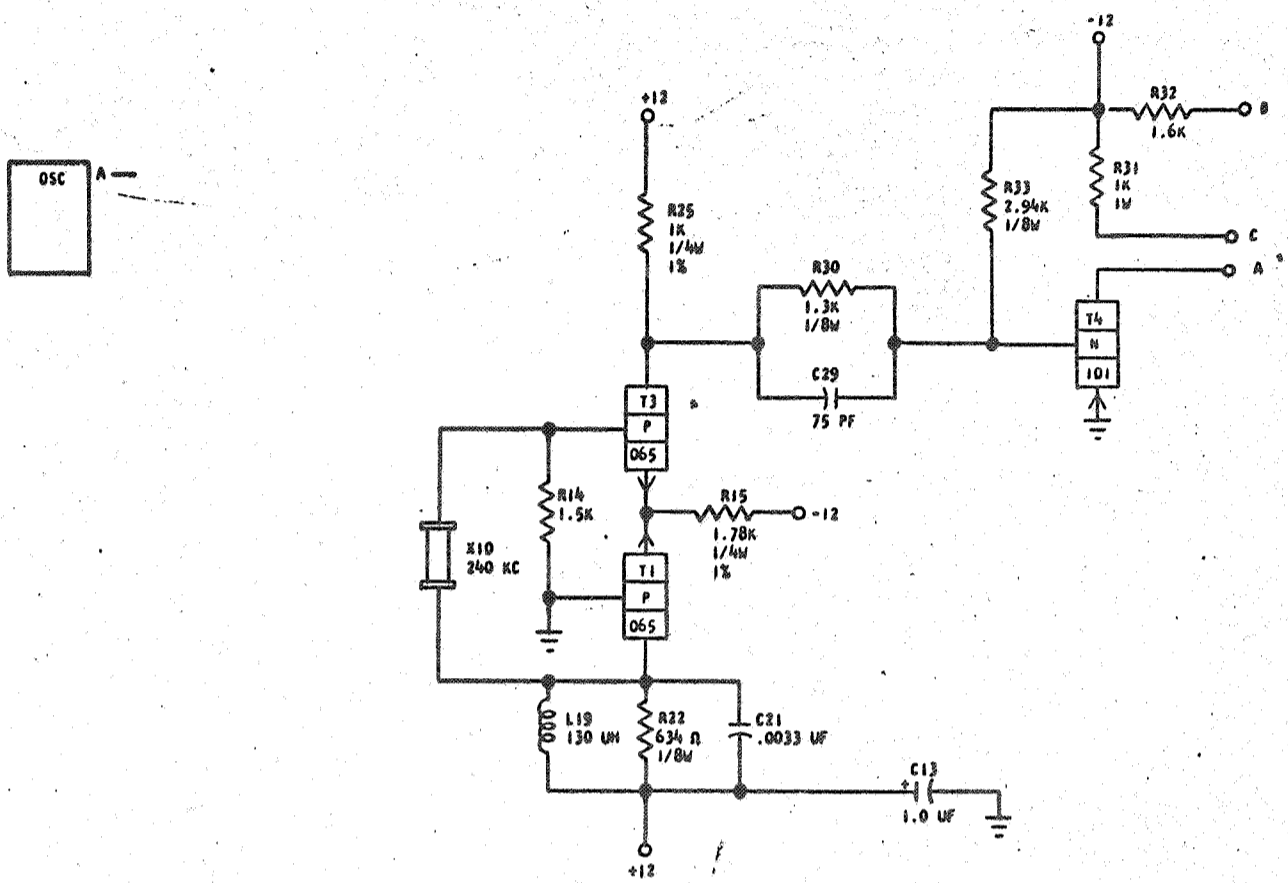
729943

729943  
STANDARDS CODE

CARD CODE 729943  
T D E -

**REFERENCE DRAWING**  
SEE PRODUCTION DRAWING 370399

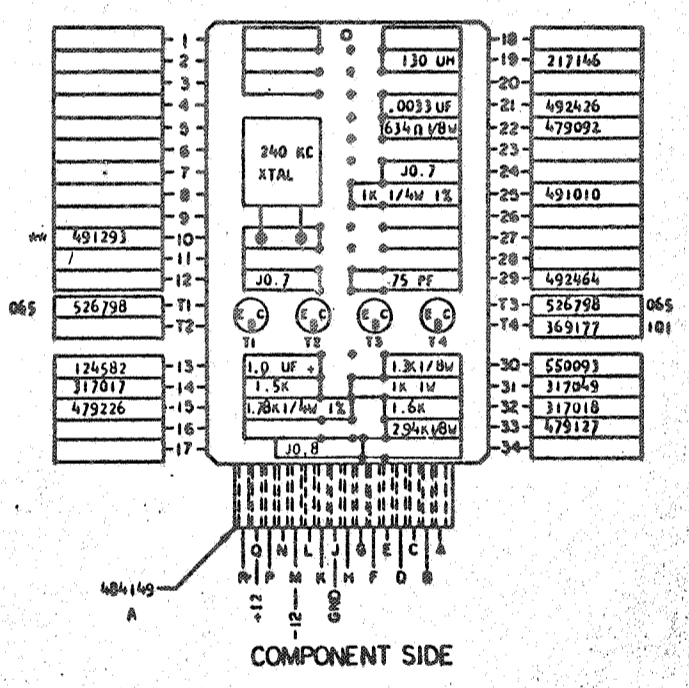
**SDTDL-SDTRL-240 KC OSCILLATOR**



**SEQUENCE OF OPERATION**

1. WHEN POWER IS UP, THE OSCILLATOR TURNS ON
2. PIN A CAN BE TIED TO TWO DIFFERENT LOADS, DEPENDING ON CIRCUIT REQUIREMENTS

PINS	SIGNAL NAME	WAVE SHAPE	LEVELS	
			MAX	MIN
A	S	OUTPUT	UP - .45	DOWN - .05



CIRCUIT AND PACKAGING STANDARD	
APPROVAL	DATE
ABC	4-2-62

INTERNATIONAL BUSINESS MACHINES CORP.				DATE				CHANGE NO				APPROVAL				DEVELOPMENT NO			
NAME	CARD ASM TSTR-SDTDL	DATE	6-27-62	CHANGE NO	115599	APPROVAL		DATE		CHANGE NO		APPROVAL		DEVELOPMENT NO					
	SDTRL-240 KC OSCILLATOR	DATE	8-28-63	CHANGE NO	117802	APPROVAL													
DESIGN	RQ	3-1-62	SCALE	NONE															
DETAIL	WH	3-1-62	DRAW	LIG	3-17-62														
CHECK																			
APPRO																			

0165033