

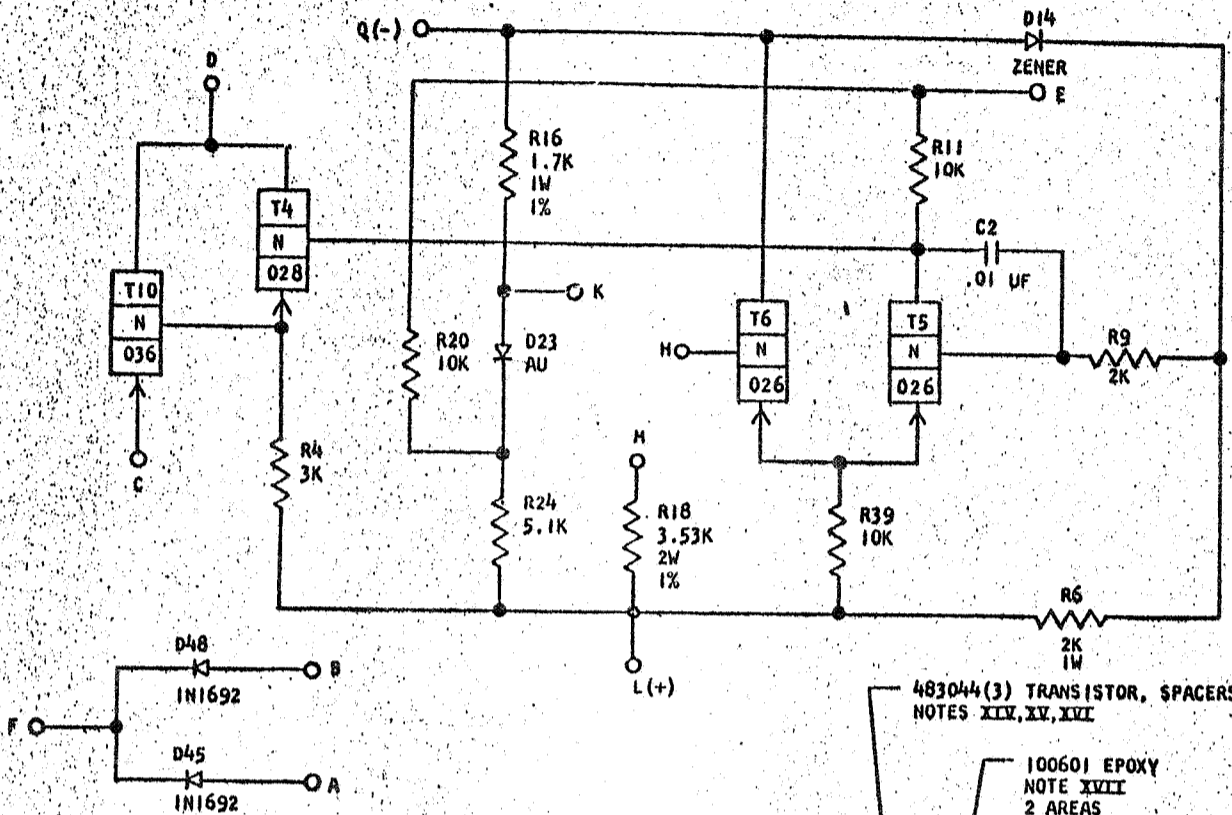
30 VOLT

MOUNT CARD ON ONE-INCH CENTERS - NOTE XVIII

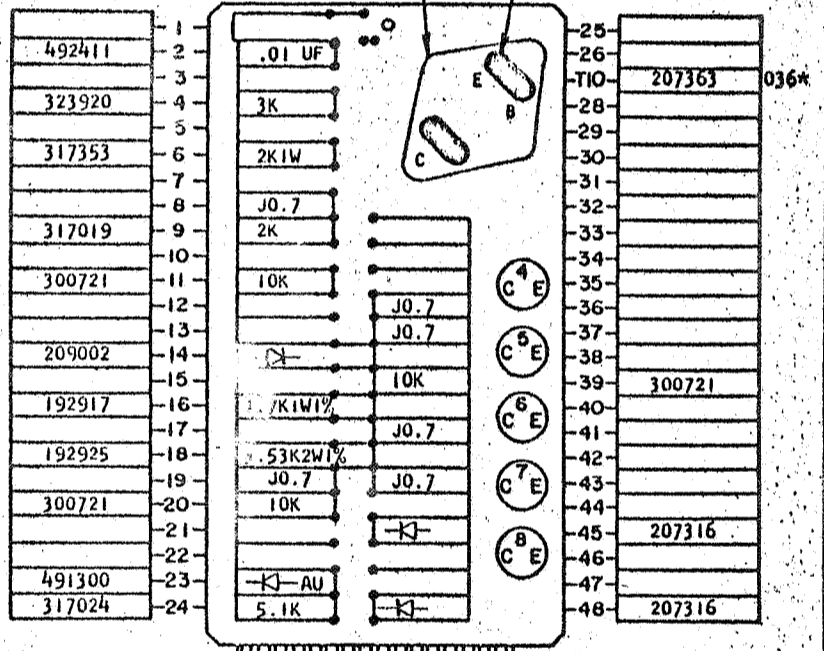
RESTRICTED NOTE XIV

370608

STANDARDS CODE
2-7045



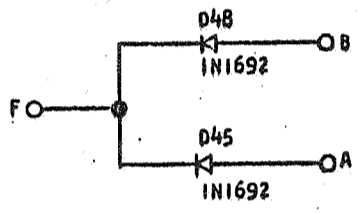
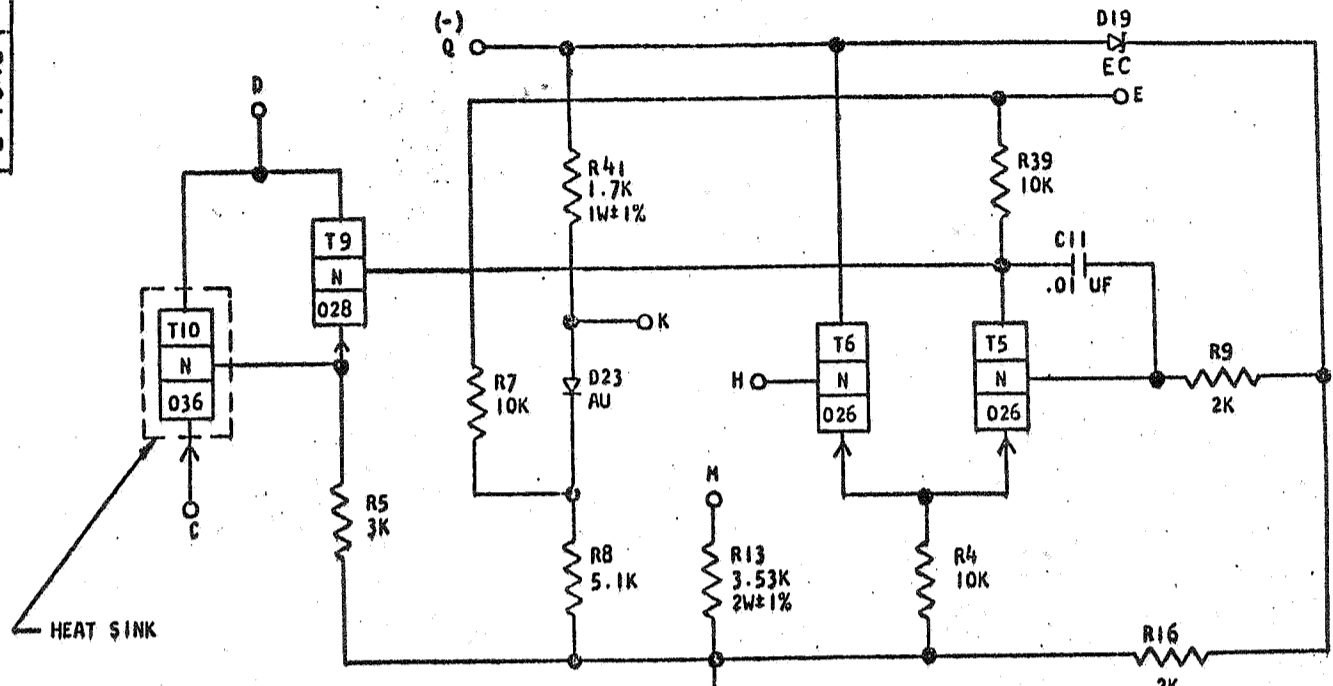
- NOTES**
- I** CIRCUIT MUST CONFORM TO ENGINEERING SPECIFICATION
 - II** ASSEMBLE TO ENGINEERING SPECIFICATION 895396 AND 891999
 - XII** ALL RESISTORS ARE 1/2 WATT AND ±5% UNLESS OTHERWISE NOTED
 - XIII** "J" IN BLOCK DENOTES BARE WIRE JUMPER, 491296
 - XIV** TECHNICAL LABORATORY EVALUATION INCOMPLETE, ADDITIONAL USAGE TO BE AVOIDED. THIS PART IS SUBJECT TO WITHDRAWAL.
 - XV** DO NOT CRIMP TRANSISTOR LEADS, HAND SOLDER TRANSISTOR TO BOARD AFTER CLEANING MOUNT TRANSISTOR .015 MIN TO .020 MAX ABOVE SURFACE OF CARD. USE SPACER 483044(3) ON TRANSISTOR 207363. PUT TWO BEADS OF 100601 EPOXY ACROSS THE BOTTOM OF 036 TRANSISTOR 207363 AND BAKE AT 125°±5°F FOR 20 MINUTES MIN.
 - XVI** CUT INSULATING TAPE PART NUMBER 483029 TO A DIA OF .750±.010 AND APPLY TO TOP OF TRANSISTOR 207363
 - XVII** EPOXY AREAS TO BE 3/16 TO 1/4 INCH WIDE BY APPROXIMATELY .030 HEIGHT BEFORE MOUNTING.
 - XVIII** MAXIMUM HEIGHT THAT COMPONENTS MAY PROJECT ABOVE SURFACE OF THE CARD WILL BE .405



B

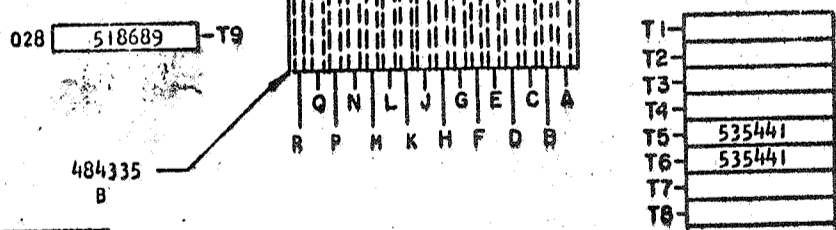
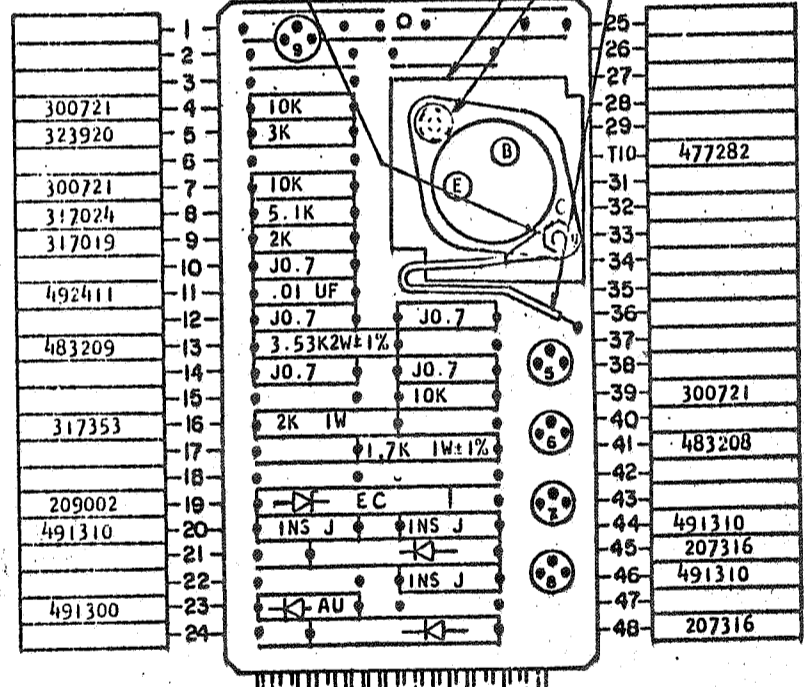
CIRCUIT AND PACKAGING STANDARD	
APPROVAL	DATE

INTERNATIONAL BUSINESS MACHINES CORP.		DATE	CHANGE NO.	APPROVAL	DATE	CHANGE NO.	APPROVAL	DEVELOPMENT NO.
NAME	CARD ASM TSTR -	6-8-61	111822	NOTE XIV				88-2151
DESIGN	RFS 4-19-61	TYPE	SMSPWR SUP					
DETAIL	RFS 4-19-61	SCALE	NONE					
CHECK	RFS 6-1-61	DRAW	VE 5-15-61					
APPROV	CHS 6-7-61	CHECK	WDS 5-18-61					



- 8446 (2) WASHER
- 483128 SCREW
- 38051 (2) NUT
- 62031 LOCKWASHER
- NOTES XVII, XVIII
- 483098
- 483129 SPACER
- 62031(2) LOCKWASHER
- 483138 SCREW
- NOTE XIX
- 483153

- NOTES
- I CIRCUIT MUST CONFORM TO ENGINEERING SPECIFICATION 892608
 - II ASSEMBLE TO ENGINEERING SPECIFICATION 895396 AND 891999
 - III ALL RESISTORS ARE 1/2 WATT AND ± 5% UNLESS OTHERWISE NOTED
 - IV "J" IN BLOCK DENOTES BARE WIRE JUMPER 491296 UNLESS OTHERWISE NOTED
 - * XV TECHNICAL LABORATORY EVALUATION INCOMPLETE. ADDITIONAL USAGE TO BE AVOIDED. THIS PART IS SUBJECT TO WITHDRAWAL.
 - VI DO NOT CRIMP TRANSISTOR LEADS
 - VII MAXIMUM HEIGHT THAT COMPONENTS MAY PROJECT ABOVE SURFACE OF THE CARD WILL BE .610.
 - VIII CASE IS ELECTRICALLY CONNECTED TO COLLECTOR, CONNECTION COMPLETED THROUGH JUMPER.
 - IX WASHER 8446 TO BE PLACED BETWEEN HEAT SINK AND CARD SURFACE.
 - X PLACE ONE LOCKWASHER 62031 ON EACH SIDE OF NUT



B

CIRCUIT AND PACKAGING STANDARD	
APPROVAL	DATE
JH Toloz.	1/24/62
HOLE PATTERN	
493457	

INTERNATIONAL BUSINESS MACHINES CORP.		DATE	CHANGE NO.	APPROVAL	DATE	CHANGE NO.	APPROVAL	DEVELOPMENT NO.	370608
NAME CARD ASM TSTR -30 VOLT DIFF. AMPLIFIER		6-8-61	111822	NOTE XIV	8-30-62	113136	NOTE XIV	88-2151	
DESIGN	EDF	12-20-61	MODEL	S:IS	12-26-61	112448 A	NOTE XIV		
DETAIL	JH	12-29-61	SCALE	NONE	2-6-62	113685	NOTE XIV		
CHECK	EDF	1-3-62	DRAW	MDE	1-8-62	3-28-62	113967	NOTE XIV	
APPRO	GWS	2-5-62	CHECK	MDS	1-10-62				

82-3987-2 6-22-61