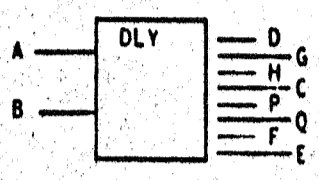


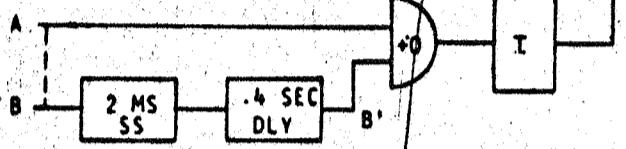
740601

CARD CODE 740601
Z K V -

REFERENCE DRAWING
SEE PRODUCTION DRAWING 372687



FUNCTIONAL OPERATION



SEQUENCE OF OPERATION

1. NORMAL OPERATION PINS A AND B TIED TOGETHER (DRIVE ETMS FROM PIN G)
2. POSITIVE GOING INPUT ON PIN B CAUSES B TO TIME OUT 400 MILLSEC. (SEE TIMING CHART)
3. THE N.C. REED RELAY IS DE-ENERGIZED (POINTS CLOSED) FOR A OR B' UP (METER RUN CONDITION)
4. FOR A ONLY, IN THE UP LEVEL THE NC REED RELAY IS DE-ENERGIZED (POINTS CLOSED). FOR A ONLY, IN THE DOWN N.C. REED RELAY IS ENERGIZED (POINTS OPEN).
5. THE LEVEL OF THE WAVE FORM APPEARING AT RRI-2 IS DEPENDENT ON TYPE OF LOGIC BEING DRIVEN.

A. FOR DRIVING INTO CTRL, CIDL, SOTDL AND SDTRL CONNECT THE FOLLOWING:

FROM	TO
E	F
F	P
H	J

DRIVE FROM PIN E

B. FOR DRIVING CURRENT MODE, CONNECT THE FOLLOWING:

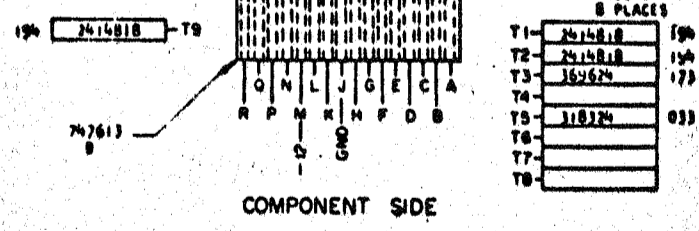
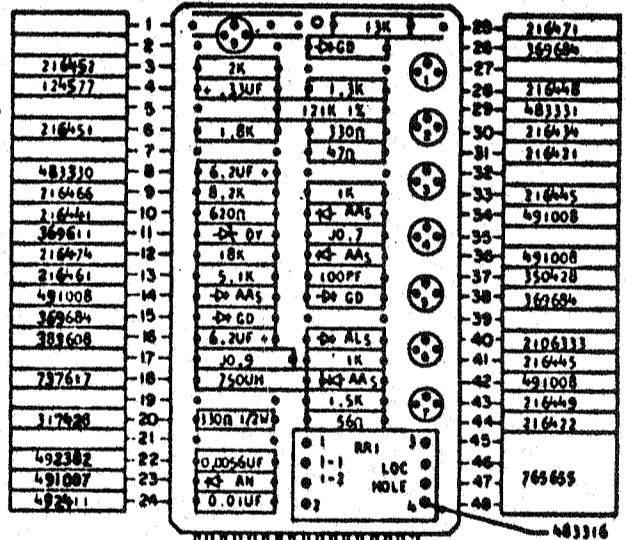
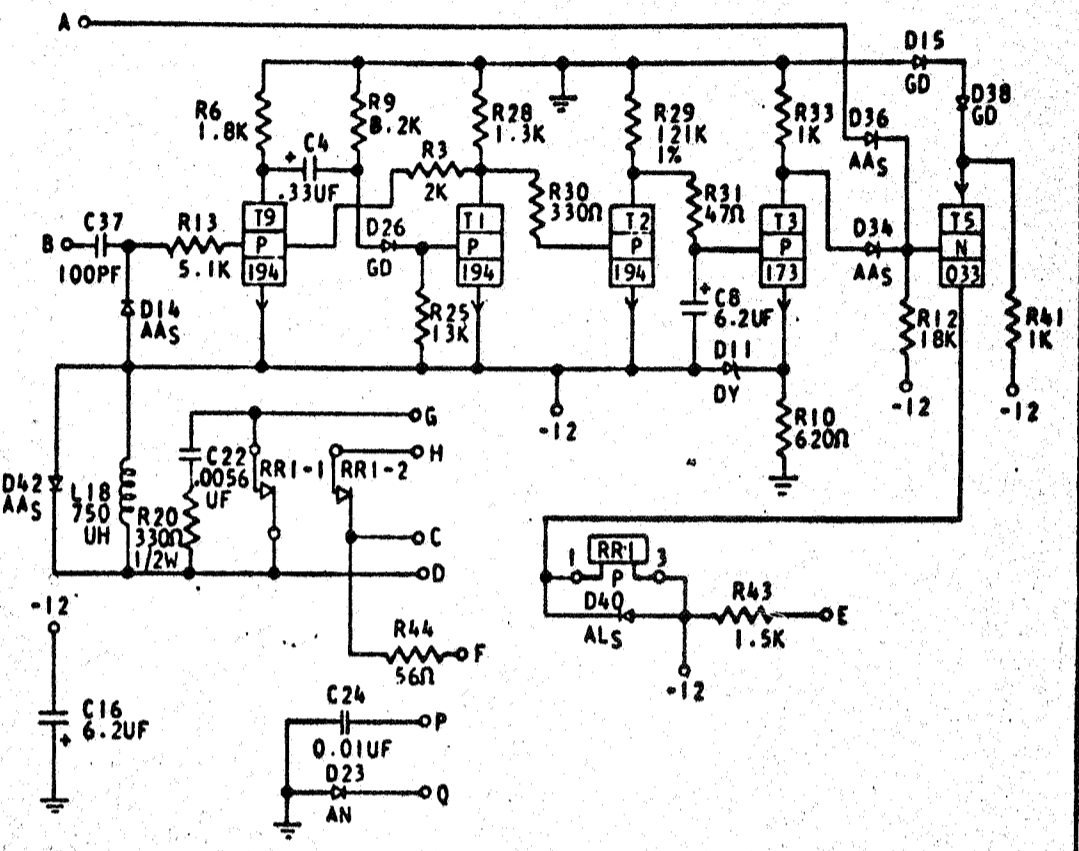
FROM	TO
C	-36 OR -48
H	UNIV INTEGRATOR WITH "P" OR "N" OUTPUT

C. FOR DRIVING INTO DDTL LOGIC, CONNECT THE FOLLOWING:

FROM	TO
E	C
H	O
O	P

DRIVE FROM PIN H

PIN	SIGNAL NAME	WAVE SHAPE	LEVELS	
			MIN	MAX
A ONLY	DIODE INPUT		UP	-0.81 +6.27
			DOWN	-3.0 -15
G	RRI-1 OUTPUT		UP	-- --
A TO B	INPUT		POS. GOING SHIFT	5.1 13.20
B-G	RRI-1 OUTPUT		DOWN	-11.00 -12.48



CIRCUIT AND PACKAGING STANDARD	
APPROVAL	DATE

INTERNATIONAL BUSINESS MACHINES CORP.	DATE	CHANGE NO.	APPROVAL	DATE	CHANGE NO.	APPROVAL	DEVELOPMENT NO.
NAME CARD ASSEMBLY TSTR - ETM	9-20-63	117898					740601
DELAY CIRCUIT		161263	TA/RA/C				
DESIGN	FVL	B-8-61					
DETAIL	FVL	B-8-61					
CHECK							
APPROV	CMS	B-9-61					

18478