

0729809

DELTA CYCLE CONTROL

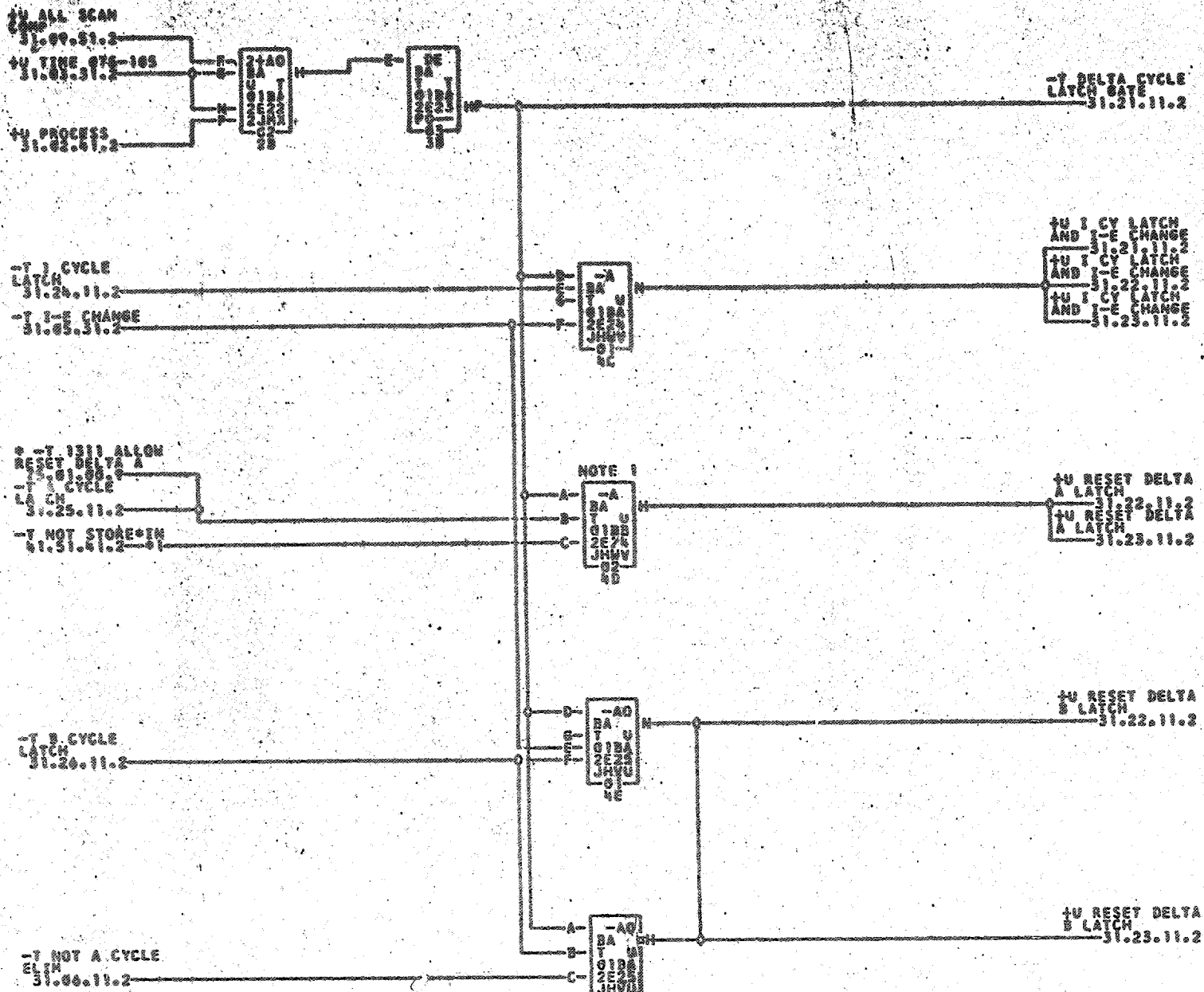
1401

31.20.11.2

TAG DATE

A 5.4.62
TA 1233B

B 6.3.63
TA 1771A



01-0182A028

NOTE 1: A CYCLE LATCH SIGNAL IS REMOVED WITH 1311 FEATURE ATTACHED.
 NOTE: ASTERISK PRECEDING SIGNAL INDICATES DIRECT CABLE EXPANSION.

TAG DATE	FIG. NO.	TAG DATE	FIG. NO.	TAG DATE	E.C. NO.	TAG DATE	E.C. NO.
A 12-15-61	115534	B 12-18-62	116178				

729069

1771A