

8728943

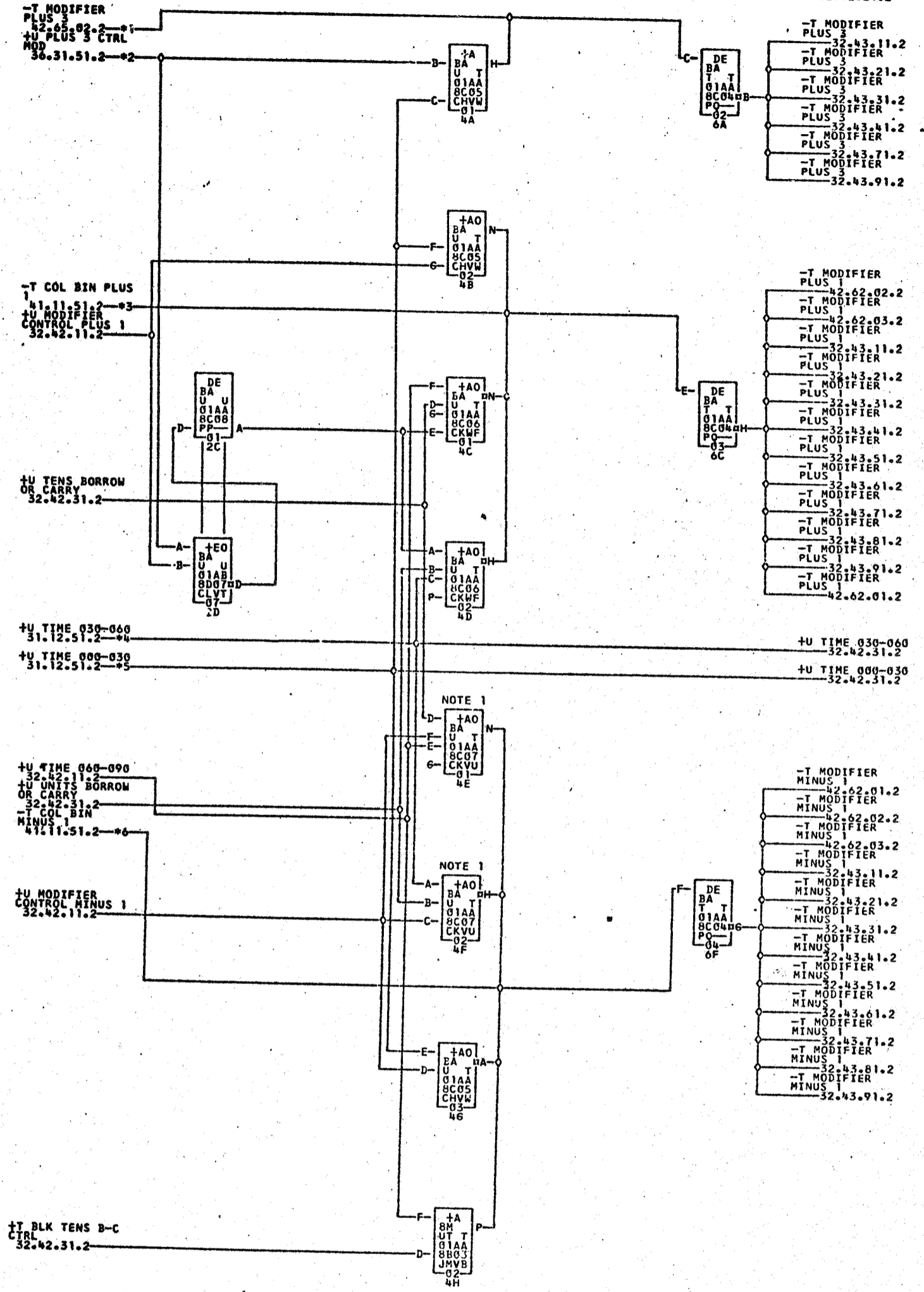
MODIFIER CONTROLS II MOD+341-1

1401 BA 32.42.21.2

TAG. DATE

A 5.4.62
TA 1233B

B 25.3.63
TA 1795



- T MODIFIER PLUS 3 32.43.11.2
- T MODIFIER PLUS 3 32.43.21.2
- T MODIFIER PLUS 3 32.43.31.2
- T MODIFIER PLUS 3 32.43.41.2
- T MODIFIER PLUS 3 32.43.71.2
- T MODIFIER PLUS 3 32.43.91.2

- T MODIFIER PLUS 1 42.62.02.2
- T MODIFIER PLUS 1 42.62.03.2
- T MODIFIER PLUS 1 32.43.11.2
- T MODIFIER PLUS 1 32.43.21.2
- T MODIFIER PLUS 1 32.43.31.2
- T MODIFIER PLUS 1 32.43.41.2
- T MODIFIER PLUS 1 32.43.51.2
- T MODIFIER PLUS 1 32.43.61.2
- T MODIFIER PLUS 1 32.43.71.2
- T MODIFIER PLUS 1 32.43.81.2
- T MODIFIER PLUS 1 32.43.91.2
- T MODIFIER PLUS 1 42.62.01.2

- T MODIFIER MINUS 1 42.62.01.2
- T MODIFIER MINUS 1 42.62.02.2
- T MODIFIER MINUS 1 42.62.03.2
- T MODIFIER MINUS 1 32.43.11.2
- T MODIFIER MINUS 1 32.43.21.2
- T MODIFIER MINUS 1 32.43.31.2
- T MODIFIER MINUS 1 32.43.41.2
- T MODIFIER MINUS 1 32.43.51.2
- T MODIFIER MINUS 1 32.43.61.2
- T MODIFIER MINUS 1 32.43.71.2
- T MODIFIER MINUS 1 32.43.81.2
- T MODIFIER MINUS 1 32.43.91.2

*1-01A8B25D *2-01A8C25P *3-01A8D24M *4-01A8F24N *5-01A8E25D
 *6-01A8D240 06B7A15D

1795
728943

NOTE 1 IF 1406 COMMENTS
 IS ATTACHED A
 CKWF-37270 MUST BE PLUGGED
 IN LOCATION C07

TAG. DATE	E.C.NO.	TAG. DATE	E.C.NO.	TAG. DATE	E.C.NO.	TAG. DATE	E.C.NO.
A 12-18-61	113530	B 12-19-62	11417C				