

0729063

A CYCLE ELIMINATION

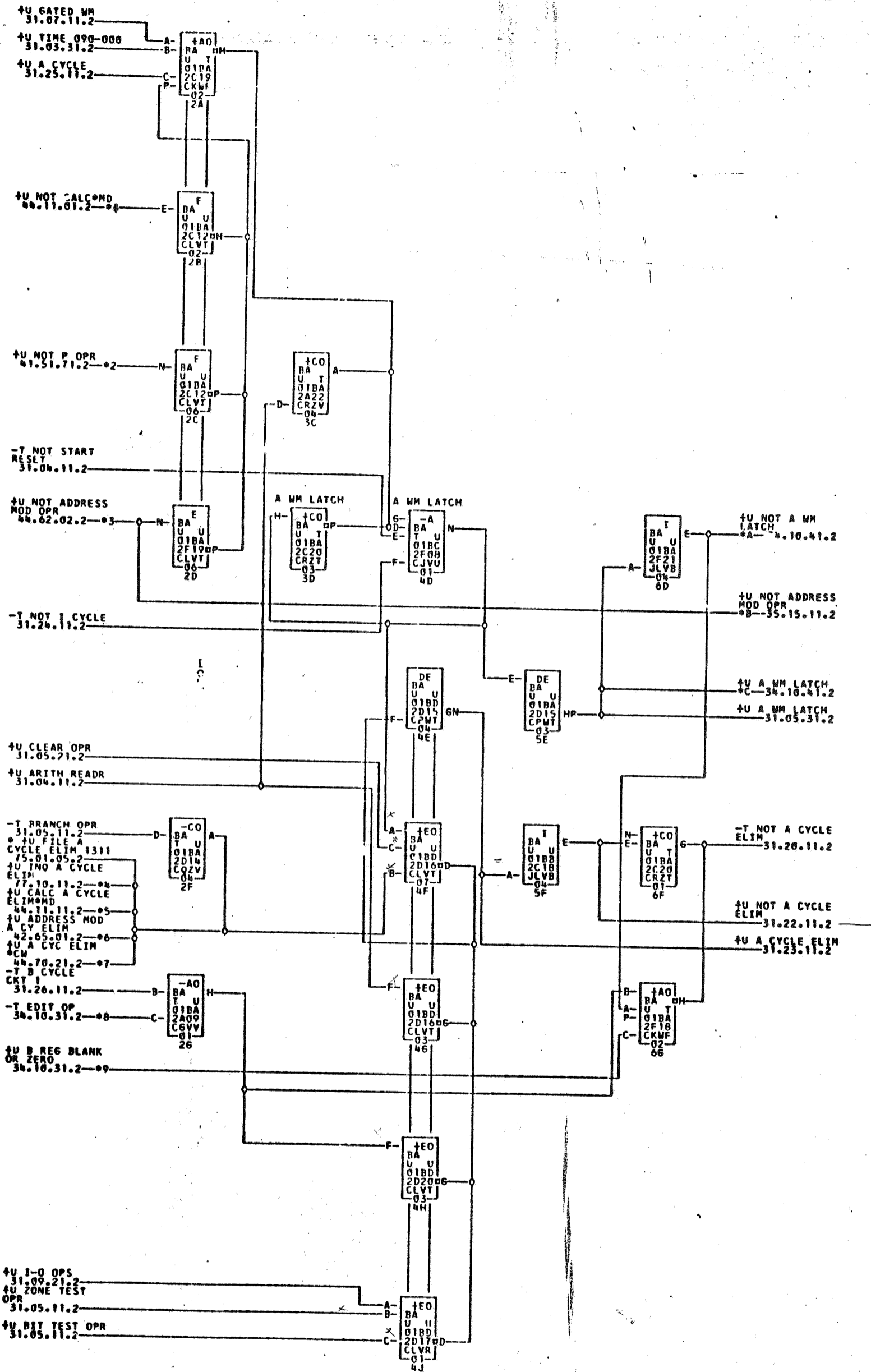
1401

31.06.11.2

TAG DATE

C 30.8.62  
TA 1441

D 5.3.63  
TA 1771A



- \*1-01B2A03A      \*2-01B2A02M      \*3-01B2B02J      \*4-01B8A0BV      \*5-01B2F05C      \*6-01B2A03E
- \*6-01B2E05M      \*7-01B2A02Q      \*7-01B2B02Q      \*8-02A0E03E      \*8-01B2E01D      \*9-01B2E03K
- \*A-01B2E03H      \*8-01B2D04J      \*8-01B2D04J      \*9-01A3D25J      \*C-01B2E03J      \*9-01B6E01J

729063

COMMENTS  
NOTE ASTERISK PRECEDING SIGNAL  
INDICATES DIRECT CABLE EXPANSION

TAG DATE	E.C.NO.	TAG DATE	E.C.NO.	TAG DATE	E.C.NO.	TAG DATE	E.C.NO.
A 12-15-61	113530	B 03-05-62	114127	C 06-13-62	114149	D 12-10-62	116128