

0729106

STOR. CLOCK PULSES R2 R3 STROBE A

1401 BA

31.12.93.2

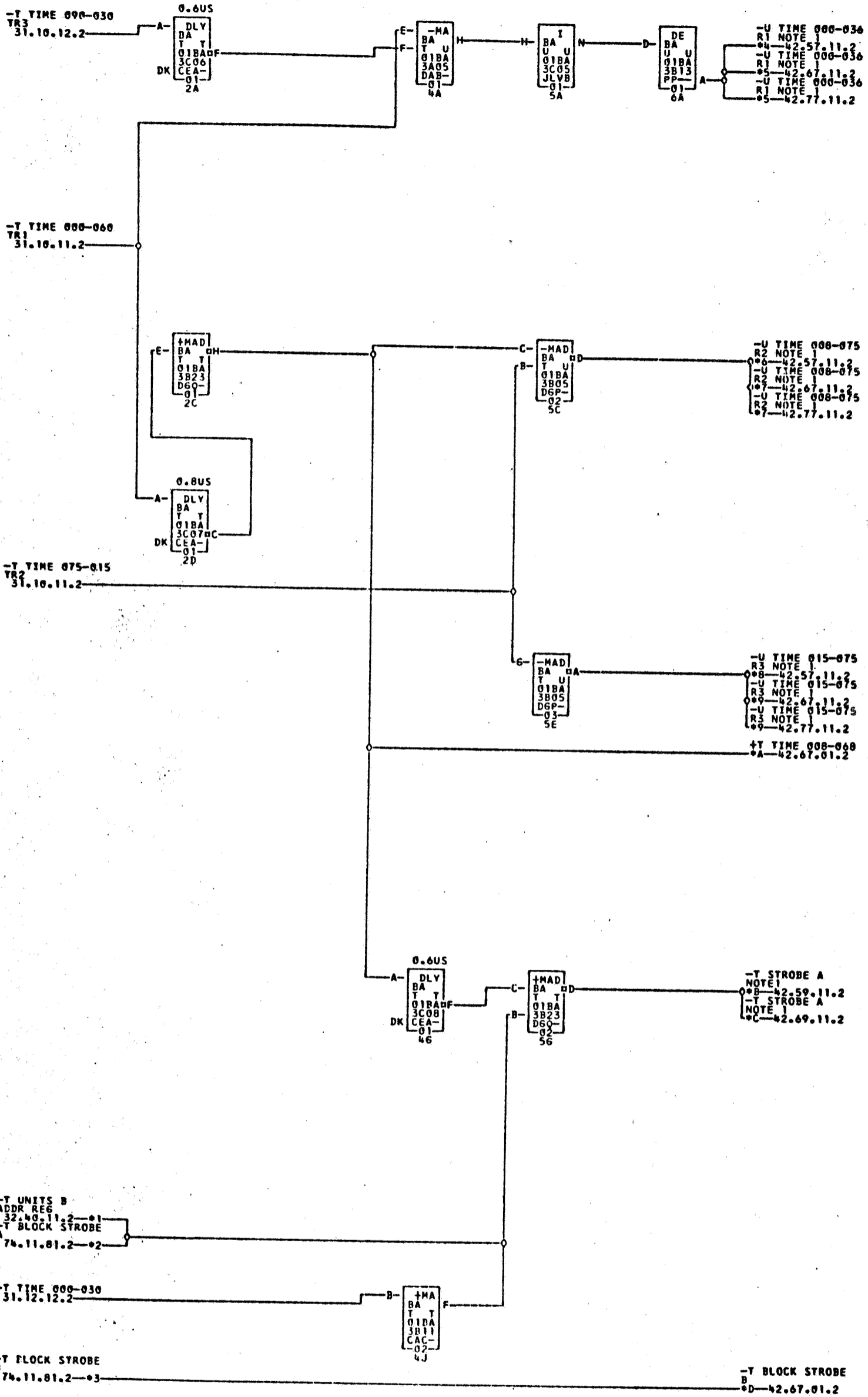
TAG DATE

A 5.4.62

TA 1233B

B 5.3.63

TA 1771A



*1-01B3A03K
 06B7A13P
 01A1F02C
 01A1F02D

*2-01B3E01D
 01B3A02B
 01B3F03R
 01B3A016

*3-01B3E010
 01A1F02B
 06B7A13R
 06B7A166

*4-01B3A02A
 01B3F03Q
 01B3A01M
 01B3F03F

01A1F02A
 06B7A13Q
 06B7A16H
 06B7A13F

*5-01B3F03P
 01B3A02C
 01B3A02D
 06B4E01F

NOTE 1 TIMING AND ALLOWABLE TOLERANCES OF STORAGE PULSES ARE FOUND ON REFERENCE LOGIC 42.40.53.2

TAG DATE	E.C.NO.	TAG DATE	E.C.NO.	TAG DATE	E.C.NO.
A 12-18-61	113530	B 12-10-62	114178		

729104