

0724661

PUNCH CB GENERATION

1401

36.21.11.2

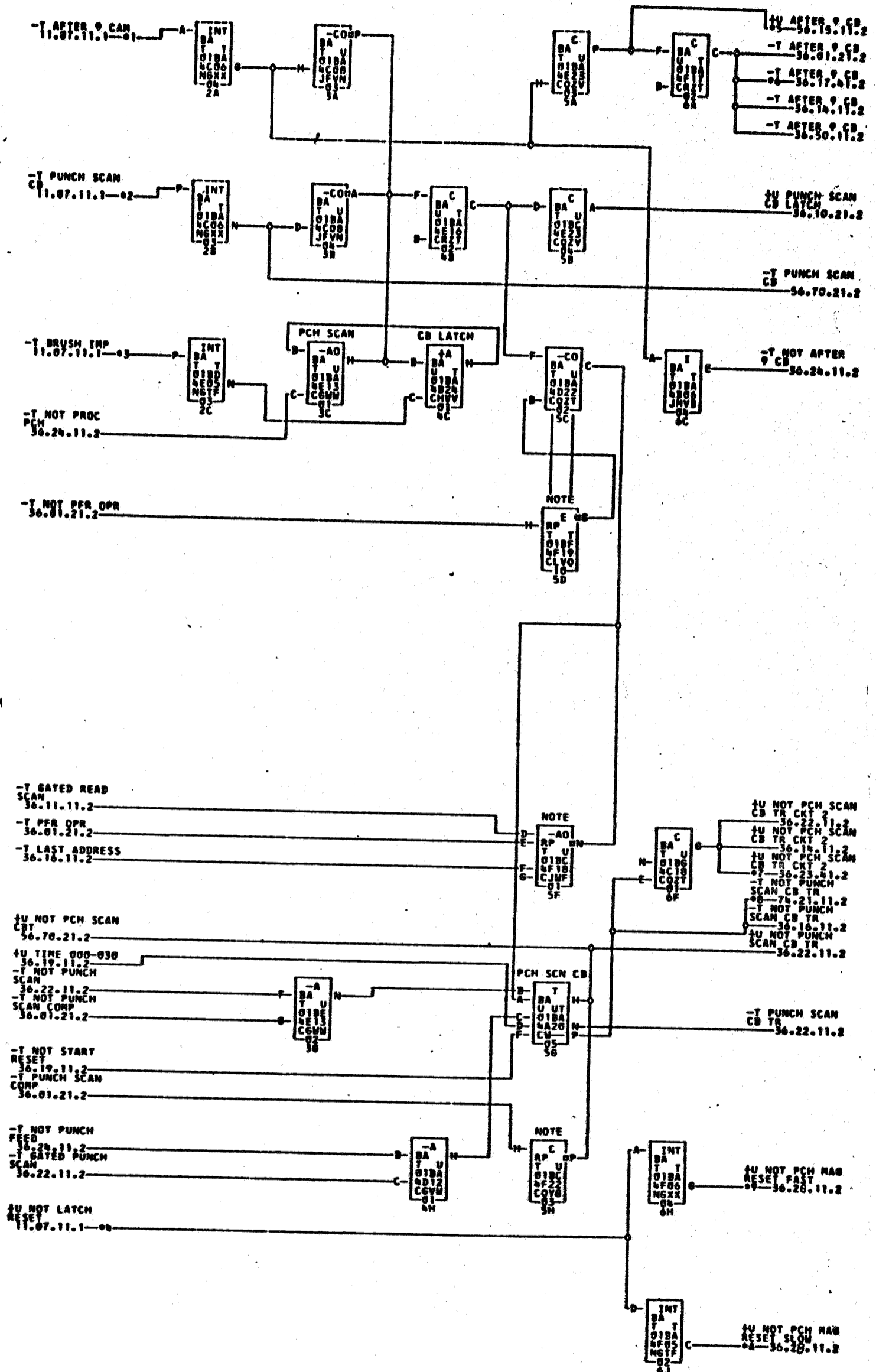
TAG DATE

F 18.4.63

TA 1815A

G 18.6.63

TA 1859



- 01-0184001A 02-0184001B 03-0184001C 04-0184001D 05-0184001E 06-0184001F
- 07-0184001G 08-0184001H 09-0184001I 10-0184001J 11-0184001K 12-0184001L
- 13-0184001M 14-0184001N 15-0184001O 16-0184001P 17-0184001Q 18-0184001R
- 19-0184001S 20-0184001T 21-0184001U 22-0184001V 23-0184001W 24-0184001X
- 25-0184001Y 26-0184001Z 27-0184001AA 28-0184001AB 29-0184001AC 30-0184001AD
- 31-0184001AE 32-0184001AF 33-0184001AG 34-0184001AH 35-0184001AI 36-0184001AJ
- 37-0184001AK 38-0184001AL 39-0184001AM 40-0184001AN 41-0184001AO 42-0184001AP
- 43-0184001AQ 44-0184001AR 45-0184001AS 46-0184001AT 47-0184001AU 48-0184001AV
- 49-0184001AW 50-0184001AX 51-0184001AY 52-0184001AZ 53-0184001BA 54-0184001BB
- 55-0184001BC 56-0184001BD 57-0184001BE 58-0184001BF 59-0184001BG 60-0184001BH
- 61-0184001BI 62-0184001BJ 63-0184001BK 64-0184001BL 65-0184001BM 66-0184001BN
- 67-0184001BO 68-0184001BP 69-0184001BQ 70-0184001BR 71-0184001BS 72-0184001BT
- 73-0184001BU 74-0184001BV 75-0184001BW 76-0184001BX 77-0184001BY 78-0184001BZ
- 79-0184001CA 80-0184001CB 81-0184001CC 82-0184001CD 83-0184001CE 84-0184001CF
- 85-0184001CG 86-0184001CH 87-0184001CI 88-0184001CJ 89-0184001CK 90-0184001CL
- 91-0184001CM 92-0184001CN 93-0184001CO 94-0184001CP 95-0184001CQ 96-0184001CR
- 97-0184001CS 98-0184001CT 99-0184001CU 100-0184001CV

NOTE-THIS CARD MUST BE PRESENT IF EITHER THE PUNCH FEED READ RP OR THE CARD FEED COMP CFC FEATURE IS PRESENT

TAG DATE	F.C. NO.	TAG DATE	F.C. NO.	TAG DATE	F.C. NO.	TAG DATE	F.C. NO.
A 12-08-61	115300	F 01-19-63	116730A	C 02-14-63	117242A	D 05-10-62	115300
E 18-25-62	116927			G 02-28-63	117148		

724661