

0724635

CARR STOP TR AND START SS

1401 BA

36.48.21.2

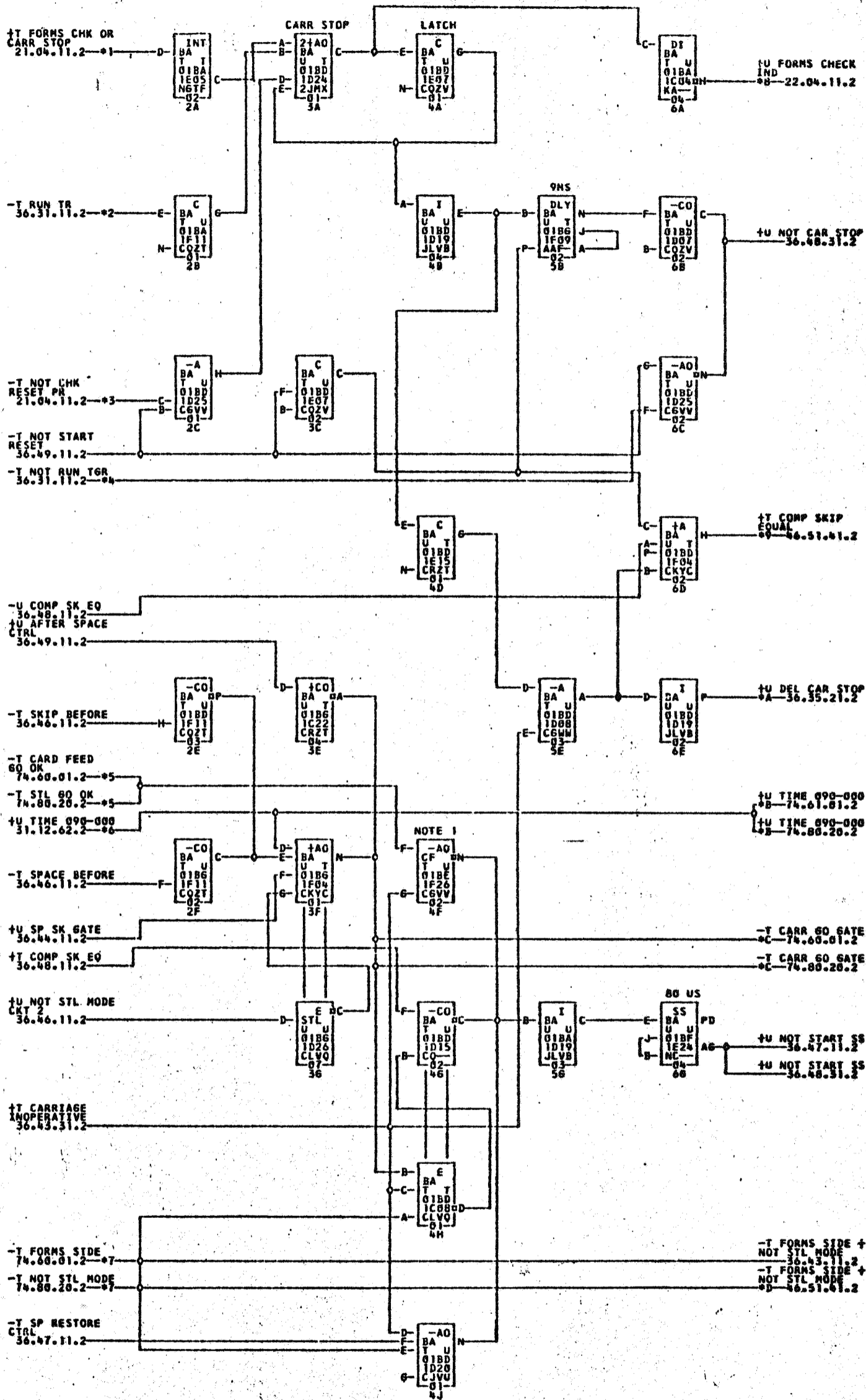
TAG DATE

F 7.2.63

TA 1735A

G 16.4.63

TA 1815A



*1-01B1F01P
*7-01B1F02M
*C-01B1F02E

*2-01B1E03M
*B-01B1E03B
*2A9A13D

*3-01B1E03F
*9-01B1D03K
*2B8D02E

*4-01B1E03L
*A-01B1E03E
*D-01B1F03R

*5-01B1F02P
*B-01B1D03P
*1A5C25R

*6-01B1D03E
*1A5B25P

NOTE 1-CARD MUST BE PLUGGED FOR BOTH CF AND STL FEATURES

TAG DATE	F.C.NO.	TAG DATE	F.C.NO.	TAG DATE	F.C.NO.	TAG DATE	F.C.NO.
A 12-04-61	113249C	B 01-16-62	113530A	C 02-22-62	114126A	D 04-05-62	116132A
E 07-26-62	116228	F 12-12-62	116778	G 01-14-63	116789		

724635

1815 A