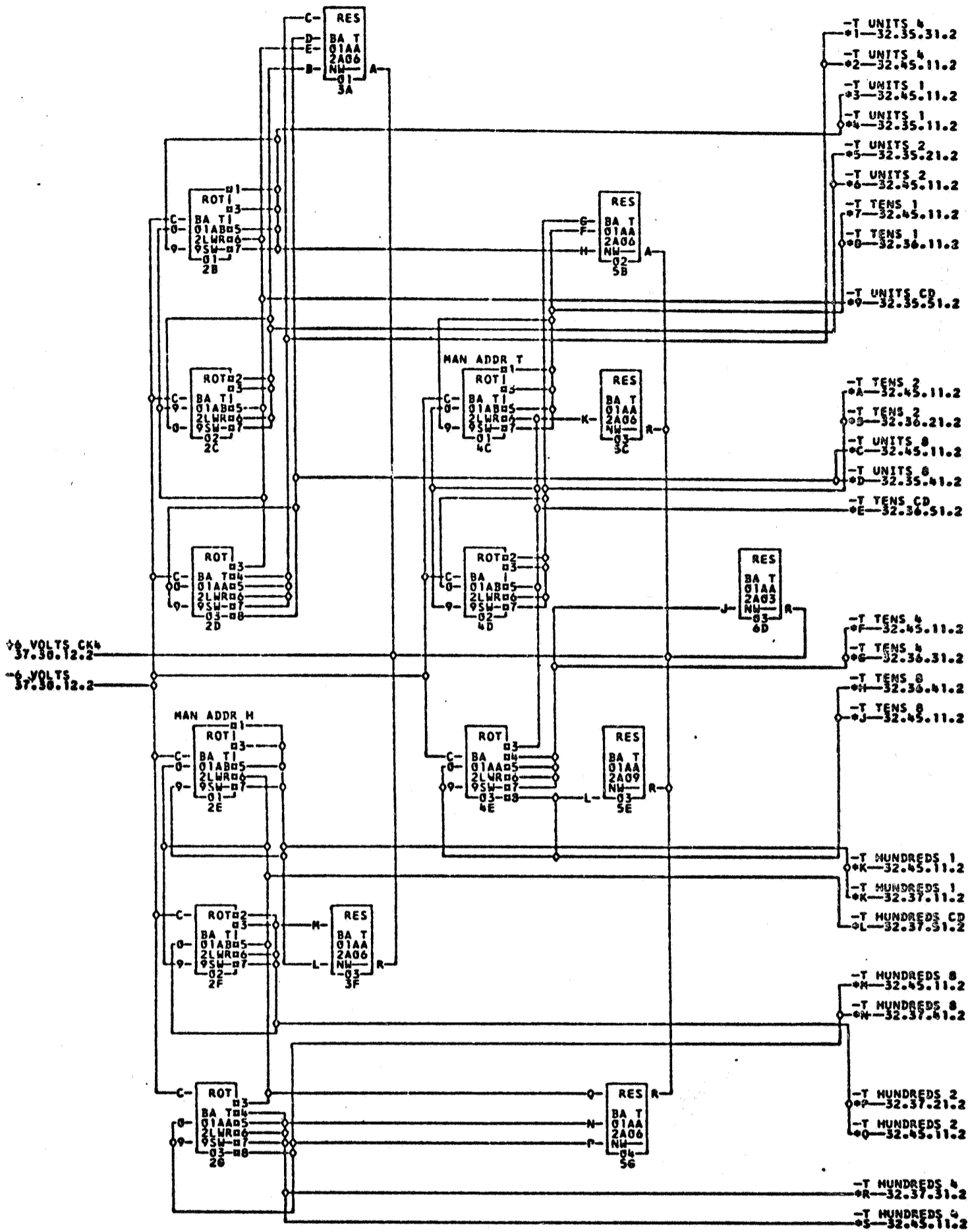


A 5.4.62  
TA 1233B

B 16.4.63  
TA 1815A



- |             |          |             |          |             |          |
|-------------|----------|-------------|----------|-------------|----------|
| *1-01A2A05C | 01A7E26C | *2-01A2A05C | 01A8F25C | *3-01A2A05A | 01A8F25A |
| *4-01A2A05A | 01A7E26A | *5-01A2A05B | 01A7E26B | *6-01A2A05B | 01A8F25B |
| *7-01A2A05F | 01A8F25F | *8-01A2A05F | 01A7E26F | *9-01A2A05E | 01A8F25E |
| *A-01A2A05G | 01A7E26G | *B-01A2A05G | 01A7E26G | *C-01A2A05D | 01A8F25D |
| *D-01A2A05D | 01A7E26D | *E-01A2A05H | 01A7E26H | *F-01A2A05H | 01A8F25H |
| *E-01A2A05M | 01A7E26M | *H-01A2A05J | 01A7E26J | *J-01A2A05J | 01A8F25J |
| *K-01A2A05L | 01A8F25L | *L-01A2A05K | 01A7E26K | *M-01A2A05K | 01A8F25K |
| *L-01A2A05N | 01A7E26N | *N-01A2A05L | 01A7E26L | *P-01A2A05P | 01A8F25P |
| *M-01A2A05P | 01A7E26P | *O-01A2A05M | 01A7E26M | *Q-01A2A05M | 01A8F25M |
| *R-01A2A05M | 01A7E26M | *S-01A2A05N | 01A7E26N |             |          |

COMMENTS TAG DATE E.C.NO. TAG DATE E.C.NO. TAG DATE E.C.NO. TAG DATE E.C.NO.

A 12-15-61 113530 B 01-22-63 114177A

728709