

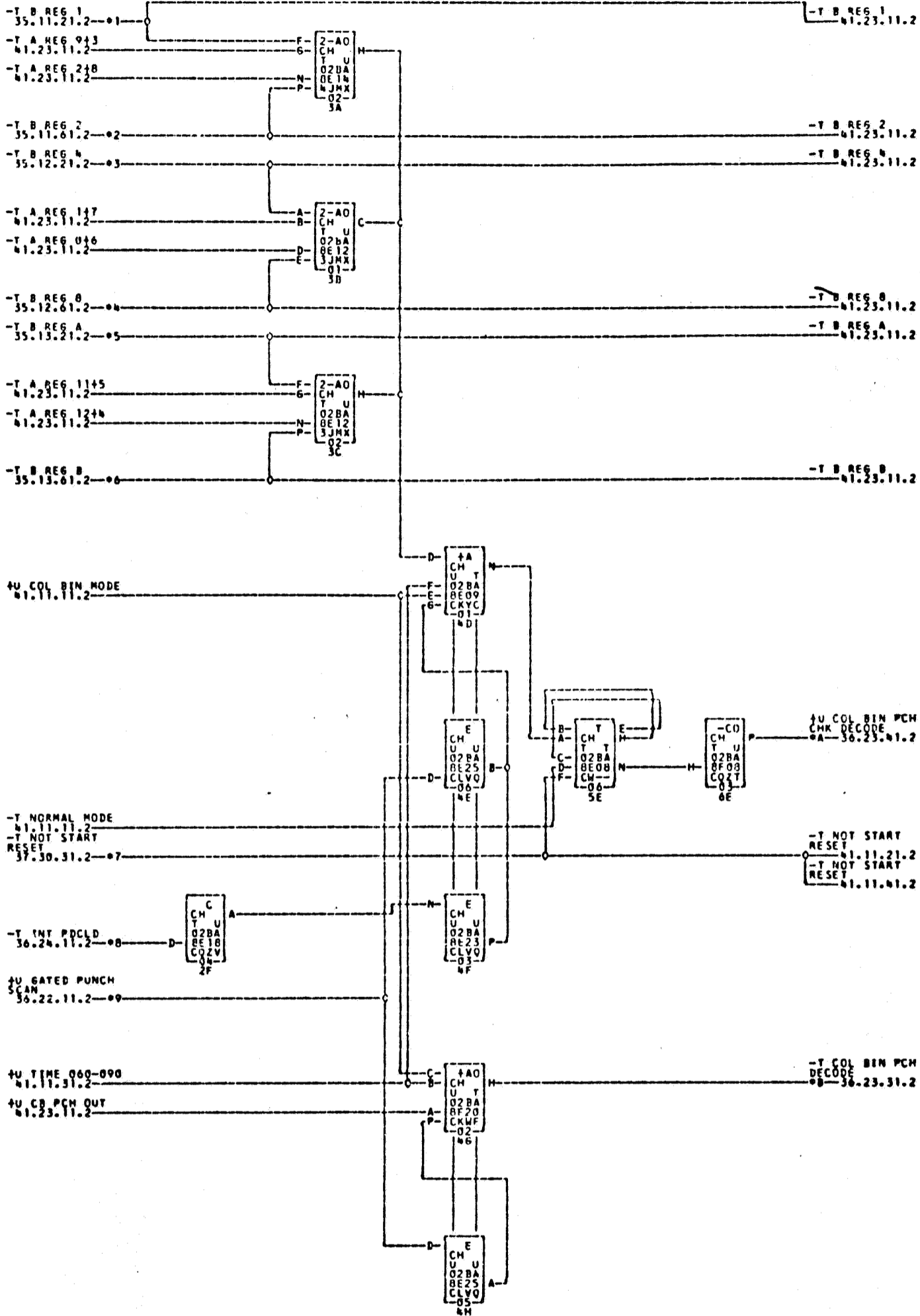
0723642

COL BIN PCM DECODE+ MOLE COUNT

1401 CH

41.23.21.2

TAG DATE



A 22.9.61
TA 37699E

B 18.10.61
TA 37699H

B

C

D

E

F

G

H

- *1—0288E02K *2—0288E02L *3—0288E02J *4—0288E02P *5—0288E02M *6—0288E02G
- *7—0288E01N *8—0288E01M *9—0288E02P *A—0288E03D *B—0288E01E *C—01B7D01P
- *D—0288E01R *E—0288E01V

792049

COMMENTS

TAG DATE	E.C.NO.	TAG DATE	E.C.NO.	TAG DATE	E.C.NO.	TAG DATE	E.C.NO.
A 05-27-61	118320E	B 09-11-61	118320G				

COM