

0723643

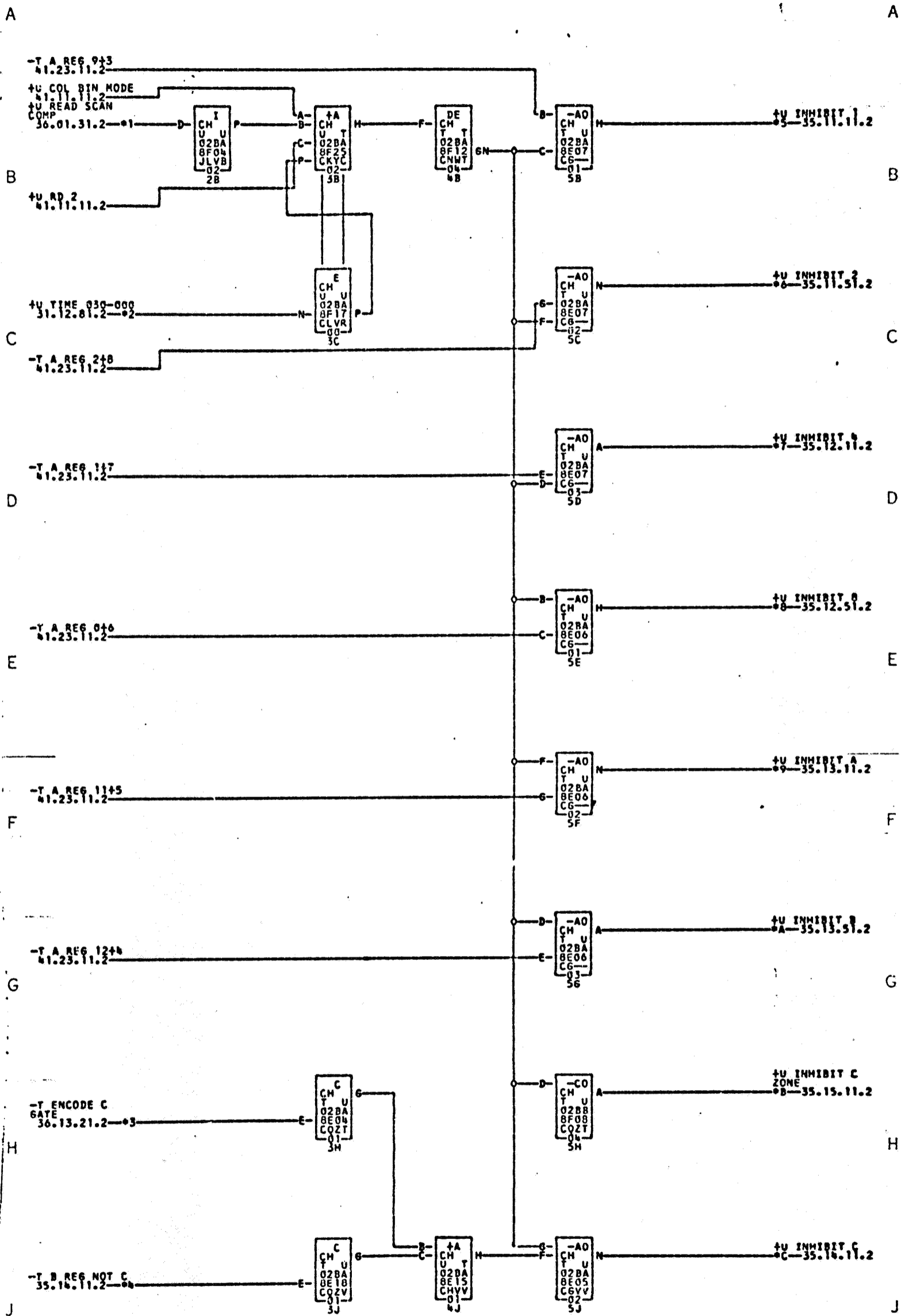
COL BIN READ ENCODE

1401 CH

41.23.31.2

TAG DATE

B 8.2.62
TA 1143A



- *1—02B8F01E *2—02B8E03F *3—02B8F01P *4—02B8E01Q *5—02B8E01F ————02A0DC5D
- 01A3D23F ————02B8E01E ————02A0D03B ————01A3D23E *7—02B8E01D ————02A0D01B
- 01A3D23D *6—02B8E01C ————02A0C19B ————01A3D23C *8—02B8E01B ————02A0C17B
- 01A3D23B *A—02B8E01A ————02A0C15B ————01A3D23A *9—02B8E01A ————02A0D09B
- 01A3D23H *C—02B8E01G ————02A0D07B ————01A3D236 *D—02B8E01H

COMMENTS

TAG DATE	E.C.NO.	TAG DATE	E.C.NO.	TAG DATE	E.C.NO.	TAG DATE	E.C.NO.
A 05-27-61	110320E	B 11-10-61	112913				

723643