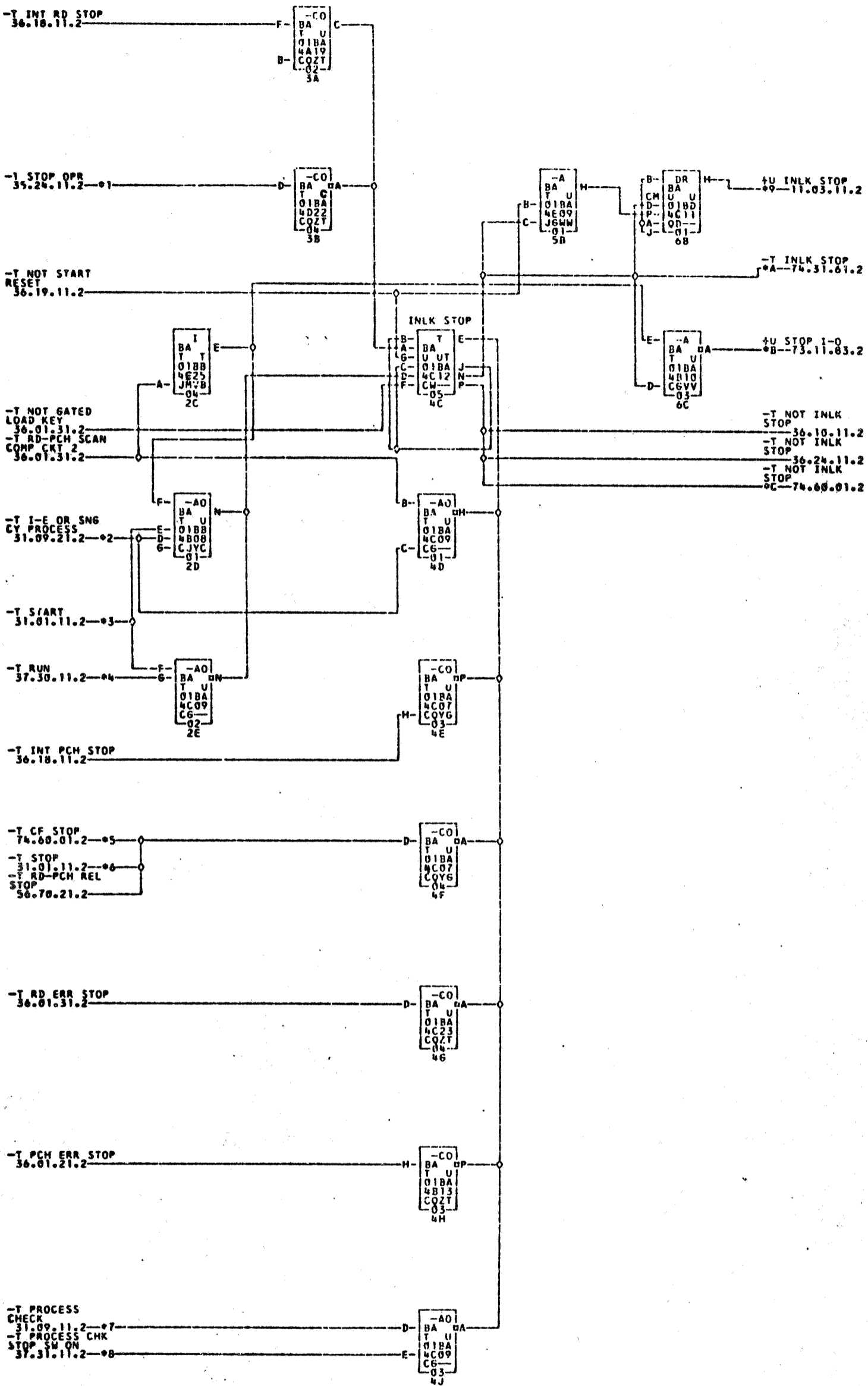


C 7.2.63
TA 1735A

D 16.4.63
TA 1815A



- *1-01B4D03J
- *2-01B4E01C
- *3-01B4B01C
- *4-01B4A03R
- *5-01B4F040
- *6-01B4B01E
- *7-01B4B01H
- *8-01B4A03Q
- *9-01B4C02B
- *A-01B4F040
- *B-01B4F040
- *C-01B4E04D
- *D-02A9A01D
- *E-02B8D03D

724648

COMMENTS TAG DATE E.C.NO. TAG DATE E.C.NO. TAG DATE E.C.NO. TAG DATE E.C.NO.

A 12-06-61 112269F B 12-20-61 112269G C 10-25-62 116727 D 01-17-63 116787