

0728809

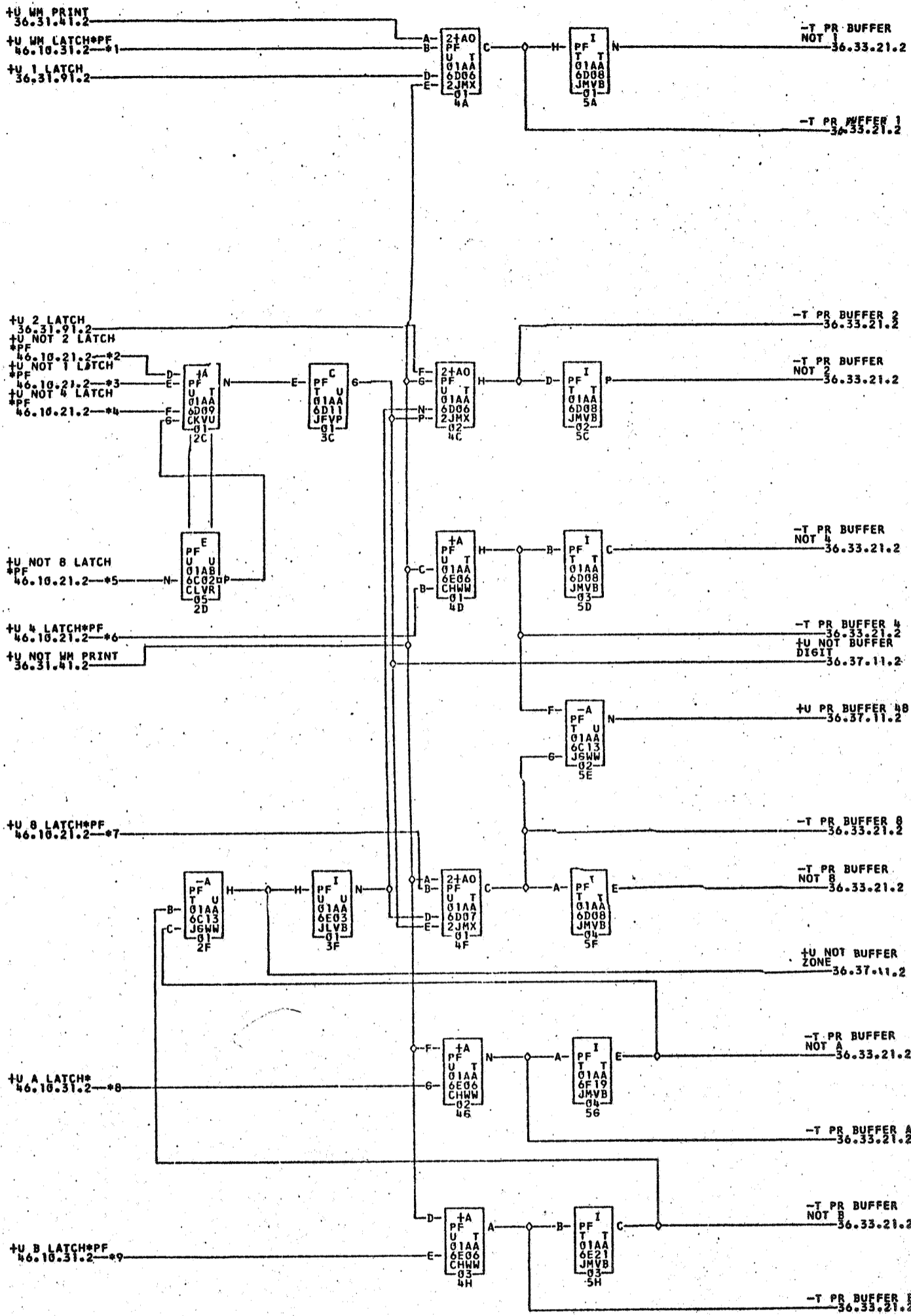
BUFFER REGISTER ADJUST PRINT

1401 PF .36.33.11.2

TAG DATE

A 5.4.62
TA 1233B

B 25.3.63
TA 1795



- *1—01A6B24G
- *2—01A6B24J
- *3—01A6B24H
- *4—01A6B24K
- *5—01A6B24L
- *6—01A6B24C
- *7—01A6B24D
- *8—01A6B24E
- *9—01A6B24F

COMMENTS

TAG DATE	E.C.NO.	TAG DATE	E.C.NO.	TAG DATE	E.C.NO.	TAG DATE	E.C.NO.
A 12-18-61	113530	B 12-19-62	114177B				

728809
1795