

8728614

SINGLE CYCLE PRINT CONTROLS

1461 PF

36.35.21.2

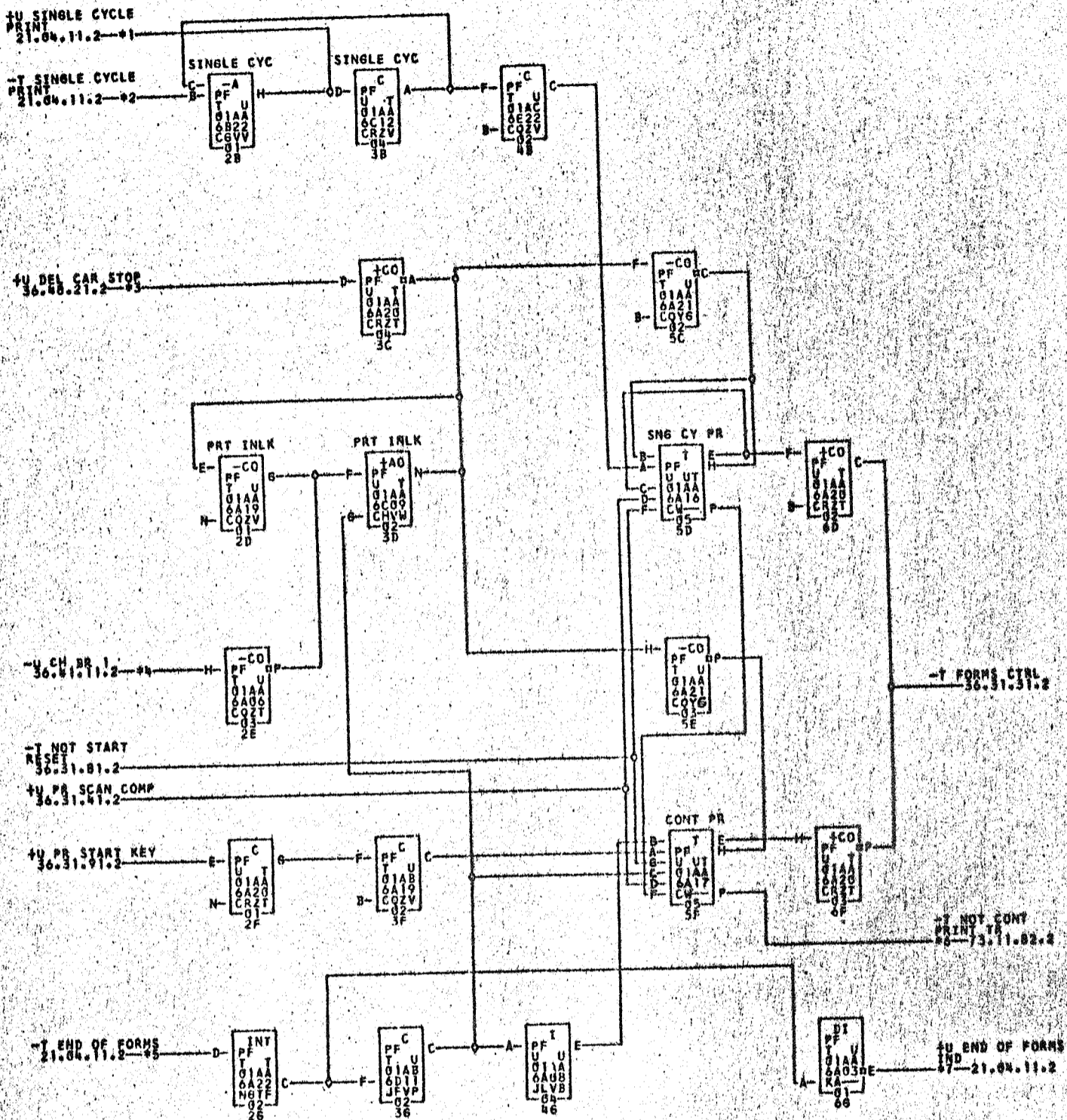
TAG DATE

B 30.8.69

TA 1441

C 25.3.63

TA 1795



*1-01A6A26P
*1-01A6A26Q

*2-01A6A26R

*3-01A6D24B

*4-01A6D24E

*5-01A6A26M

*6-01A6F25H

COMMENTS

TAG DATE 12-18-61 FIG NO. 113538

TAG DATE 06-04-62 FIG NO. 116107

TAG DATE 12-19-62 FIG NO. 116198

TAG DATE 8.C.NO.

018971