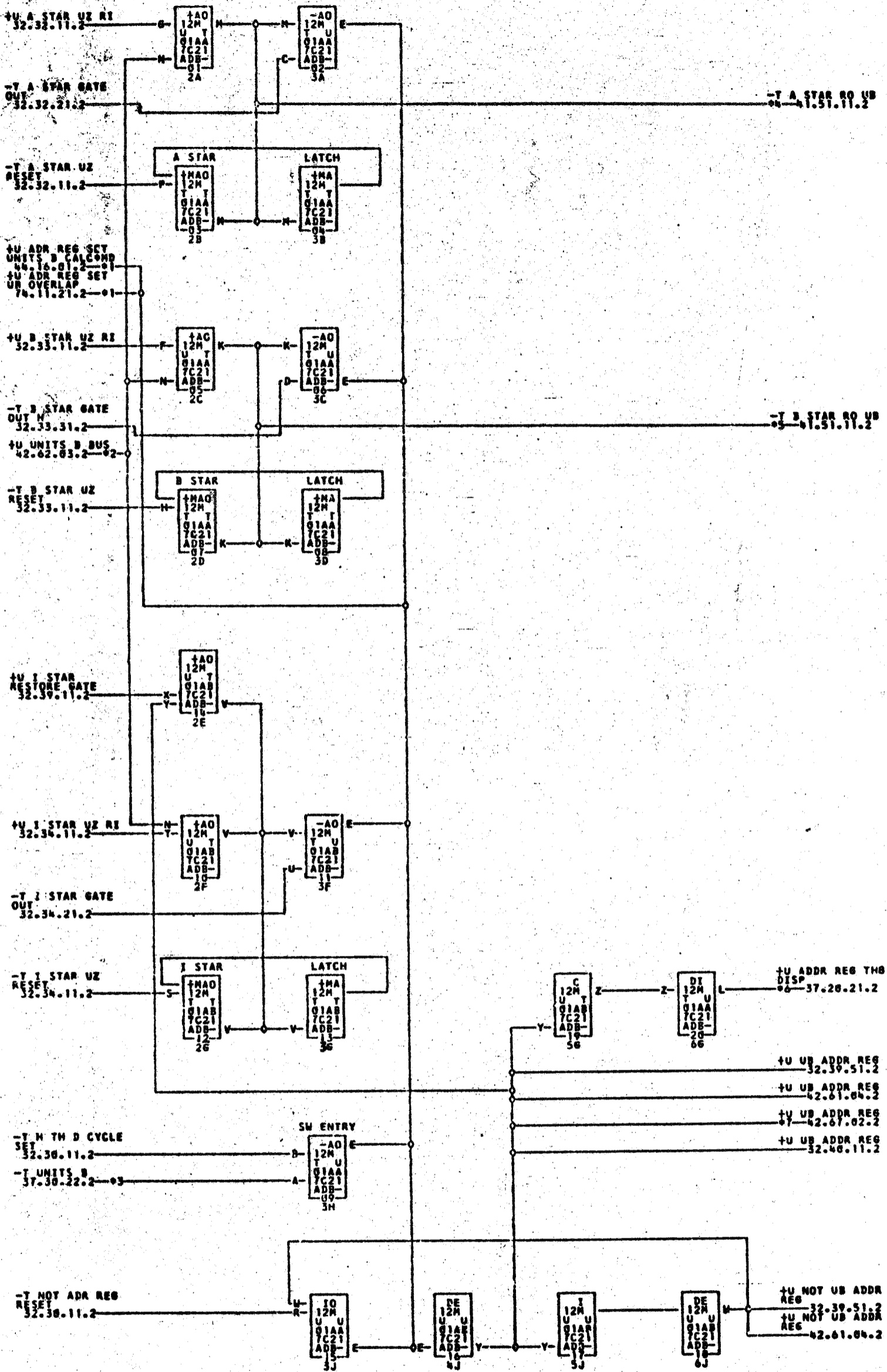


A 28.5.62
TA 1344

B 12.3.63
TA 1775



*1-01A7E23C
 02A9B09F
 02B0E02F
 06B7A06K

*2-01A7E20Q
 02B0E02E
 01A7B26R

*3-01A7E23E
 01A7E23H
 01A0D25R

*4-01A7E23J
 01A0B26H
 01A0C24Q

01A0B26J
 01A0C24E
 01A2A62Q

01A0C24E
 02A9B11F
 01A7F23K

COMMENTS

TAG DATE E.C.NO. TAG DATE E.C.NO. TAG DATE E.C.NO. TAG DATE E.C.NO.
 A 12-20-61 1122096 B 12-14-62 116749F

724008