

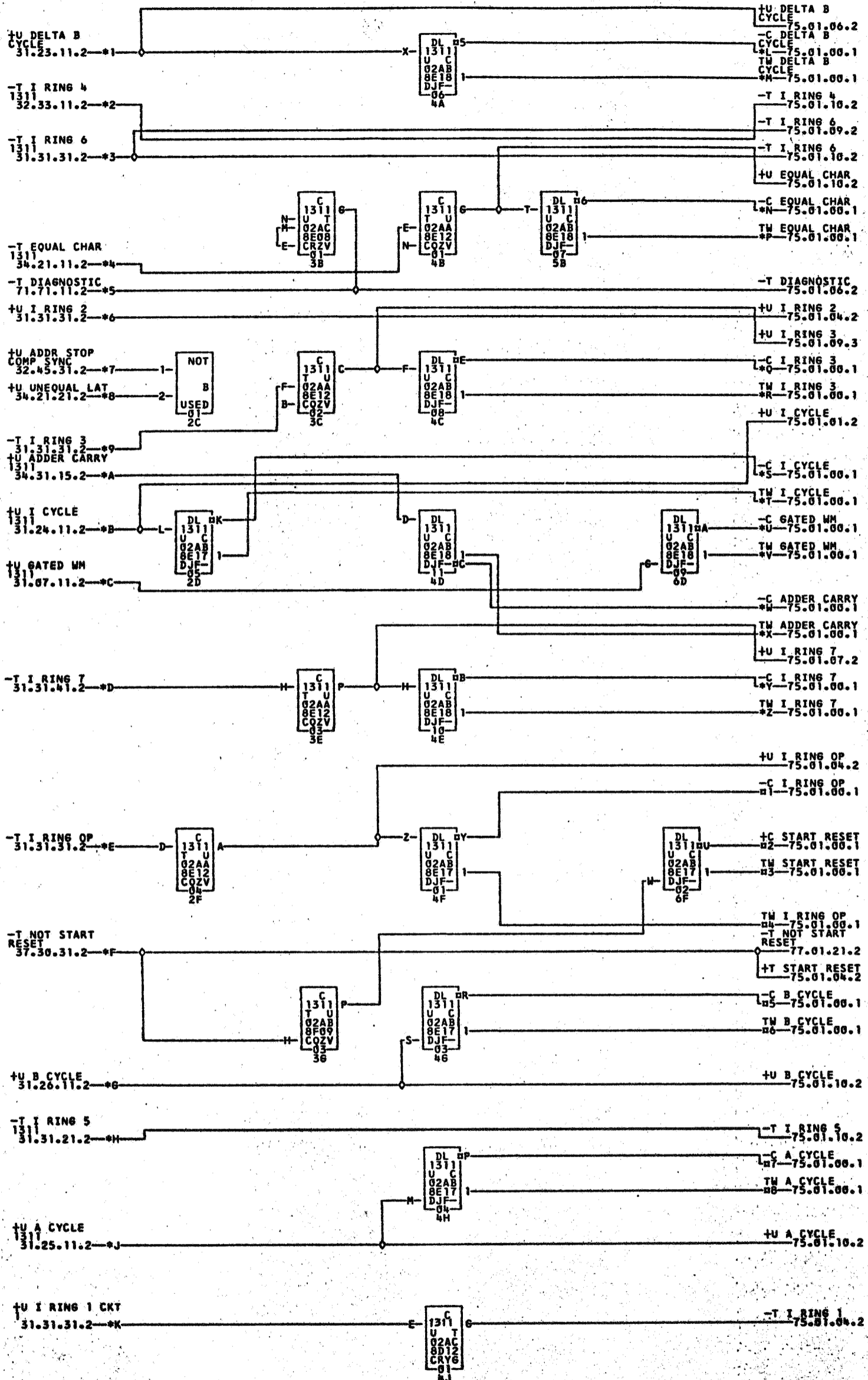
0731915

CONTROL SIGNALS CABLE DRIVE

1401LCF

75.01.03.2  
SHEET 1 OF 2

TAG DATE



A 26.2.63  
TA 1740  
C 21.6.63  
TA 1870A

COMMENTS

TAG DATE E.C.NO. TAG DATE E.C.NO. TAG DATE E.C.NO. TAG DATE E.C.NO.  
 A 11-17-62 116245A B 03-01-63 117181 C 03-26-63 117233

731915

0731915

CONTROL SIGNALS CABLE DRIVE

1401LCP

75.01.03.2  
SHEET 2 OF 2

TAG DATE

*1	02A8F23D	02AJD01J	01B2B036
*2	02A8F21A	01B2E016	
*3	02A8D216	01B2A01F	
*4	02A8F218	01B6B05H	01A2A24E
*5	02A8F24N	02A9J01P	01B2C01M
*6	02A8F23L	02A0J01M	
*7	02A8E230		
*8	02A8F23F	02A9F01R	
*9	02A8F23M	02A0F01D	01B2A01D
*A	02A8D21J	01B3C046	
*B	02A8D21D	01B2C02H	
*C	02A8D21M	01B2B03A	
*D	02A8F23N	02A0F02P	01B2A02P
*E	02A8F23J	02A0F01A	01B2A01A
*F	02A8F23E	02A0E026	01A2A146
*G	02A8F23C	02A0D01K	01B2B03K
*H	02A8D21F	01B2A01E	
*J	02A8D21C	01B2A01K	
*K	02A8F23K	02A0J01N	01B2C01N
*L	02A8F26A	02B5C129	13A1XB16
*M	02A8F26B	02B5C132	13A1XB18
*N	02A8F26C	02B5C135	13A1XC06
*P	02A8F26D	02B5C138	13A1XC11
*Q	02A8F26E	02B5C141	13A1XB20
*R	02A8F26F	02B5C144	13A1XB25
*S	02A8D25E	02B5C115	13A1XB08
*T	02A8D25F	02B5C118	13A1XB13
*U	02A8F266	02B5C147	13A1XC19
*V	02A8F26H	02B5C150	13A1XC24
*W	02A8F26L	02B5C152	13A1XC15
*X	02A8F26M	02B5C163	13A1XC17
*Y	02A8F26J	02B5C153	13A1XC23
*Z	02A8F26K	02B5C156	13A1XB28
B1	02A8F26N	02B5C166	13A1XB19
B2	02A8F26O	02B5C174	13A1XB06
B3	02A8F26R	02B5C177	13A1XB11
B4	02A8F26P	02B5C171	13A1XB24
B5	02A8D25A	02B5C101	13A1XB07
B6	02A8D25B	02B5C104	13A1XB12
B7	02A8D25C	02B5C108	13A1XB22
B8	02A8D25D	02B5C112	13A1XB27

A 26.2.63  
TA 1740  
C 21.6.63  
TA 1870A

COMMENTS

TAG DATE	E.C.NO.	TAG DATE	E.C.NO.	TAG DATE	E.C.NO.	TAG DATE	E.C.NO.
A 11-17-62	116245A	B 03-01-63	117141	C 03-26-63	117233		

731915