

0724973

PROCESS METER

1401

99.99.91.1

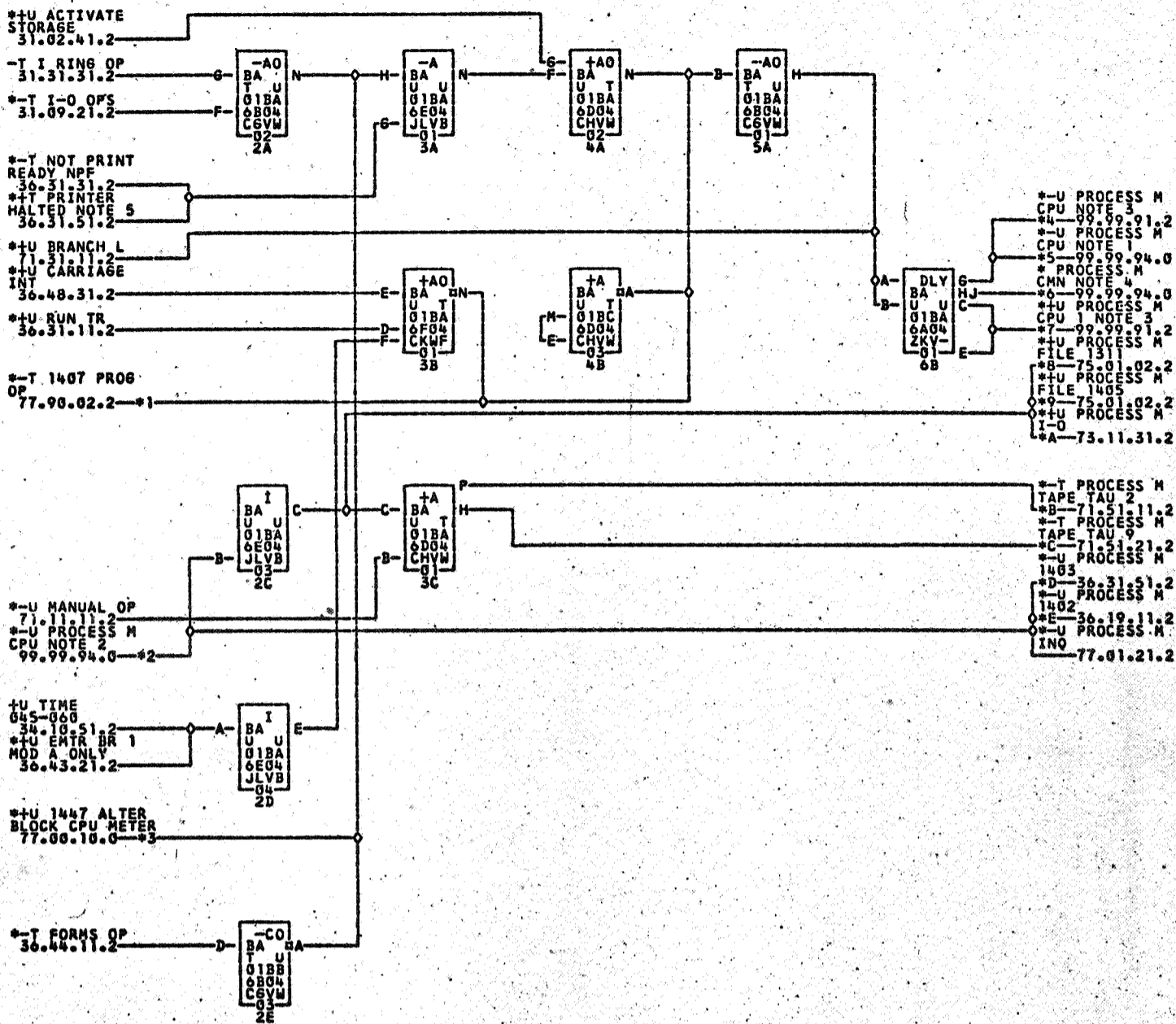
TAG DATE

B 4.2.63

TA 604A

C 5.364

TA 704A



- \*1-01B8A0+W
- \*2-MBT0002
- \*3-01B6B04A
- \*4-01B6A046
- \*5-01B6A046
- \*6-01B8A0+R
- \*7-01B6A04C
- \*8-01A8D08A
- \*9-01B6E04C
- \*A-01B6D04F
- \*B-01B6D04F
- \*C-01B6D04H
- \*D-MBT0002
- \*E-MBT0002
- \*F-01B6E04B
- \*G-01B6E04C
- \*H-01B6D04J
- \*I-01B6D04A
- \*J-01B6D04B
- \*K-01B6D04C
- \*L-01B6D04D
- \*M-01B6D04E
- \*N-01B6D04F
- \*O-01B6D04G
- \*P-01B6D04H
- \*Q-01B6D04I
- \*R-01B6D04J
- \*S-01B6D04K
- \*T-01B6D04L
- \*U-01B6D04M
- \*V-01B6D04N
- \*W-01B6D04O
- \*X-01B6D04P
- \*Y-01B6D04Q
- \*Z-01B6D04R

NOTE1 USED WHEN COMMENTS FROM METER TERMINAL 2 HBT0002  
 NOTE2 USED FOR AUTO-RST FEATURE NOTE 4  
 NOTE3 USED FOR AUTO-RST NOTES  
 SIG PRESENT ONLY ON 20,000 SERIES PE  
 MCHME. SIG PRECD BY \*IND DIR CBL EXPAN.

TAG DATE	E.C.NO.	TAG DATE	E.C.NO.	TAG DATE	E.C.NO.
A 09-11-63	118320D	B 10-11-63	118575P	C 12-02-63	118575X

0724973