

0729205

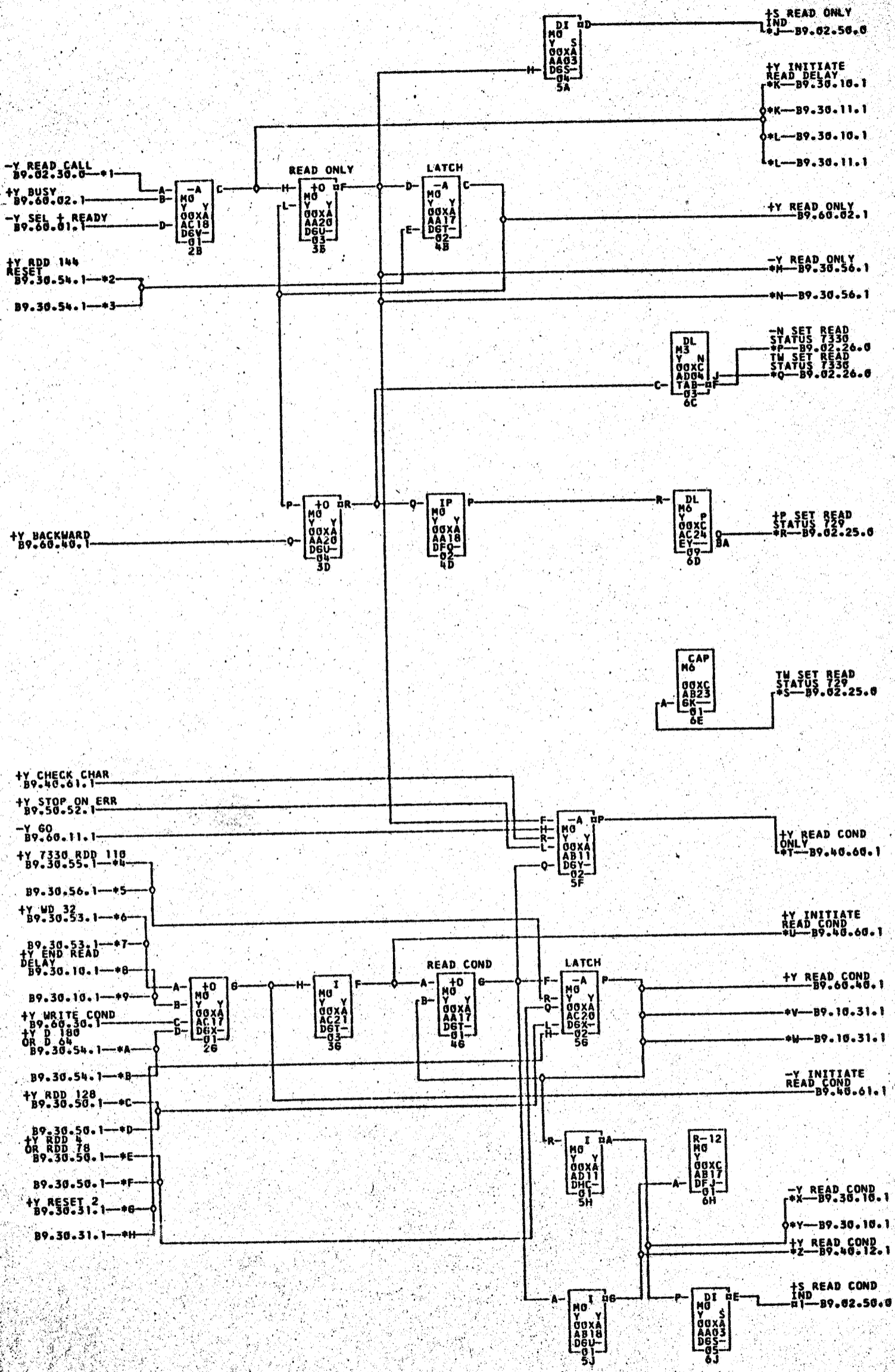
READ CONDITION

TAU 9 B9.60.20.1

TAG DATE

B 14.12.62  
TA 1678A

C 16.4.63  
TA 1815A



- \*1-00XAD026
- \*2-00XAC01H
- \*3-00XAC26H
- \*4-00XAE260
- \*5-00XAF020
- \*6-00XAF02F
- \*7-00XAE26F
- \*8-00XAB01R
- \*9-00XAB26R
- \*A-00XAC01D
- \*B-00XAC26B
- \*C-00XAC01E
- \*D-00XAC26E
- \*E-00XAC01C
- \*F-00XAC26C
- \*G-00XAC01P
- \*H-00XAC26D
- \*I-00XAE020
- \*J-00XAE02A
- \*K-00XAA01H
- \*L-00XAA26H
- \*M-00XAE26D
- \*N-00XAF02B
- \*O-00XAE02A
- \*P-00XAE02B
- \*Q-00XAE02A
- \*R-00XAE04B
- \*S-00XAE04A
- \*T-00XAF01R
- \*U-00XAF01H
- \*V-00XAF02K
- \*W-00XAC01A
- \*X-00XAC26A
- \*Y-00XAC26A
- \*Z-00XAF01P
- \*1-00XAE260
- \*2-00XAC01D
- \*3-00XAC26D
- \*4-00XAF01H
- \*5-00XAF020
- \*6-00XAF02F
- \*7-00XAE26F
- \*8-00XAB01R
- \*9-00XAB26R
- \*A-00XAC01P
- \*B-00XAC26B
- \*C-00XAC01E
- \*D-00XAC26E
- \*E-00XAC01C
- \*F-00XAC26C
- \*G-00XAC01P
- \*H-00XAC26D
- \*I-00XAE020
- \*J-00XAE02A
- \*K-00XAA01H
- \*L-00XAA26H
- \*M-00XAE26D
- \*N-00XAF02B
- \*O-00XAE02A
- \*P-00XAE02B
- \*Q-00XAE02A
- \*R-00XAE04B
- \*S-00XAE04A
- \*T-00XAF01R
- \*U-00XAF01H
- \*V-00XAF02K

00XA 0202 1401  
00XA 1403 1410

COMMENTS

TAG DATE	E.C.NO.	TAG DATE	E.C.NO.	TAG DATE	E.C.NO.	TAG DATE	E.C.NO.
A 01-26-62	113840	B 10-03-62	114040	C 12-13-62	114179		

729205