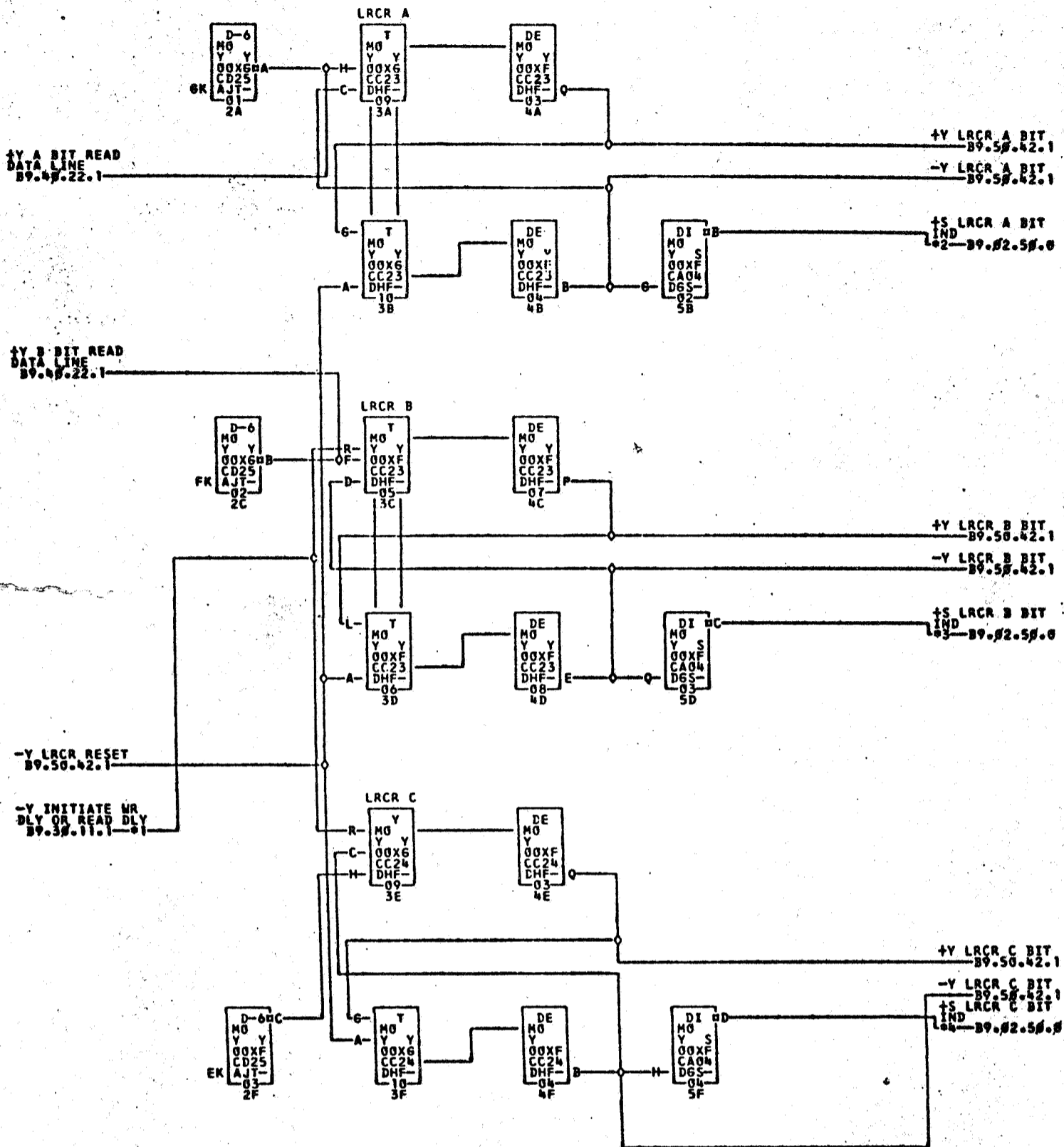


F 17.10.61

TA 37927A

G 12.3.63

TA 1775



\*1-00XCE02H

\*2-00XCA01N

\*3-00XCA01P

\*4-00XCA01Q

761277

COMMENTS  
 1461 1410  
 00XC 0205 1406

TAG DATE	E.C.NO.	TAG DATE	E.C.NO.	TAG DATE	E.C.NO.	TAG DATE	E.C.NO.
A 11-10-60	109350E	B 01-05-61	109304	C 01-23-61	109385D	D 04-12-61	110440
E 05-23-61	110487	F 06-04-61	112226	G 12-15-62	110369D		