

729933

STANDARD CODE

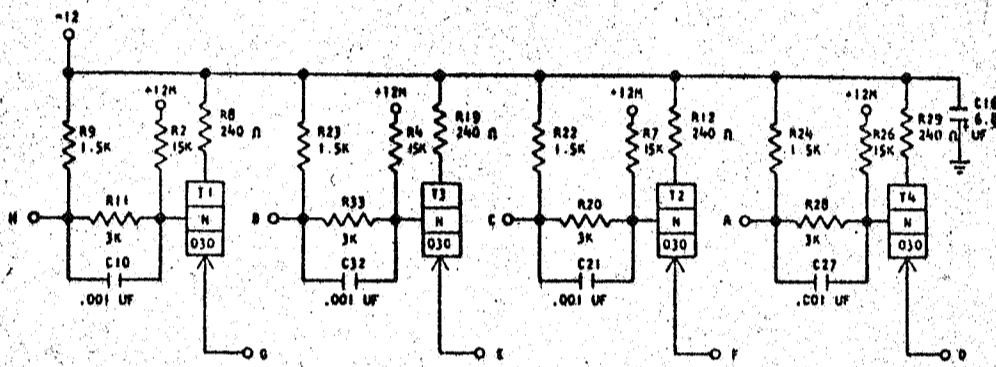
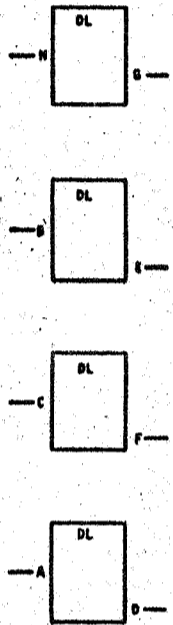
CARD CODE 729933

T A B -

REFERENCE DRAWING

SEE PRODUCTION DRAWING 370066

SDTRL 93Ω COAX LINE DRIVER-DISPERSED LOADS



SEQUENCE OF OPERATION

1. INPUT DOWN TRANSISTOR ON OUTPUT DOWN
2. INPUT UP TRANSISTOR OFF OUTPUT UP

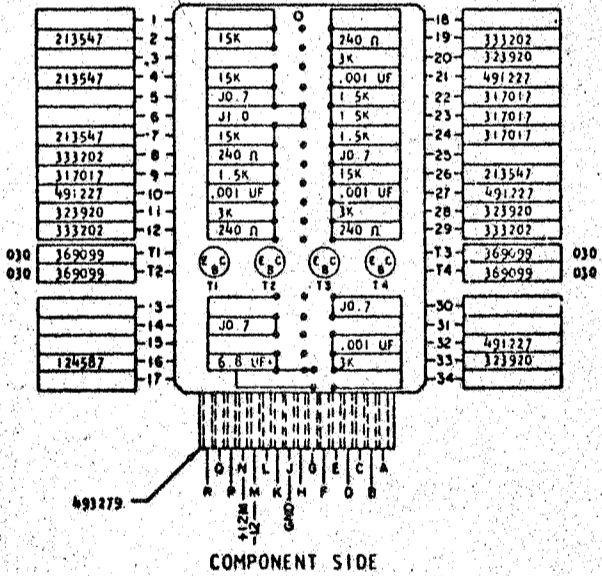
PINS	SIGNAL NAME	WAVE SHAPE	LEVELS		
			MIN	MAX	
N, B, C, A	INPUT		UP	-0.6	0
			DOWN	-1.14	-8.15
G, E, F, D	OUTPUT		UP	+0.8	
			DOWN	-0.8	
G, E, F, D	OUTPUT		UP	12.	
			DOWN	0.0	

DELAY - NSEC - DISPERSED LOADS:

	MINIMUM	MAXIMUM
TURN ON	10	40
TURN OFF	0	10

DELAY - NSEC - "DOT-DRING"

	MINIMUM	MAXIMUM
TURN ON	10	52
TURN OFF	0	10



CIRCUIT AND PACKAGING STANDARD	
APPROVAL	DATE
ABC	4-2-62

INTERNATIONAL BUSINESS MACHINES CORP.				DATE	CHANGE NO.	APPROVAL	DATE	CHANGE NO.	APPROVAL	DEVELOPMENT NO.
NAME: CARD ASM TSTR-SDTRL 93 Ω				6-21-62	EC 115599					729933
COAX LINE DRIVER-DISPERSED LOADS				30.4.63	TT 83687					
DESIGN	RL	3-1-62	SCALE	NONE						
CHECK	WH	3-1-62	DRAW	LLG	3-17-62					

729933