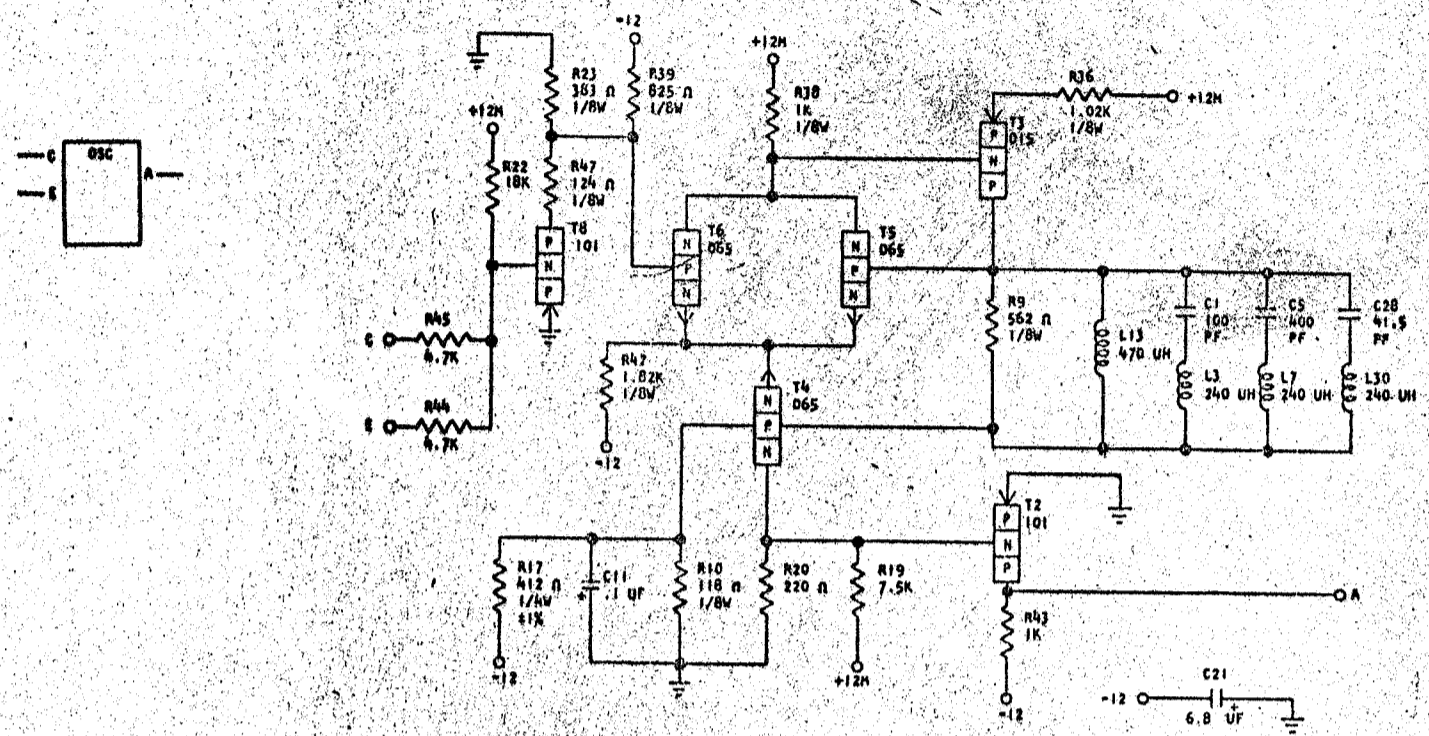


729903
STANDARD CODE

CARD CODE 729903
D A Z -

REFERENCE DRAWING
SEE PRODUCTION DRAWING 370127

DIFF BASE - OSCILLATOR, 240 KC S LINE GATED



SEQUENCE OF OPERATION

1. WHEN INPUTS C & E ARE UP, T8 TURNS OFF OSCILLATOR TURNS ON
2. WHEN C OR E IS DOWN, T8 TURNS ON, OSCILLATOR TURNS OFF

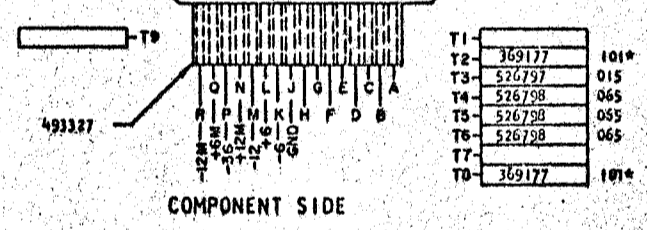
PINS	SIGNAL NAME	WAVE SHAPE	LEVELS		
			MIN	-MAX	
C, E	INPUT		UP	+ .45	+ .05
			DOWN	-6.87	-12.5
A	OUTPUT		UP	+ .45	- .05
			DOWN	-6.87	-12.5

DELAY - NSEC

	MINIMUM	MAXIMUM
TURN ON	70	120
TURN OFF	160	200

APPLIES ONLY WHEN GATING, WHEN OUTPUT IS AT A + B LEVEL.

492512	1	100 PF	20	
483095	2	240 UH	21	
492407	3	41.5 PF	22	492390
483095	4	400 PF	23	483095
550013	5	240 UH	24	
479046	6	JO.7	25	
124555	7	562 n 1/8W	26	
483096	8	118 n 1/8W	27	
	9	JO.7	28	
	10	JO.7	29	
	11	JO.7	30	479103
	12	102K 1/8W	31	
	13	470 UH	32	
	14	1K 1/8W	33	550020
	15	825 n 1/8W	34	479097
	16	JO.7	35	
491275	17	412 n 1/4W 1/2K	36	
	18	JO.7	37	
300720	19	7.5K	38	491242
317007	20	1K	39	213693
124507	21	220 n	40	213549
317928	22	4.7K	41	213549
479079	23	+ 6.8 UF	42	
	24	18K	43	
		383 n 1/8W	44	479047
		124 n 1/8W	45	
		JO.7	46	
		JO.7	47	
		JO.7	48	



COMPONENT SIDE

CIRCUIT AND PACKAGING STANDARD	
APPROVAL	DATE
ABC	4-2-62

INTERNATIONAL BUSINESS MACHINES CORP.		DATE	CHANGE NO.	APPROVAL	DATE	CHANGE NO.	APPROVAL	DEVELOPMENT NO.
NAME	CARD ASM TSTR-DIFF. BASE	3-27-62	EC 115599					729903
DESCRIPTION	OSCILLATOR 240 KC S LINE GATED	30.4.63	JT 83687					
DESIGN								
DETAIL	RQ 3-1-62	SCALE	NOHE					
CHECK	VM 3-1-62	DRAW	LIG 3-17-62					
APPRO		CHECK						

729903