

729817

STANDARDS CODE

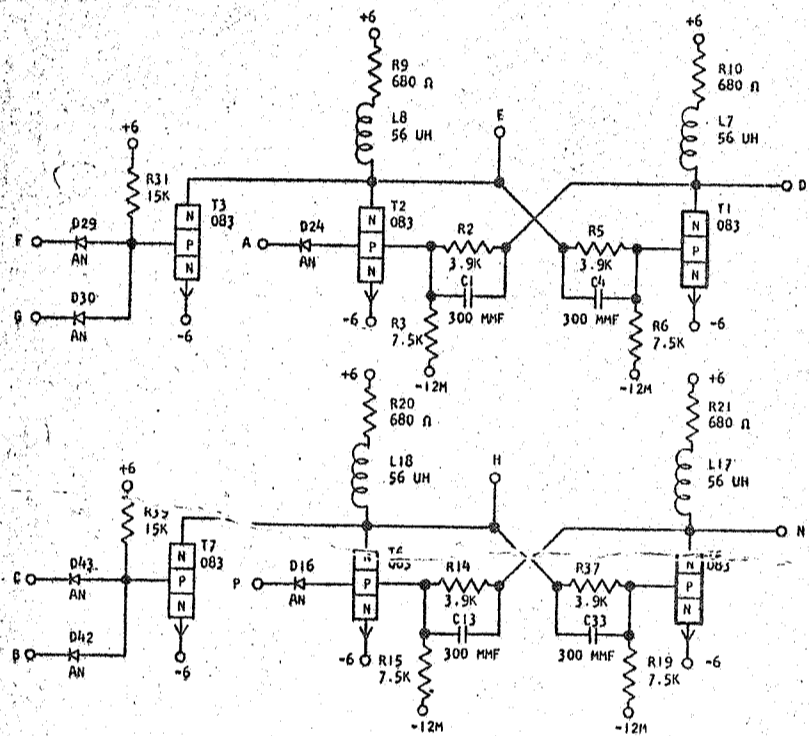
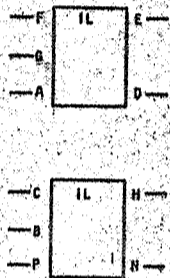
CARD CODE 729817

CEH-

REFERENCE DRAWING

SEE PRODUCTION DRAWING 370139

CTDL INVERTER LATCH NPN



SEQUENCE OF OPERATION

1. T1 ON, T2, T3 OFF
2. UP LEVEL AT F & G TURNS T3 ON, T1 OFF, T2 ON BY COLLECTIVE PULLOVER
3. DOWN LEVEL AT A WILL RETURN CIRCUIT TO CONDITION (1)

PINS	SIGNAL NAME	WAVE SHAPE	LEVELS	
			MIN	MAX
F, G, C, B	U SET	[Waveform]	UP	-5.26 +2.4
A, P	U RESET	[Waveform]	DOWN	-7.44 -12.48
E, H	T ON OUTPUT	[Waveform]	UP	1.44 6.24
D, N	T OFF OUTPUT	[Waveform]	DOWN	-5.46 -6.24

DELAY - SET

1. CONSIDER PIN D OR N AS OUTPUT
TURN OFF 1.26 USEC MAXIMUM
TURN ON 1.50 USEC
2. CONSIDER PIN E OR H AS OUTPUT
TURN OFF 1.66 USEC MAXIMUM
TURN ON .86 USEC MAXIMUM

RESET

1. PIN D OR N AS OUTPUT
TURN OFF 0.45
TURN ON 0.45
2. PIN E OR H AS OUTPUT
TURN OFF 0.40
TURN ON 0

491226	1	300 MHF	O	23	
317022	2	3.9K	K1 AN	24	491007
300720	3	7.5K	JO.7	25	
491226	4	300 MHF		26	
317022	5	3.9K	JO.7	27	
300720	6	7.5K	JO.7	28	
491311	7	56 UH	K1 AN	29	491007
491311	8	56 UH	K1 AN	30	491007
317014	9	680 Ω	15K	31	213547
317014	10	680 Ω	JO.7	32	
	11			33	491226
491226	12	300 MHF	JO.7	34	
317022	13	3.9K	JO.7	35	
300720	14	7.5K	3.9K	36	317022
491007	15	K1 AN	JO.7	37	
491311	16	56 UH	15K	38	213547
491311	17	56 UH	JO.7	39	
300720	18	7.5K	JO.7	40	
317014	19	680 Ω	JO.7	41	
317014	20	680 Ω	K1 AN	42	491007
317014	21	680 Ω	K1 AN	43	491007
	22				

T1	318325	083
T2	318325	083
T3	318325	083
T4		
T5	318325	083
T6	318325	083
T7	318325	083
T8		

COMPONENT SIDE

CIRCUIT AND PACKAGING STANDARD	
APPROVAL	DATE
ABC	4-2-62

INTERNATIONAL BUSINESS MACHINES CORP.				DEVELOPMENT NO.			
NAME	CARD	ASH	TSTR - CTDL	DATE	CHANGE NO.	APPROVAL	DATE
			INVERTER LATCH NPN	6-7-62	115599		
DESIGN	RQ	3-1-62	SCALE	NONE			
CHECK	VH	3-1-62	DRAW	LIG	3-17-62		
APPRO			CHECK				

729817