

729924

STANDARDS CODE

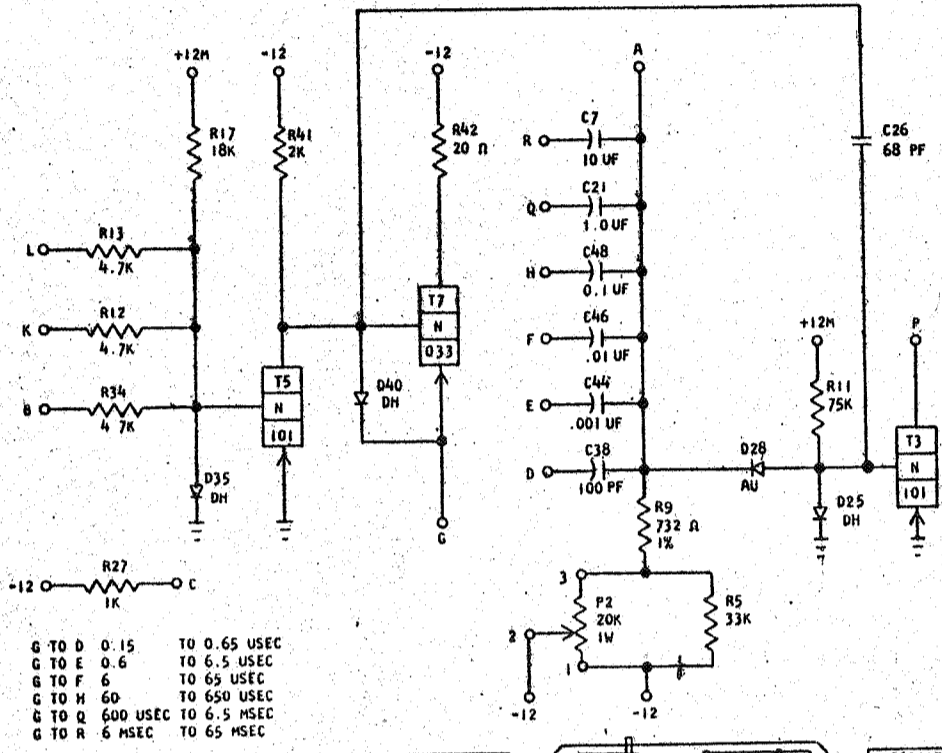
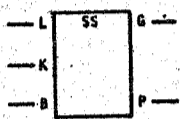
CARD CODE 729924

D H E -

REFERENCE DRAWING

SEE PRODUCTION DRAWING 370262

SDTRL - SINGLE SHOT  
0.15 USEC TO 65 MSEC

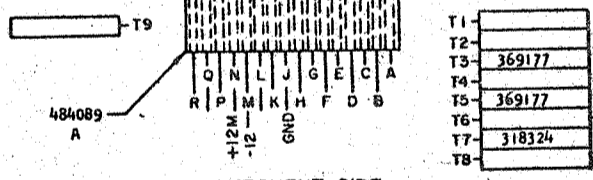
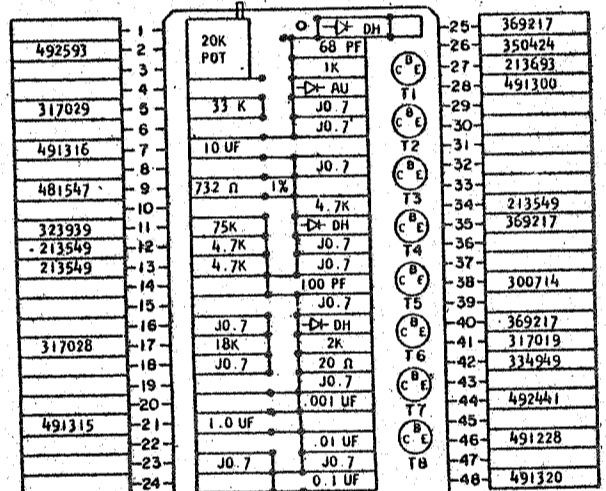


G TO D	0.15	TO 0.65 USEC
G TO E	0.6	TO 6.5 USEC
G TO F	6	TO 65 USEC
G TO H	60	TO 650 USEC
G TO Q	600 USEC	TO 6.5 MSEC
G TO R	6 MSEC	TO 65 MSEC

SEQUENCE OF OPERATION

1. PIN P TIED TO C FOR COLLECTOR LOAD, AND TO ANY INPUT IF INPUT PULSE IS NARROWER THAN REQUIRED OUTPUT PULSE. D IS TIED TO REQUIRED TIME CONSTANT INPUT
2. ALL INPUTS UP T5 OFF, T3 ON, OUTPUT UP
3. DOWN INPUT T5 ON, T3 OFF, OUTPUT DOWN
4. T3 TURNED BACK ON AT END OF TIME CONSTANT

PINS	SIGNAL NAME	WAVE SHAPE	LEVELS	
			MIN	MAX
L	Y	INPUT	UP	-0.6 -0.1
			DOWN	-6.87 -12.5
K	Y	INPUT	UP	-0.6 -0.1
			DOWN	-6.87 -12.5
B	Y	INPUT	UP	-0.6 -0.1
			DOWN	-6.87 -12.5
P	Y	OUTPUT	UP	-0.6 -0.1
			DOWN	-6.87 -10.5
T3	BASE	SWITCH LEVEL		



COMPONENT SIDE

CIRCUIT AND PACKAGING STANDARD	
APPROVAL	DATE
ABC	4-2-62

INTERNATIONAL BUSINESS MACHINES CORP.		DATE	CHANGE NO.	APPROVAL	DATE	CHANGE NO.	APPROVAL	DEVELOPMENT NO.
NAME: CARD ASM TSTR-SDTRL-		6-19-62	115599					
MODEL: SINGLE SHOT								
DESIGN: RQ	3-1-62	SCALE: NONE						
CHECK: WH	3-1-62	DRAW: LIE: 3-17-62						
APPRO: [ ]		CHECK: [ ]						

729924

729924

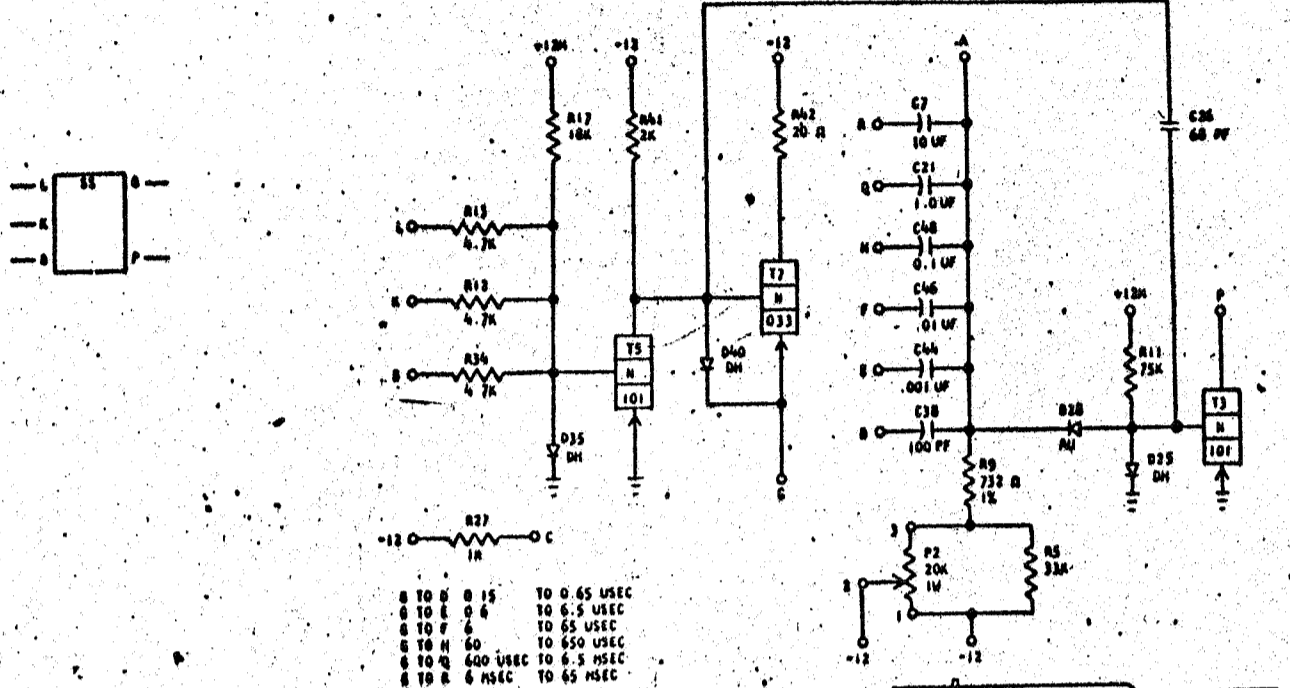
729924

DHE -

### REFERENCE DRAWING

SEE PRODUCTION DRAWING 570262

### SDTRL - SINGLE SHOT 0.15 USEC TO 65 MSEC

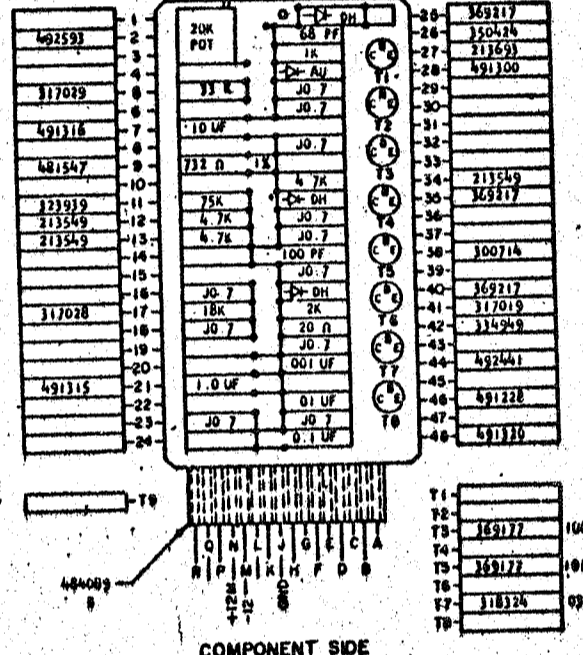


8 TO 8	0.15	TO 0.65 USEC
8 TO 8	0.6	TO 6.5 USEC
8 TO 7	6	TO 65 USEC
8 TO 6	60	TO 650 USEC
8 TO 5	600	TO 6.5 MSEC
8 TO 4	6	TO 65 MSEC

#### SEQUENCE OF OPERATION

1. PIN P TIED TO C FOR COLLECTOR LOAD, AND TO ANY INPUT IF INPUT PULSE IS WIDER THAN REQUIRED OUTPUT PULSE. G IS TIED TO REQUIRED TIME CONSTANT INPUT
2. ALL INPUTS UP T5 OFF, T3 ON, OUTPUT UP
3. DOWN INPUT T5 ON, T3 OFF, OUTPUT DOWN
4. T3 TURNED BACK ON AT END OF TIME CONSTANT

PINS	SIGNAL NAME	WAVE SHAPE	LEVELS		
				MIN	MAX
L	V INPUT		UP	-0.6	-0.1
K	V INPUT		DOWN	-6.87	-12.5
B	V INPUT		UP	-0.6	-0.1
P	V OUTPUT		UP	-0.6	-0.1
T3	SWITCH LEVEL		DOWN	-6.87	-10.5



SINGLET AND PACKAGING STANDARD	
APPROVAL	DATE
ABC	4-2-62

INTERNATIONAL BUSINESS MACHINES CORP.		DATE	CHANGE NO.	APPROVAL	DATE	CHANGE NO.	APPROVAL	DEVELOPMENT NO.
NAME	CARD ASH TSTR-SDTRL	6-27-62	115599					
	SINGLE SHOT	1-3-63	EC116036					
DESIGN	RD	2-1-62	SCALE	NONE				
CHECKS	WV	2-1-62	DRAW	LIS	2-17-62			
APPRO			CHECKS					

729924