

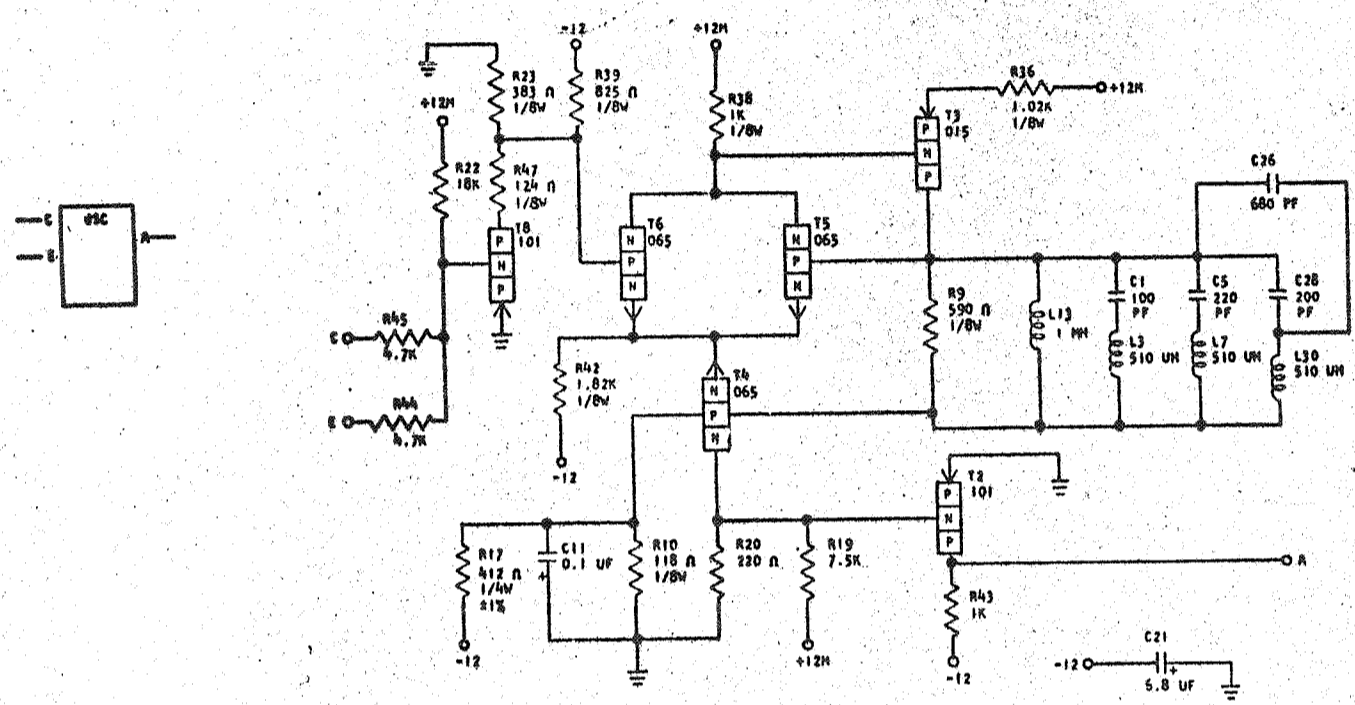
729935

STANDARD CODE

CARD CODE 729935
T B Q -

REFERENCE DRAWING
SEE PRODUCTION DRAWING 370295

SDTRL - OSCILLATOR, 115 KC S LINE GATED



SEQUENCE OF OPERATION

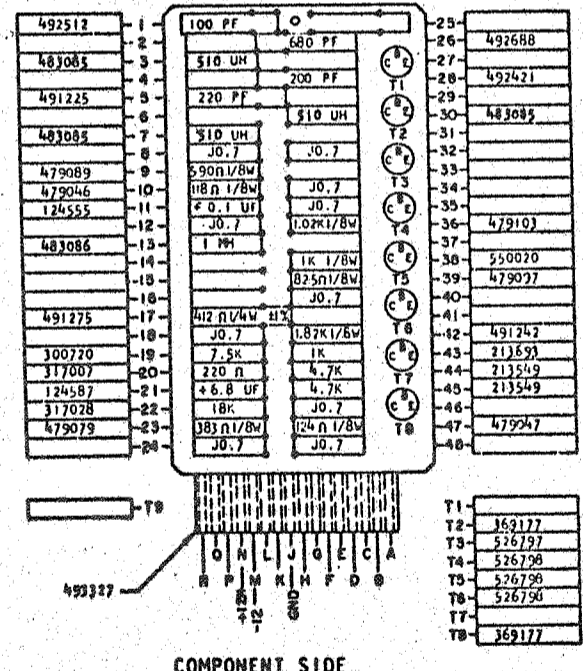
1. WHEN C AND E ARE UP, T8 TURNS OFF, OSCILLATOR TURNS ON
2. WHEN C OR E IS DOWN, T8 TURNS ON, OSCILLATOR TURNS OFF

PINS	SIGNAL NAME	WAVE SHAPE	LEVELS	
			MIN	MAX
2	INPUT	[Square Wave]	UP -0.45	-0.05
			DOWN -6.87	-12.5
A	OUTPUT	[Sine Wave]	UP -0.45	-0.05
			DOWN -6.87	-12.5

DELAY - NSEC

	MINIMUM	MAXIMUM
TURN ON	60	130
TURN OFF	110	190
RISE TIME	28	82
FALL TIME	21	50

*APPLIES ONLY WHEN BAYING, WHEN OUTPUT IS AT A + 8 LEVEL.



COMPONENT SIDE

CIRCUIT AND PACKAGING STANDARD	
APPROVAL	DATE
ABC	4-2-62

INTERNATIONAL BUSINESS MACHINES CORP.	DATE	CHANGE NO.	APPROVAL	DATE	CHANGE NO.	APPROVAL	DEVELOPMENT NO.
NAME CARD ASM TSTR-SDTRL-OSC, 115 KC S LINE GATED	4-29-62	EC 115599					
	30.4.63	JT 83687					
DESIGN		MODEL SMS					
DETAIL	RQ 3-1-62	SCALE NONE					
CHECK	WH 3-1-62	DRAW LIG 3-17-62					
APPROV		CHECK					

C

729935