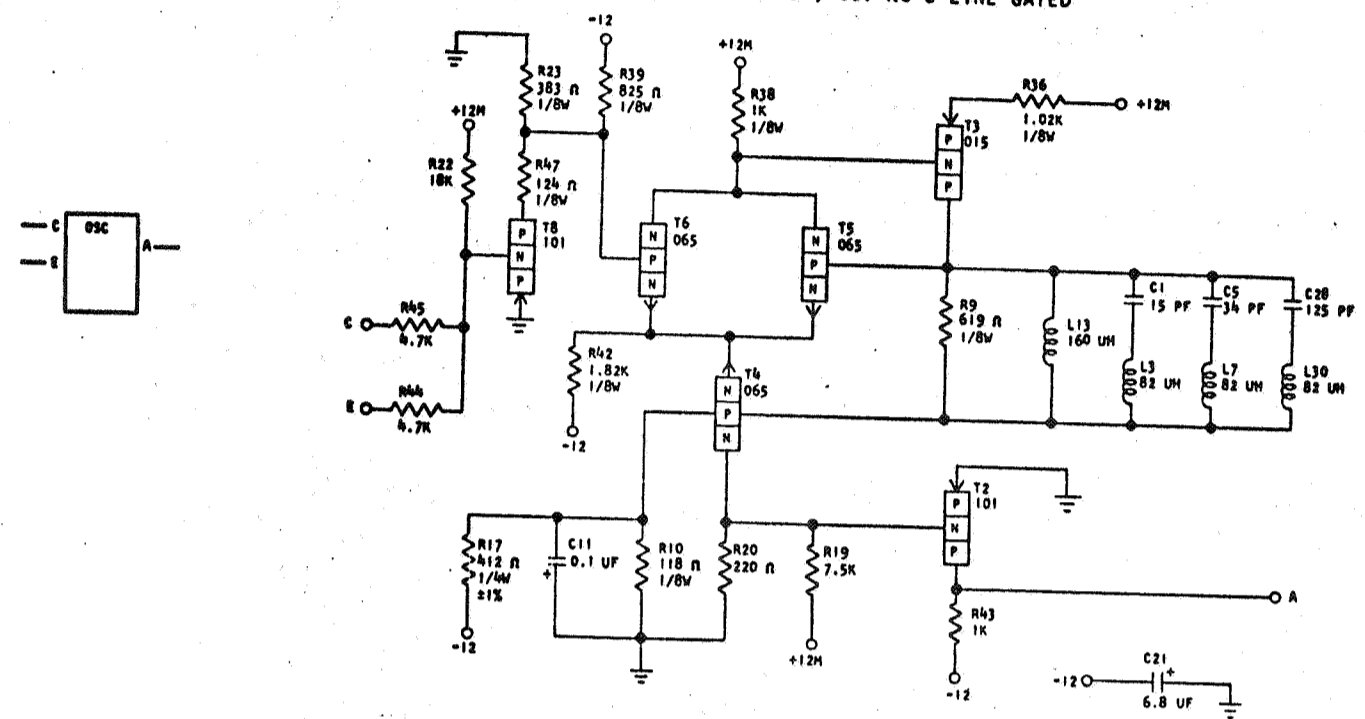


STANDARD CODE
729937

CARD CODE 729937
T B S -

REFERENCE DRAWING
SEE PRODUCTION DRAWING 370298

SDTRL - OSCILLATOR, 667 KC S LINE GATED



SEQUENCE OF OPERATION

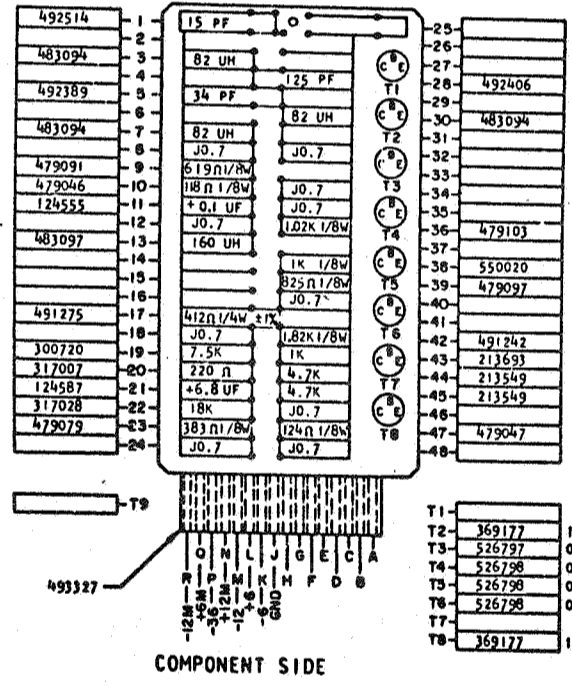
1. WHEN C AND E ARE UP, T8 TURNS OFF, OSCILLATOR TURNS ON
2. WHEN C OR E IS DOWN, T8 TURNS ON, OSCILLATOR TURNS OFF

PINS	SIGNAL NAME	WAVE SHAPE	LEVELS		
			MIN	MAX	
C, E	INPUT		UP	-0.5	-0.5
			DOWN	-6.87	-12.5
A	OUTPUT		UP	-0.5	-0.5
			DOWN	-6.87	-12.5

DELAY - NSEC

	MINIMUM	MAXIMUM
TURN ON	70	110
TURN OFF*	160	300
RISE TIME	36	52
FALL TIME	48	62

*APPLIES ONLY WHEN GATING, WHEN OUTPUT IS AT A + S LEVEL.



CIRCUIT AND PACKAGING STANDARD

APPROVAL	DATE
ABC	4-2-62

INTERNATIONAL BUSINESS MACHINES CORP.		DATE	CHANGE NO.	APPROVAL	DATE	CHANGE NO.	APPROVAL	DEVELOPMENT NO.
NAME		4-29-62	EC 115599					
667 KC S LINE GATED		30.4.63	JT 83687					
DESIGN	RQ	3-1-62	SCALE	NONE				
CHECK	WH	3-1-62	DRAW	LIG 3-17-62				
APPRO			CHECK					

C

729937