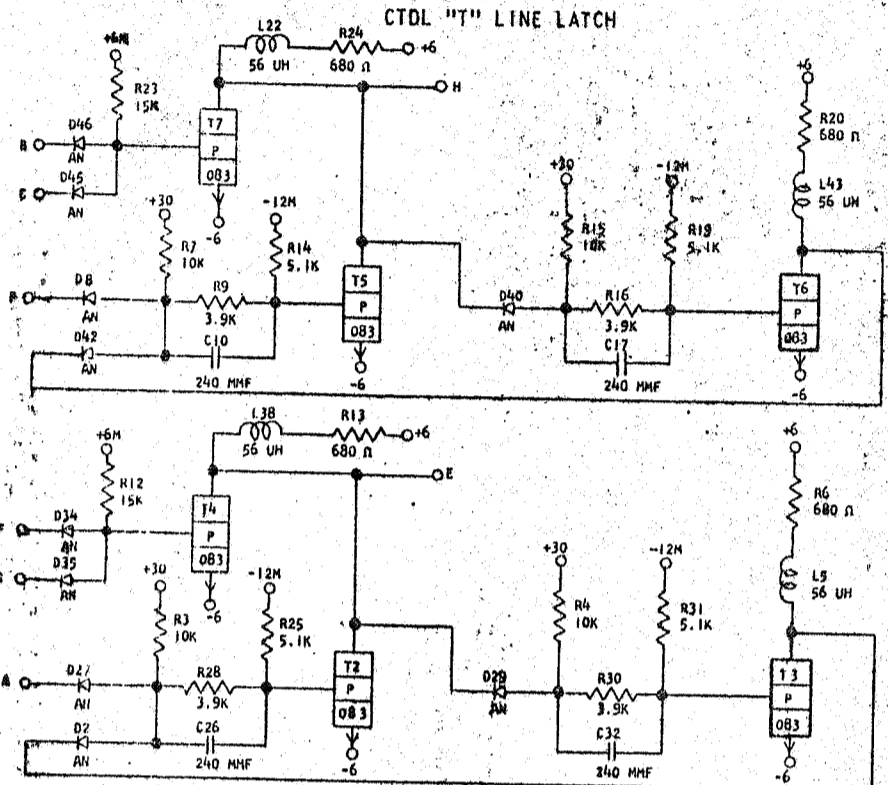
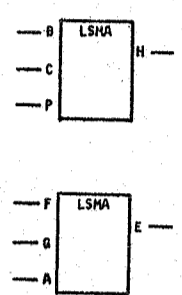


729819

STANDARDS CODE

CARD CODE 729819  
CEM -

REFERENCE DRAWING  
SEE PRODUCTION DRAWING 370357



SEQUENCE OF OPERATION

1. T6 IS ON, T5, T7 OFF
2. WHEN B & C ARE UP; T7 TURNS ON, THE OUTPUT IS DOWN, T6 TURNS OFF, T5 TURNS ON
3. WHEN P IS DOWN, T5 IS OFF, THE OUTPUT IS UP, T6 TURNS ON

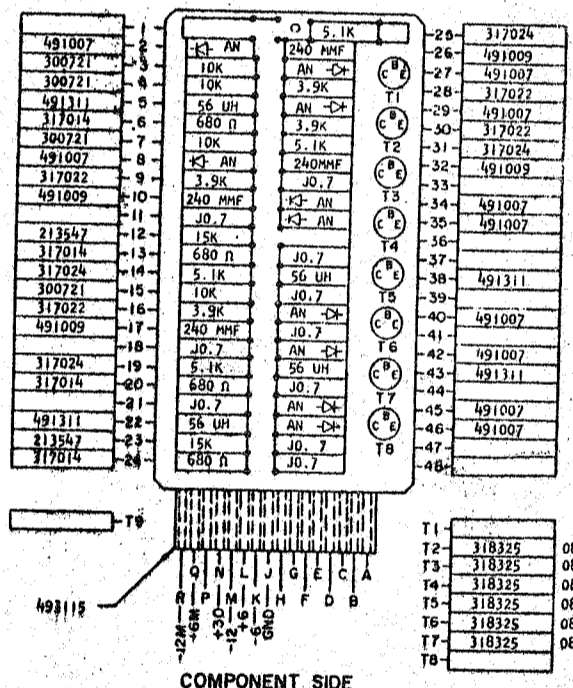
PINS	SIGNAL NAME	WAVE SHAPE	LEVELS	
			MIN	MAX
B, C	U SET	[Waveform]	UP	-5.26 6.24
H	T OUTPUT	[Waveform]	UP	1.44 6.24
P	T RESET	[Waveform]	UP	3.68 6.24
F, G	U SET	[Waveform]	UP	-5.26 6.24
E	T OUTPUT	[Waveform]	UP	1.44 6.24
A	T RESET	[Waveform]	UP	3.68 6.24

DELAY - USEC

1. SET TO OUTPUT			
TURN ON	MIN.	MAX.	
TURN OFF	0.05	0.70	
	0.05	1.50	

2. RESET TO OUTPUT:			
TURN ON	----	.08	
TURN OFF	----	.23	



COMPONENT SIDE

CIRCUIT AND PACKAGING STANDARD	
APPROVAL	DATE
ABC	4-2-62

INTERNATIONAL BUSINESS MACHINES CORP.							
NAME	BOARD ASM TSTR-LIDL	DATE	52	CHANGE NO.	115599	APPROVAL	
DESIGN	LINE LATCH						
MODEL	SMS						
SCALE	3-1-62						
NO	NOHE						
CHECK	3-1-62						
BY	DPW						
DATE	LIG						
	3-17-62						
CHECK							

729819