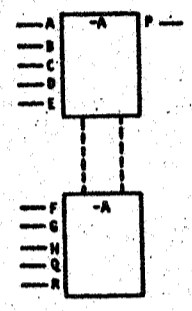


729919
STANDARD CODE

CARD CODE 729919
D G Z -

REFERENCE DRAWING
SEE PRODUCTION DRAWING 370373

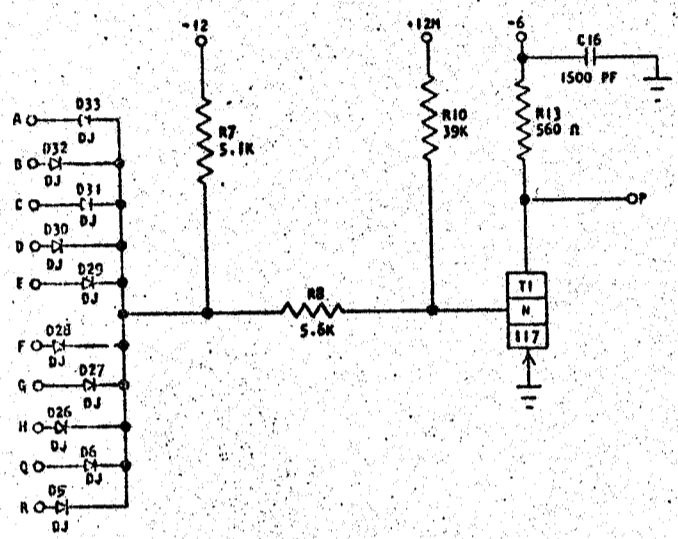
SDTDL 10 WAY LOGIC BLOCK LOW SPEED WITH LOAD



DELAY: SDTDL - LOW SPEED
LOGIC BLOCK WITH 560 OHM COLLECTOR RESISTOR

TURN ON (NSEC)	MIN. 75	MAX. 100 ^{ns}
TURN OFF (NSEC)	40	200 ^{ns}

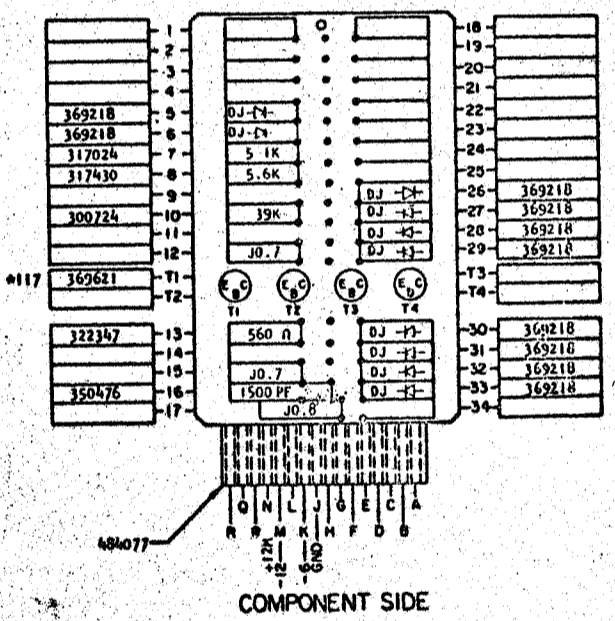
*THIS DELAY CAN INCREASE TO 200 NSEC WHEN THE DRIVING BLOCK HAS 6.2K COLLECTOR RESISTOR RETURNED TO -12V.
**THIS DELAY CAN INCREASE TO 350 NSEC WHEN THE DRIVING BLOCK OR THE BLOCK THAT DRIVES THE DRIVING BLOCK HAS 6.2K COLLECTOR RESISTOR RETURNED TO -12V.



SEQUENCE OF OPERATION

1. ALL INPUTS DOWN TRANSISTOR ON OUTPUT UP
2. ANY INPUT UP TRANSISTOR OFF OUTPUT DOWN
3. LOGIC BLOCKS MAY HAVE SYMBOLS OTHER THAN SHOWN.

PINS	SIGNAL NAME	WAVE SHAPE	LEVELS	
			MIN	MAX
A	Y INPUT	[Waveform]	UP -0.65	DOWN -5.81
B	Y INPUT	[Waveform]	UP -0.65	DOWN -5.81
C	Y INPUT	[Waveform]	UP -0.65	DOWN -5.81
D	Y INPUT	[Waveform]	UP -0.65	DOWN -5.81
E	Y INPUT	[Waveform]	UP -0.65	DOWN -5.81
F	Y INPUT	[Waveform]	UP -0.65	DOWN -5.81
G	Y INPUT	[Waveform]	UP -0.65	DOWN -5.81
H	Y INPUT	[Waveform]	UP -0.65	DOWN -5.81
I	Y INPUT	[Waveform]	UP -0.65	DOWN -5.81
J	Y INPUT	[Waveform]	UP -0.65	DOWN -5.81
K	Y INPUT	[Waveform]	UP -0.65	DOWN -5.81
L	Y INPUT	[Waveform]	UP -0.65	DOWN -5.81
M	Y INPUT	[Waveform]	UP -0.65	DOWN -5.81
N	Y INPUT	[Waveform]	UP -0.65	DOWN -5.81
O	Y INPUT	[Waveform]	UP -0.65	DOWN -5.81
P	Y OUTPUT	[Waveform]	UP -0.65	DOWN -5.81



CIRCUIT AND PACKAGING STANDARD	
APPROVAL	DATE
ABC	4-2-62

INTERNATIONAL BUSINESS MACHINES CORP.		DATE	CHANGE NO.	APPROVAL	DATE	CHANGE NO.	APPROVAL	DEVELOPMENT NO.
NAME	CARD ASH 15TR-SDTDL 10 WAY LOGIC BLOCK LOW SPEED WITH LOAD	4-2-62	EC 115599					729919
DESIGN		30-4-62	JT 83687					
DETAIL	RQ 3-1-62	SCALE	NONE					
ENGR	WH 3-1-62	DRAW	LIC 13-17-62					
APPROV		CHECK						

729919