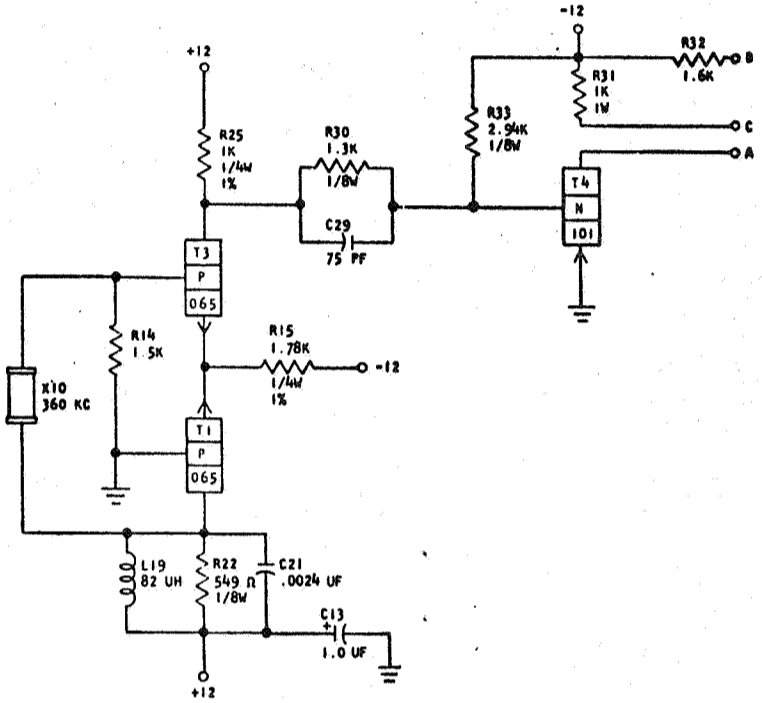
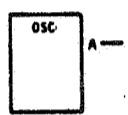


729945  
STANDARD CODE

CARD CODE 729945  
T D G -

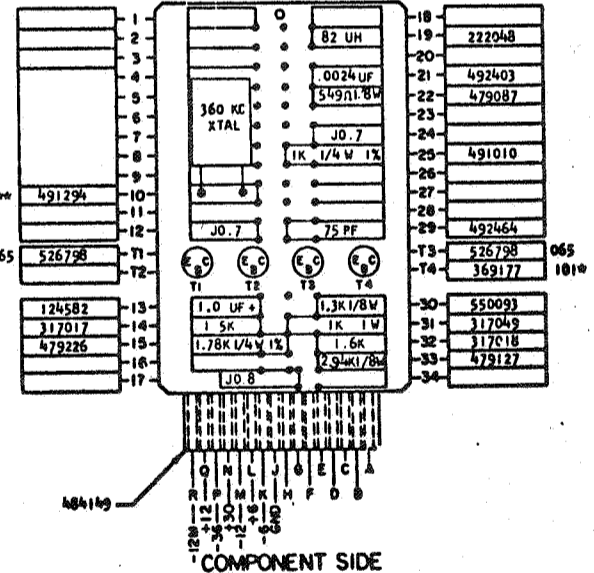
**REFERENCE DRAWING**  
SEE PRODUCTION DRAWING 370397

**SDTDL-SDTRL - 360 KC OSCILLATOR**



- SEQUENCE OF OPERATION**
1. WHEN POWER IS UP, THE OSCILLATOR TURNS ON
  2. PIN A CAN BE TIED TO TWO DIFFERENT LOADS, DEPENDING ON CURRENT REQUIREMENTS

PINS	SIGNAL NAME	WAVE SHAPE	LEVELS	
			MIN	MAX
A	S OUTPUT		UP -4.5	-0.5
			DOWN -5.8	-12.4B



CIRCUIT AND PACKAGING STANDARD	
APPROVAL	DATE
ABC	4-2-62

INTERNATIONAL BUSINESS MACHINES CORP.				DATE	CHANGE NO.	APPROVAL	DATE	CHANGE NO.	APPROVAL	DEVELOPMENT NO.
NAME / CARD ASM TSTR-SDTDL				6-29-62	EC115599					729945
SDTRL - 360 KC OSCILLATOR				30.4.63	JT 83687					
DESIGN		MODEL	SMS							
DETAIL	RQ	3-1-62	SCALE	NONE						
CHECK	MM	3-1-62	DRAW	LIG	3-17-62					
APPRO		CHECK								

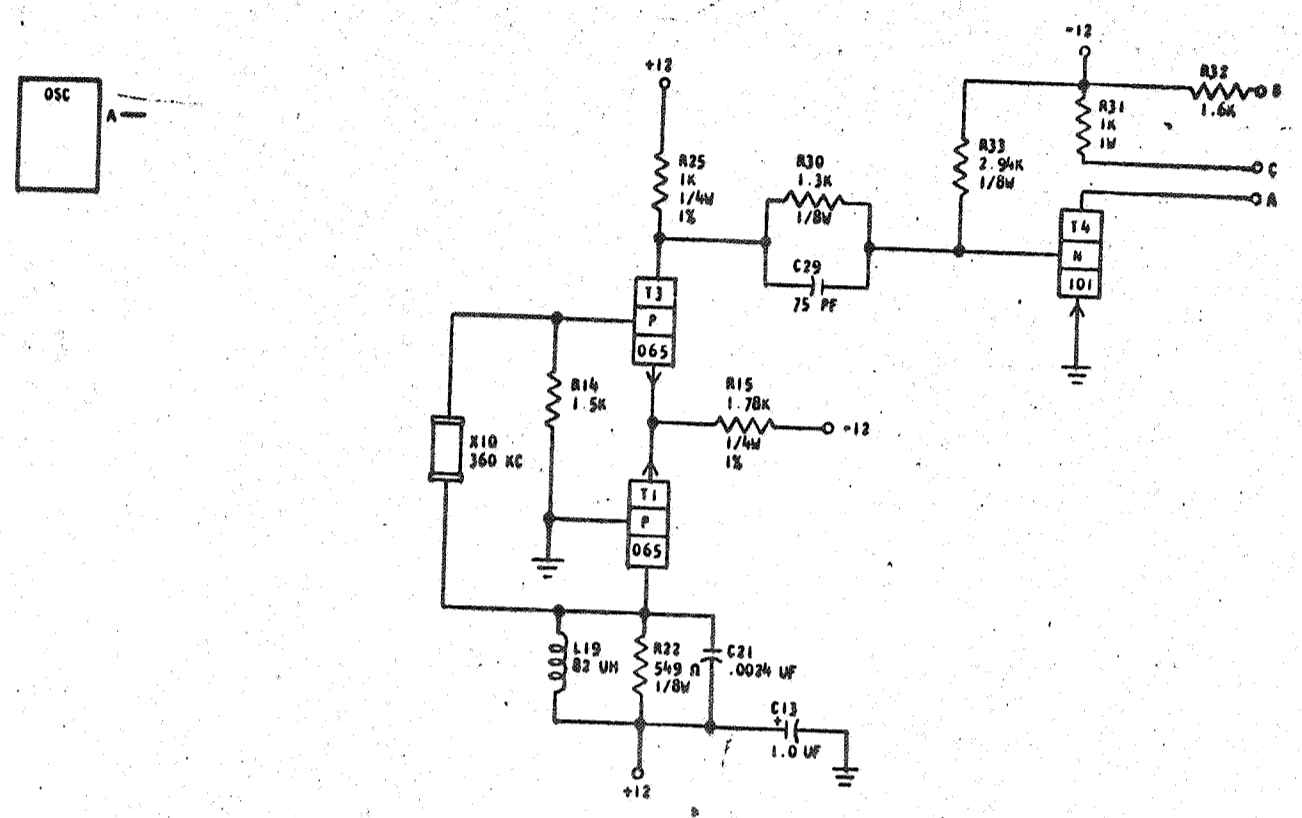
C

729945  
STANDARD CODE


CARD CODE 729945  
T D G -

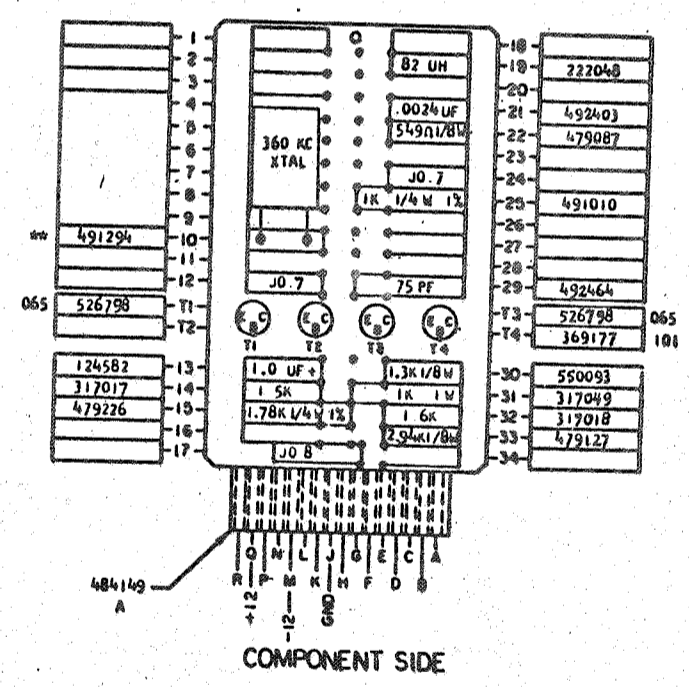
**REFERENCE DRAWING**  
SEE PRODUCTION DRAWING 370397

**SDTDL-SDTRL - 360 KC OSCILLATOR**



- SEQUENCE OF OPERATION**
1. WHEN POWER IS UP, THE OSCILLATOR TURNS ON
  2. PIN A CAN BE TIED TO TWO DIFFERENT LOADS, DEPENDING ON CURRENT REQUIREMENTS

PINS	SIGNAL NAME	WAVE SHAPE	LEVELS	
			MIN	MAX
A	S OUTPUT	 360 KC	UP DOWN	-.45 -12.48



INTERNATIONAL BUSINESS MACHINES CORP.							
NAME	DATE	CHARGE NO.	APPROVAL	DATE	CHARGE NO.	APPROVAL	DEVELOPMENT NO.
CARD ASM TSIR-SDTDL	C-PP-62	115599					
SDTRL - 360 KC OSCILLATOR	B-28-63	117802					
DESIGN	RQ	3-1-62	SCALE	NONE			
CHECK	WH	3-1-62	DRAW	LIG	3-17-62		
APPRO			CHECK				

CIRCUIT AND PACKAGING STANDARD	
APPROVAL	DATE
ABC	4-2-62

729945