

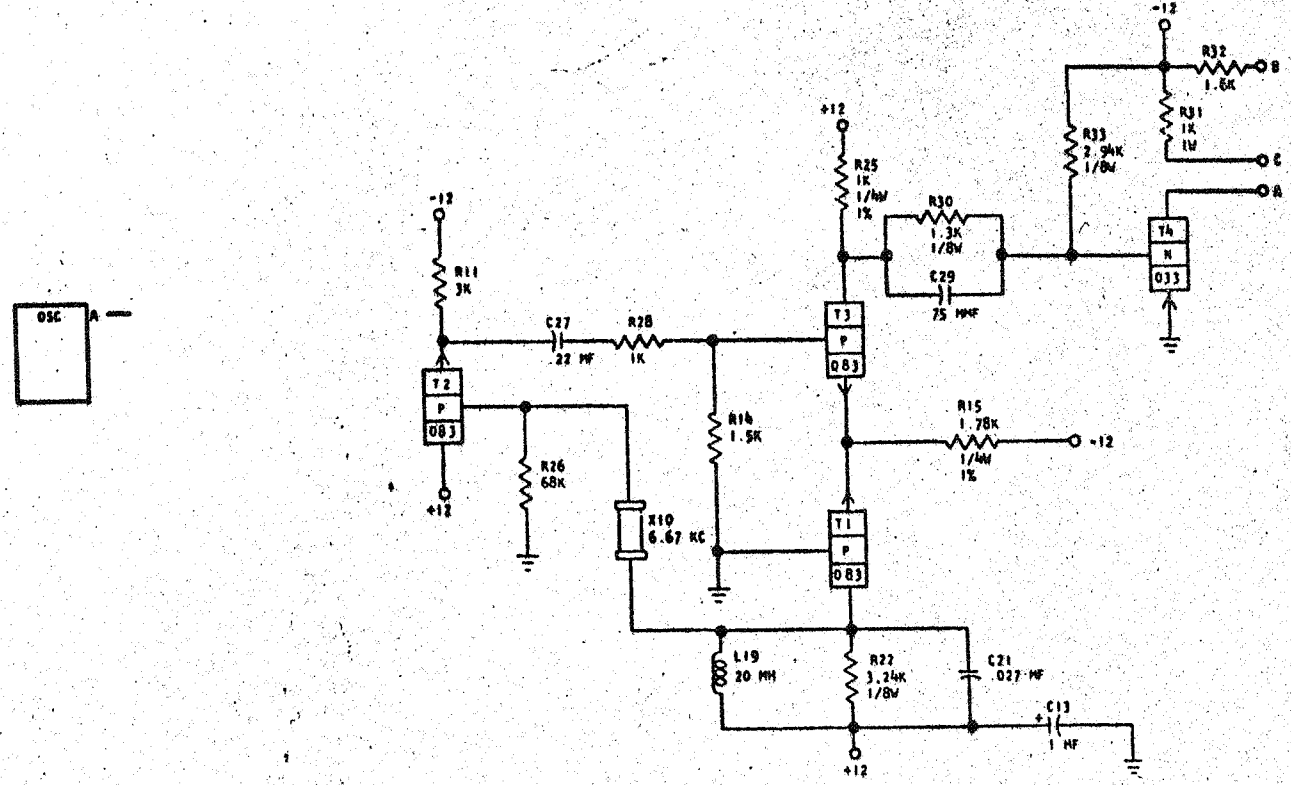
729941

STANDARD CODE

CARD CODE 729941  
T-D C -

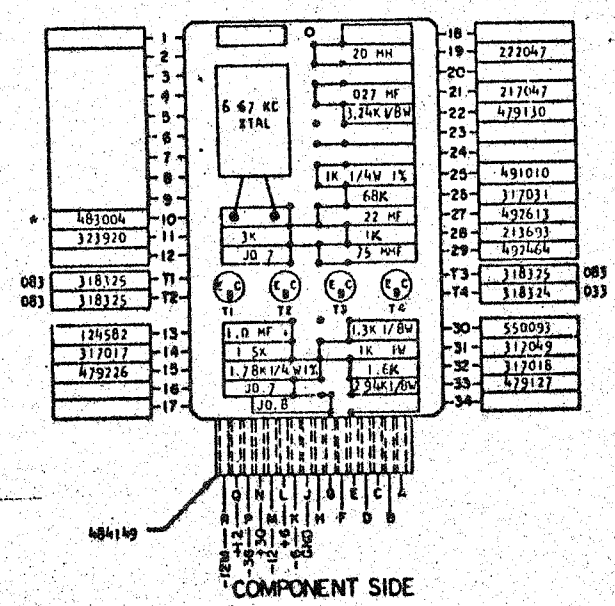
REFERENCE DRAWING  
SEE PRODUCTION DRAWING 370401

SOTDL-SOTRL - 6.67 KC OSCILLATOR



- SEQUENCE OF OPERATION
1. WHEN POWER IS UP, THE OSCILLATOR TURNS ON.
  2. PIN A CAN BE TIED TO TWO DIFFERENT LOADS, DEPENDING ON THE CURRENT REQUIREMENTS.

PINS	SIGNAL NAME	WAVE SHAPE	LEVELS	
			MIN	MAX
A	S	OUTPUT	UP -5	-1
			DOWN -5.8	-12.48



CIRCUIT AND PROCESSING STANDARD	
APPROVAL	DATE
ABC	4-2-62

INTERNATIONAL BUSINESS MACHINES CORP.				DATE	CHANGE NO.	APPROVAL	DATE	CHANGE NO.	APPROVAL	DEVELOPMENT NO.
NAME	CH'D ASM 157P-SOTL	DATE	3-27-62	EC	115599					729941
	SOTRL-6.67 KC OSCILLATOR	DATE	3-4-63	JT	83687					
DESIGN	MODEL SWS									
DFTAL	RQ 3-1-62	SCALE	HOME							
CHECK	VH 3-1-62	DRAW	LIG 3-17-62							
APPRO		CHECK								

729941

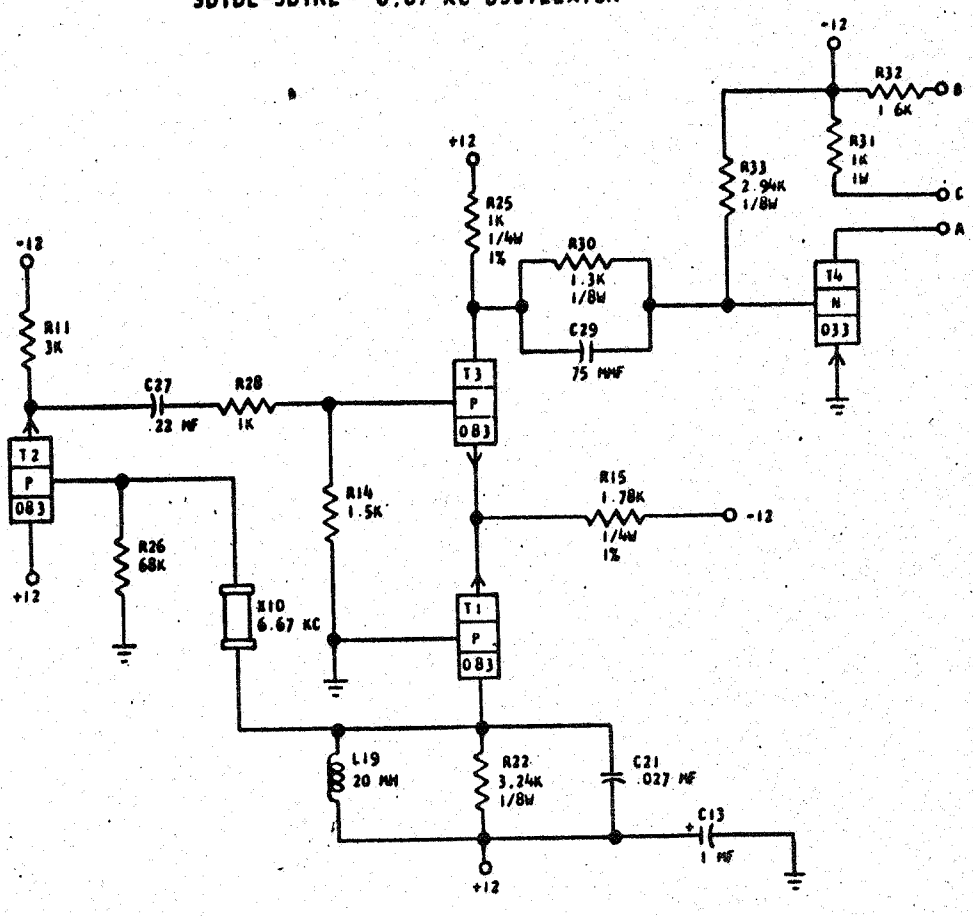
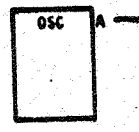
729941

STANDARD CODE

CARD CODE 729941  
TDC -

**REFERENCE DRAWING**  
SEE PRODUCTION DRAWING 370401

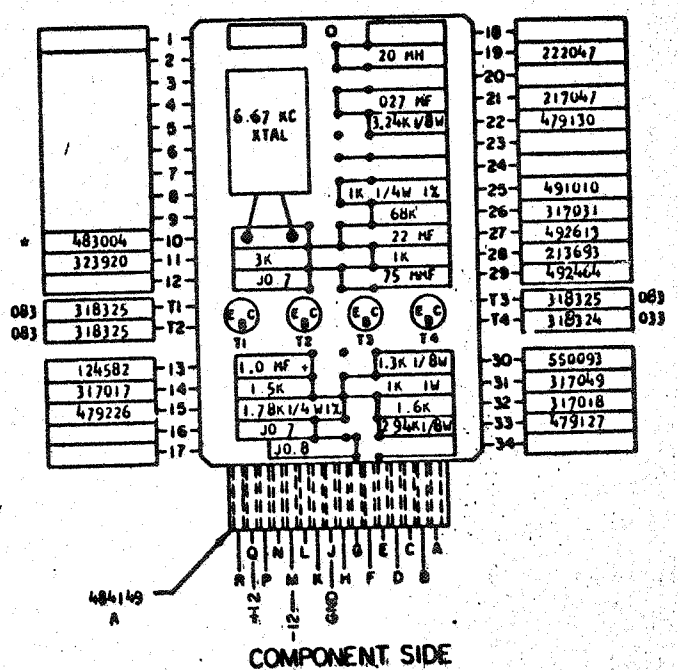
**SDTDL-SDTRL - 6.67 KC OSCILLATOR**



**SEQUENCE OF OPERATION**

1. WHEN POWER IS UP, THE OSCILLATOR TURNS ON.
2. PIN A CAN BE TIED TO TWO DIFFERENT LOADS, DEPENDING ON THE CURRENT REQUIREMENTS.

PINS	SIGNAL NAME	WAVE SHAPE	LEVELS	LEVELS	
				MIN	MAX
A	5	OUTPUT	6.67KC	UP -5	-1
				DOWN -5.8	-12.48



CIRCUIT AND PACKAGING STANDARD	
APPROVAL	DATE
ABC	4-2-62

INTERNATIONAL BUSINESS MACHINES CORP.				729941			
NAME	DATE	CHANGE NO.	APPROVAL	DATE	CHANGE NO.	APPROVAL	DEVELOPMENT NO.
CARD ASM TSTR-SDTL	7-62	115529					
SDTRL-6.67 KC OSCILLATOR	8-28-63	117802					
DESIGN	RD	3-1-62	SCALE	NONE			
CHECK	WM	3-1-62	DRAW	LIG	3-17-62		
APPRO			CHECK				

C

729941