

729950

STANDARD CODE

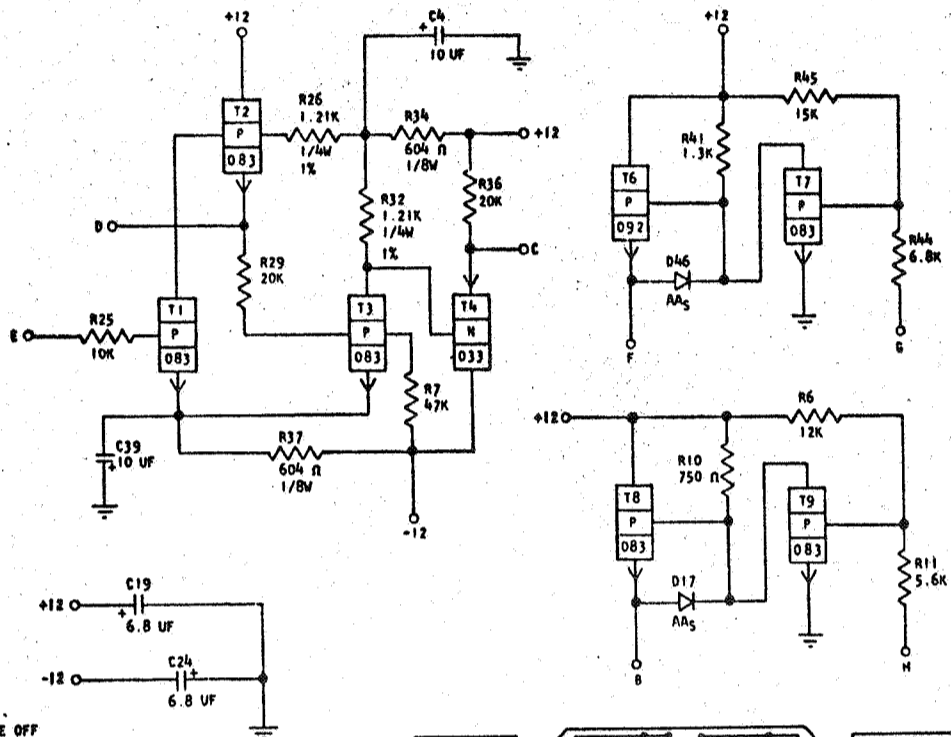
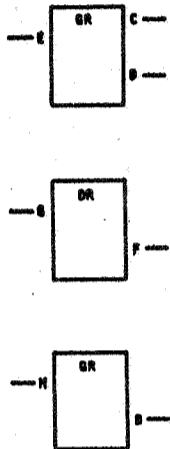
CARD CODE 729950

Y C B -

REFERENCE DRAWING

SEE PRODUCTION DRAWING 370420

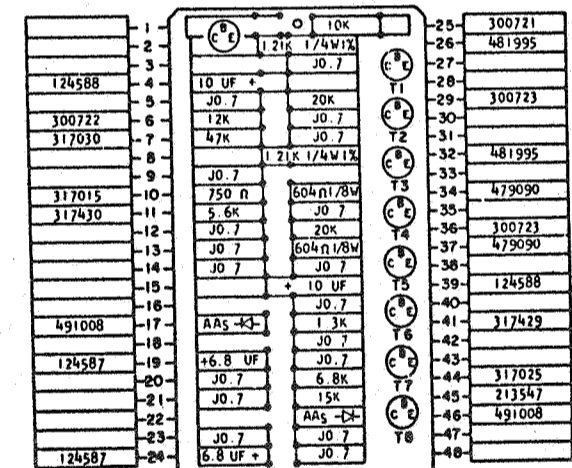
SENSE AMPLIFIER-SELECT GATE, READ GATE AND BAND PASS CTRL



SEQUENCE OF OPERATION

- A. SELECT GATE
  1. WHEN INPUT AT PIN E IS UP, T1 IS ON, T2, T3, T4, ARE OFF THE OUTPUT IS UP AT PIN C AND DOWN AT PIN D
  2. WHEN OUTPUT AT PIN E IS DOWN, T1 IS OFF, T2, T3, T4 ARE ON, THE OUTPUT IS DOWN AT PIN C AND UP AT PIN D
- B. READ GATE
  1. WHEN INPUT AT PIN G IS UP, T7 TURNS ON, T6 TURNS ON AN OUTPUT AT PIN F IS DOWN
  2. WHEN INPUT AT PIN G IS DOWN, T7 IS OFF T6 IS ON, AND OUTPUT AT PIN F IS UP
- C. NOISE REJECTION
  1. WHEN INPUT AT H IS UP, T9 IS ON, T8 IS ON AND OUTPUT AT B IS DOWN
  2. WHEN INPUT AT H IS DOWN, T9 IS OFF, T8 IS ON AND THE OUTPUT AT B IS UP

PINS	SIGNAL NAME	WAVE SHAPE	LEVELS		
			MIN	MAX	
E	S SELECT GATE INPUT		UP	-5	-1
			DOWN	-7.42	-12.48
C	S SELECT GATE OUTPUT #1		UP	5.14	7.23
			DOWN	-4.43	-6.64
D	S SELECT GATE OUTPUT #2		UP	4.52	6.88
			DOWN	-4.76	-6.84
B	S READ GATE INPUT		UP	-5	-1
			DOWN	-6.87	-12.48
F	S READ GATE OUTPUT		UP	+9.39	+12.48
			DOWN	+7	0
H	S NOISE REJECT INPUT		UP	-5	-1
			DOWN	-6.87	-12.48
B	S NOISE REJECT OUTPUT		UP	10.41	12.48
			DOWN	.7	0



1	25	300721
2	26	481995
3	27	
4	28	
5	29	300723
6	30	
7	31	
8	32	481995
9	33	
10	34	479090
11	35	
12	36	300723
13	37	479090
14	38	
15	39	124588
16	40	
17	41	317429
18	42	
19	43	
20	44	317025
21	45	213547
22	46	491008
23	47	
24	48	

COMPONENT SIDE

CIRCUIT AND PACKAGING STANDARD

APPROVAL	DATE
ABC	4-2-62

INTERNATIONAL BUSINESS MACHINES CORP.	DATE	CHANGE NO.	APPROVAL	DATE	CHANGE NO.	APPROVAL	DEVELOPMENT NO.
NAME CARD ASM TSTR-SEN AM-SEL	4-27-62	EC 115599					729950
GT, RD BT AND BAND PASS CTRL	30.4.63	JT 83687					
DESIGN RQ 3-1-62	SCALE NONE						
CHECK WN 3-1-62	DRAW LIG 3-17-62						
APPRO	CHECK						