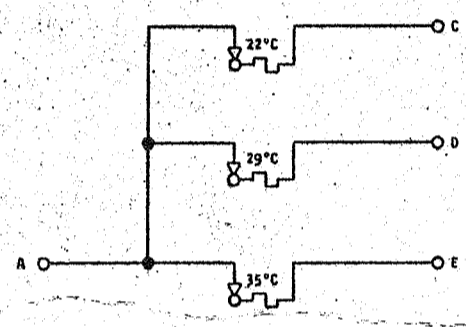
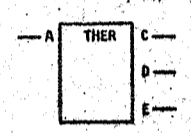


STANDARDS CODE  
729806

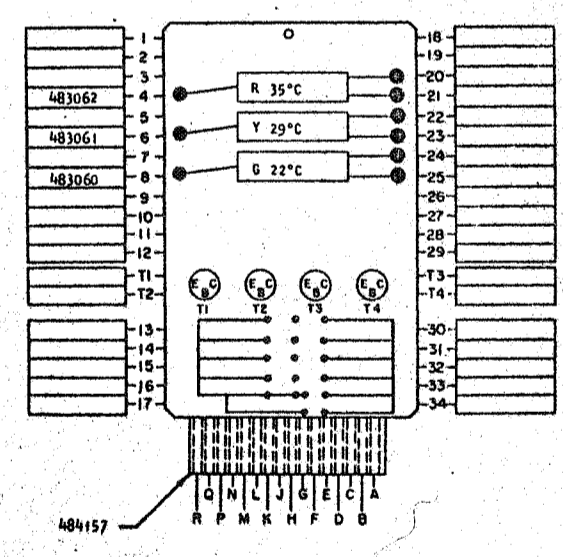
CARD CODE 729806  
A K B -

**REFERENCE DRAWING**  
SEE PRODUCTION DRAWING 370425

ALLOY-MEMORY THERMAL SWITCHES



1. CARD CONTROLS DRIVE CURRENT BY DECREASING CURRENT FOR AN INCREASE IN MEMORY AMBIENT TEMPERATURE



COMPONENT SIDE

CIRCUIT AND PACKAGING STANDARD	
APPROVAL	DATE
ABC	4-2-62

INTERNATIONAL BUSINESS MACHINES CORP.	DATE	CHANGE NO.	APPROVAL	DATE	CHANGE NO.	APPROVAL	DEVELOPMENT NO.
NAME: CARD ASM TSTR -ALLOY- MEMORY THERMAL SWITCHES	6-7-62	115599					
DESIGN: [ ] MODEL: SMS							
DETAIL: RQ 3-1-62 SCALE: NONE							
CHECK: WH 3-1-62 DRAW: LIG 3-17-62							
APPRO: [ ] CHECK: [ ]							

729806