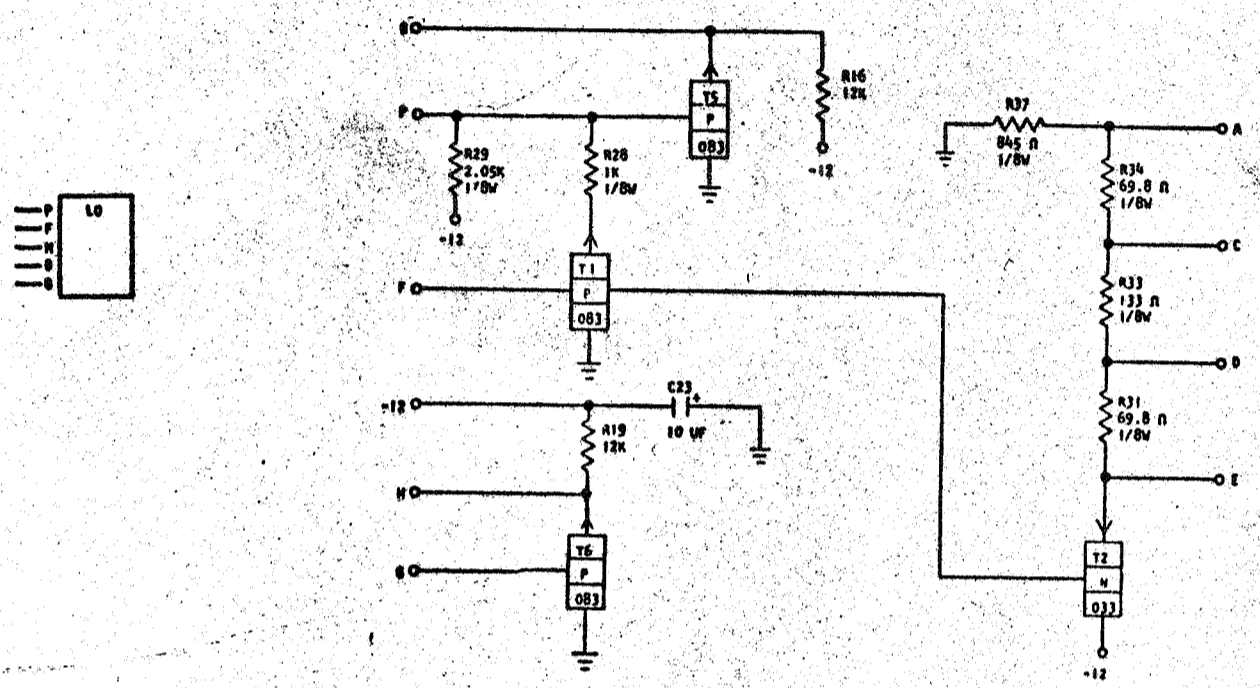


729952

CARD CODE 729952
Y D M -

REFERENCE DRAWING
SEE PRODUCTION DRAWING 370501

SENSE AMPLIFIER-CLIPPING LEVEL CONTROL



APPLICATION NOTES

HIGH ACCEPTANCE - READ WHILE WRITE CONDITION
PIN F 0.0V +S
PIN P -12.5V

LOW SPEED TAPE
PIN F 0.0V +S
PIN P -12.5V

HIGH SPEED TAPE
PIN F 0.0V +S
PIN P 0.0V

READ CONDITION

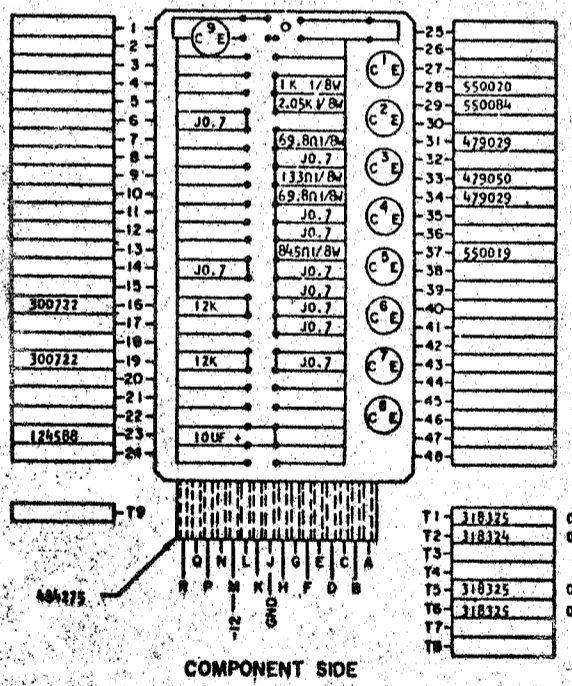
HIGH AND LOW SPEED DRIVES
PIN F -12V
PIN B -11.1V TO -12.5V

LOW ACCEPTANCE
PIN F 0.0 VOLTS
PIN P -12 VOLTS

PIN B -3.07V TO -5.09V

PIN B -.2V TO -.5V

PIN H 0.0V
PIN H -0.03 TO -12.5 DEPENDS ON WHAT PIN (A,C,D,E) IS TIED TO



CIRCUIT AND PACKAGING STANDARDS	
APPROVAL	DATE
ABC	4-2-62

INTERNATIONAL BUSINESS MACHINES CORP.	DATE	CHANGE NO.	APPROVAL	DATE	CHANGE NO.	APPROVAL	DEVELOPMENT NO.
NAME CARD ASM TSTR-SENSE	4-2-62	6C115599					729952
AMPLIFIER-CLIPPING LEVEL CONTROL	3-2-63	JT83687					
DESIGN	RQ	3-1-62	WHEI	ROME			
CHECK	WH	3-1-62	ORRO	LIG	3-17-62		
APPROV			CHECK				

C