

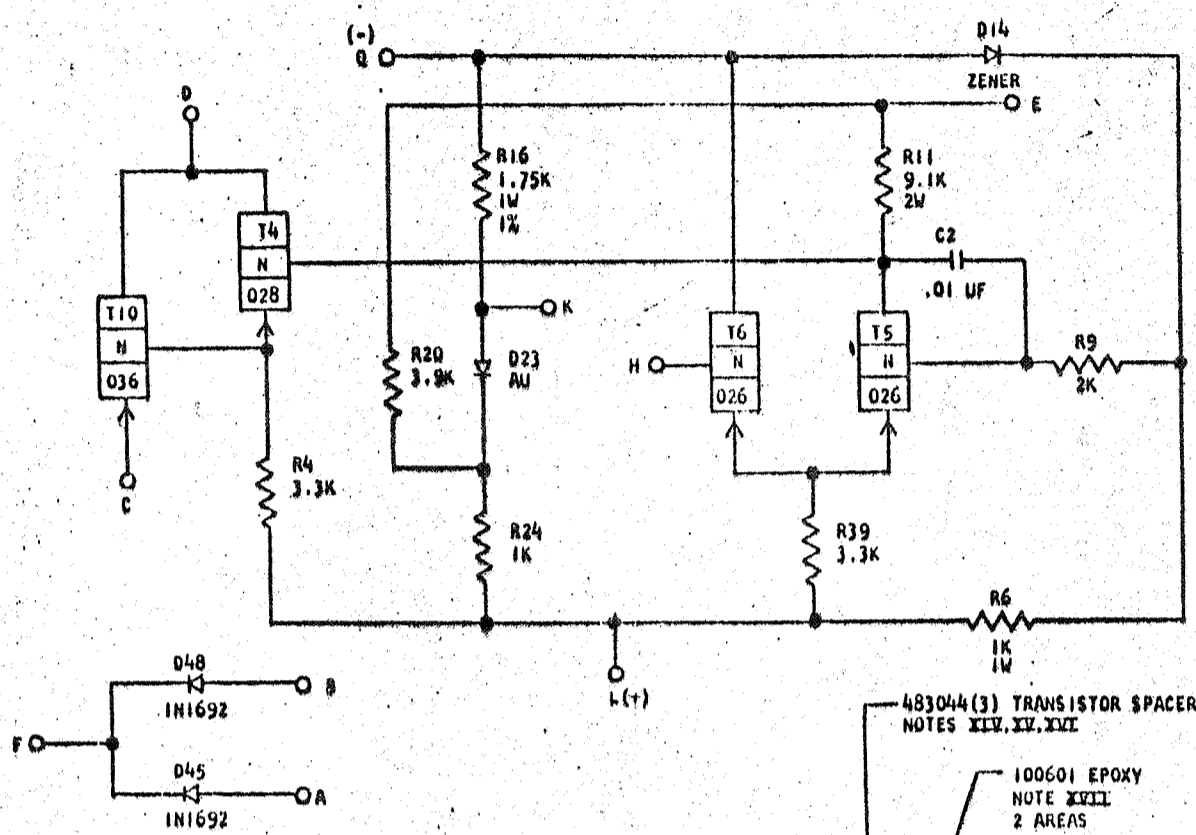
370607

20 VOLT DIFF AMPLIFIER
MOUNT CARD ON ONE-INCH CENTERS - NOTE XIII

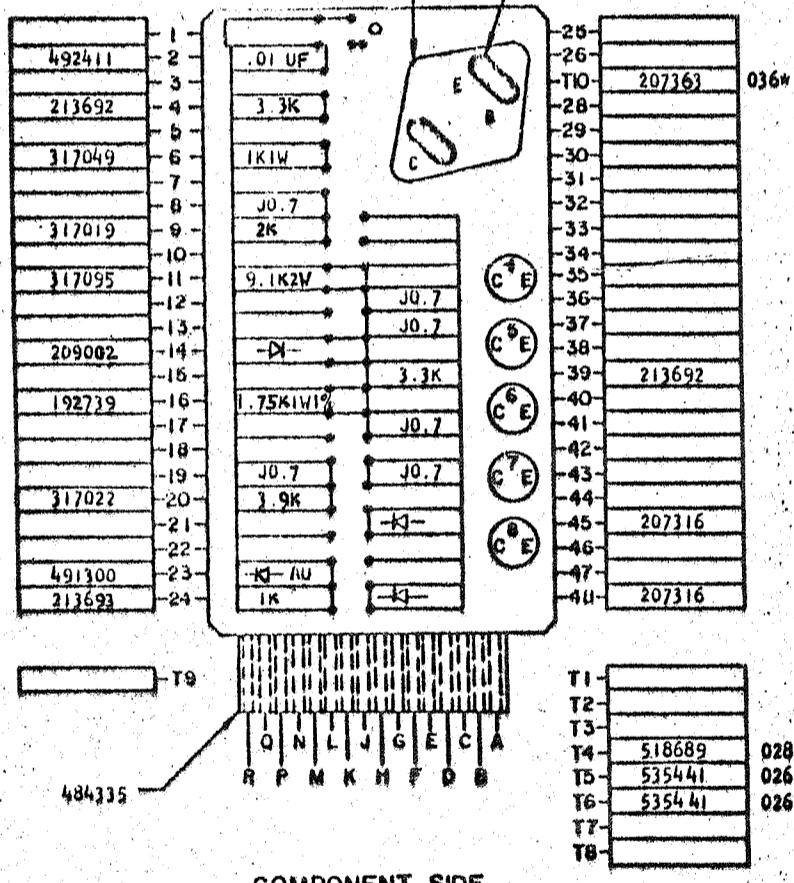
RESTRICTED NOTE XIV

370607

STANDARD CODE
2-7040



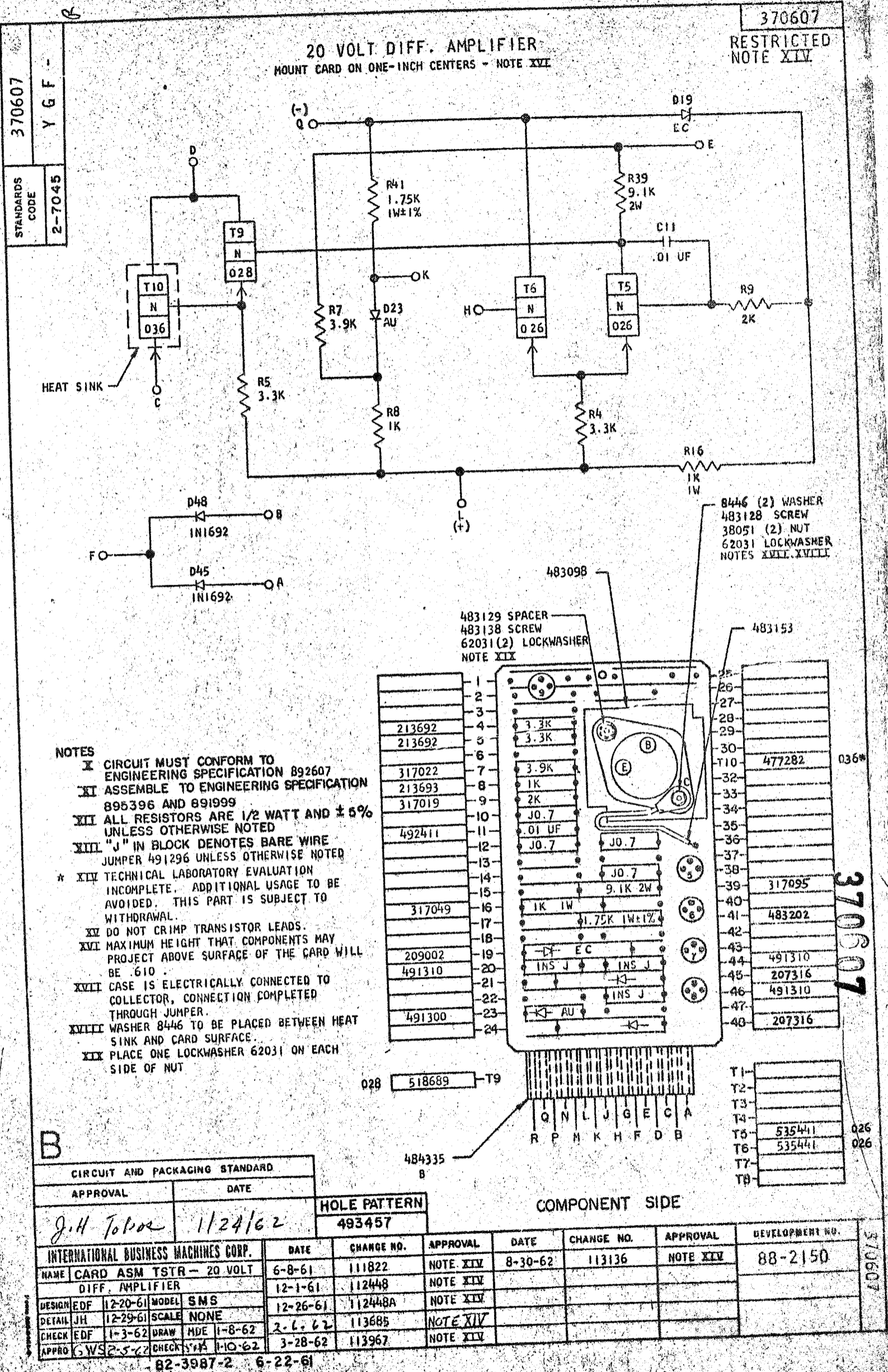
- NOTES
- I CIRCUIT MUST CONFORM TO ENGINEERING SPECIFICATION
 - II ASSEMBLE TO ENGINEERING SPECIFICATION 895396 AND 891999
 - III ALL RESISTORS ARE 1/2 WATT AND ±5% UNLESS OTHERWISE NOTED
 - III "J" IN BLOCK DENOTES BARE WIRE JUMPER, 491296
 - IV TECHNICAL LABORATORY EVALUATION INCOMPLETE. ADDITIONAL USAGE TO BE AVOIDED. THIS PART IS SUBJECT TO WITHDRAWAL.
 - V DO NOT CRIMP TRANSISTOR LEADS. HAND SOLDER TRANSISTOR TO BOARD AFTER CLEANING. MOUNT TRANSISTOR .015 MIN TO .020 MAX ABOVE SURFACE OF CARD. USE SPACER 483044(3) ON TRANSISTOR 207363. PUT TWO BEADS OF 100601 EPOXY ACROSS THE BOTTOM OF 036 TRANSISTOR 207363 AND BAKE AT 125°±5°F FOR 20 MINUTES MIN.
 - VI CUT INSULATING TAPE PART NUMBER 483029 TO A DIA OF .750±.010 AND APPLY TO TOP OF TRANSISTOR 207363
 - VII EPOXY AREAS TO BE 3/16 TO 1/4 INCH WIDE BY APPROXIMATELY .030 HEIGHT BEFORE MOUNTING.
 - VIII MAXIMUM HEIGHT THAT COMPONENTS MAY PROJECT ABOVE SURFACE OF THE CARD WILL BE .405



B

CIRCUIT AND PACKAGING STANDARD	
APPROVAL	DATE

INTERNATIONAL BUSINESS MACHINES CORP.	DATE	CHANGE NO.	APPROVAL	DATE	CHANGE NO.	APPROVAL	DEVELOPMENT NO.
NAME CARD ASM TSTH- 20 VOLT DIFF AMPLIFIER	6-8-61	111822	NOTE XIV				88-2150
DESIGN RFS 4-19-61							
DETAIL RFS 4-19-61							
CHECK RFS 6-7-61							
APPROV CHS 6-7-61							



- NOTES**
- X CIRCUIT MUST CONFORM TO ENGINEERING SPECIFICATION 892607
 - XI ASSEMBLE TO ENGINEERING SPECIFICATION 898396 AND 891999
 - XII ALL RESISTORS ARE 1/2 WATT AND ± 5% UNLESS OTHERWISE NOTED
 - XIII "J" IN BLOCK DENOTES BARE WIRE JUMPER 491296 UNLESS OTHERWISE NOTED
 - * XIV TECHNICAL LABORATORY EVALUATION INCOMPLETE. ADDITIONAL USAGE TO BE AVOIDED. THIS PART IS SUBJECT TO WITHDRAWAL.
 - XV DO NOT CRIMP TRANSISTOR LEADS.
 - XVI MAXIMUM HEIGHT THAT COMPONENTS MAY PROJECT ABOVE SURFACE OF THE CARD WILL BE .610
 - XVII CASE IS ELECTRICALLY CONNECTED TO COLLECTOR, CONNECTION COMPLETED THROUGH JUMPER.
 - XVIII WASHER 8446 TO BE PLACED BETWEEN HEAT SINK AND CARD SURFACE.
 - XIX PLACE ONE LOCKWASHER 62031 ON EACH SIDE OF NUT

CIRCUIT AND PACKAGING STANDARD		HOLE PATTERN		APPROVAL				DEVELOPMENT NO.
APPROVAL	DATE	493457						
J.H. Toloz 1/24/62								
INTERNATIONAL BUSINESS MACHINES CORP.		DATE	CHANGE NO.	APPROVAL	DATE	CHANGE NO.	APPROVAL	DEVELOPMENT NO.
NAME CARD ASM TSTR - 20 VOLT DIFF. AMPLIFIER		6-8-61	111822	NOTE XIV	8-30-62	113136	NOTE XIV	88-2150
DESIGN	EDF 12-20-61	MODEL	SMS					
DETAIL	JH 12-29-61	SCALE	NONE					
CHECK	EDF 1-3-62	DRAW	MDE 1-8-62	2-6-62	113685		NOTE XIV	
APPRO	WS 2-5-62	CHECK	WH 1-10-62	3-28-62	113967		NOTE XIV	
		82-3987-2		6-22-61				

370607

370607