

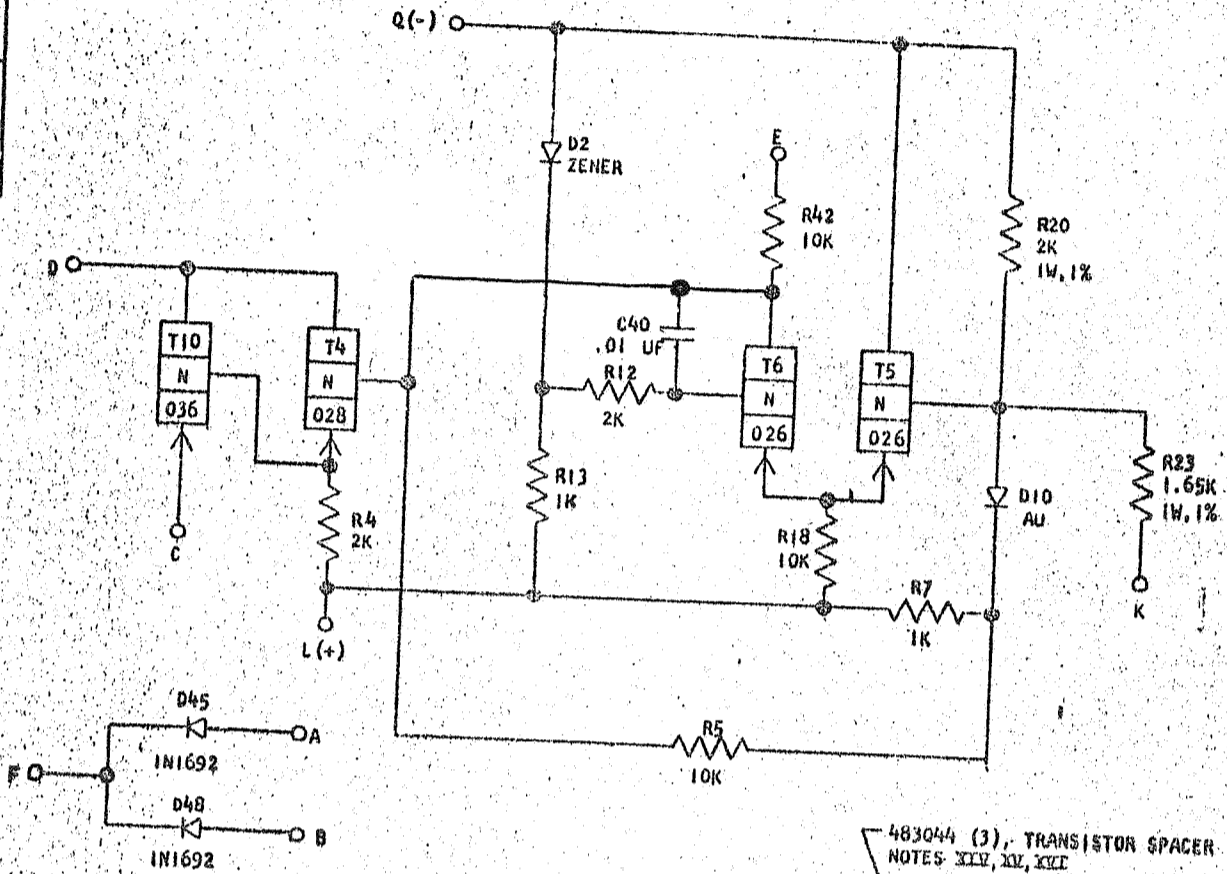
370611

STANDARDS CODE  
2-7045

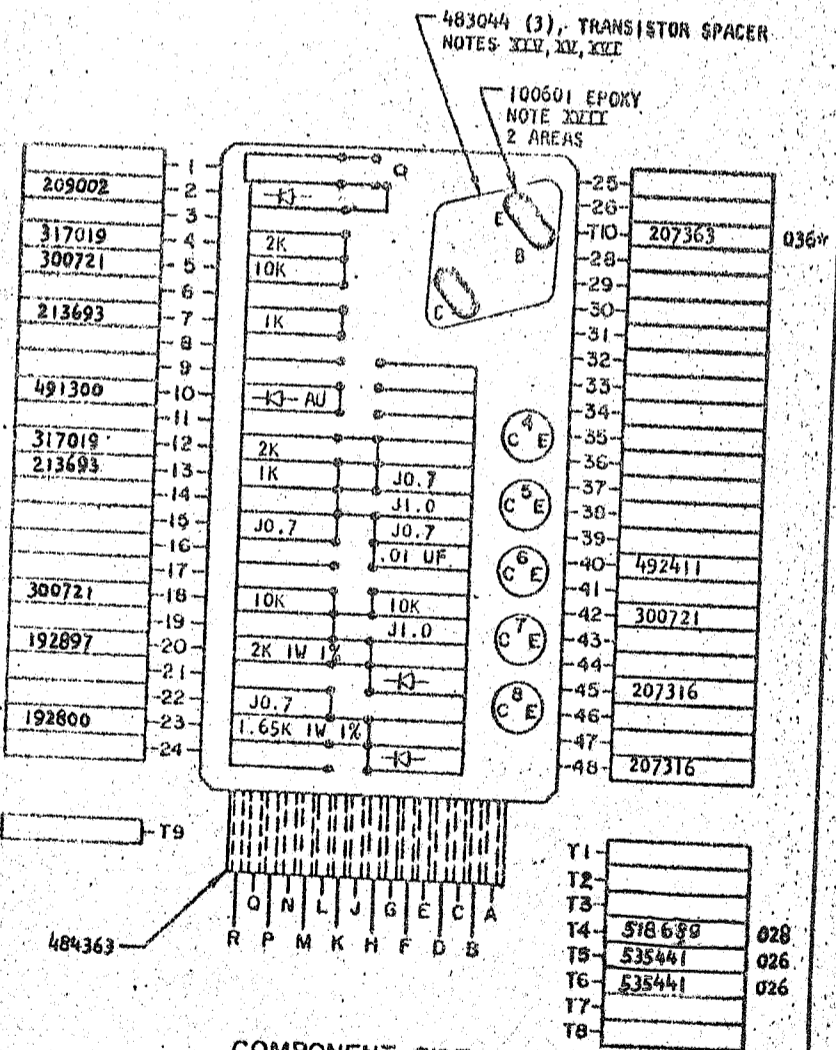
20 VOLT AT 15 AMP DIFF AMPLIFIER  
MOUNT CARD ON ONE INCH CENTERS - NOTE XVIII

370611

RESTRICTED NOTE XIV



- NOTES
- XI CIRCUIT MUST CONFORM TO ENGINEERING SPECIFICATION
  - XII ASSEMBLE TO ENGINEERING SPECIFICATION 895396 AND 891999
  - XIII ALL RESISTORS ARE 1/2 WATT AND ±5% UNLESS OTHERWISE NOTED
  - XIV "J" IN BLOCK DENOTES BARE WIRE JUMPER, 491296
  - XV TECHNICAL LABORATORY EVALUATION INCOMPLETE. ADDITIONAL USAGE TO BE AVOIDED. THIS PART IS SUBJECT TO WITHDRAWAL DO NOT CRIMP TRANSISTOR LEADS. HAND SOLDER TRANSISTOR TO BOARD AFTER CLEANING. MOUNT TRANSISTOR .015 MIN TO .020 MAX. ABOVE SURFACE OF CARD. USE SPACER 483044 (3) ON TRANSISTOR 207363. PUT TWO BEADS OF 100601 EPOXY ACROSS THE BOTTOM OF 036 TRANSISTOR 207363 AND BAKE AT 125° ±5°F FOR 20 MINUTES MIN.
  - XVI CUT INSULATING TAPE PART NUMBER 483029 TO A DIA OF .750 ±.010 AND APPLY TO TOP OF TRANSISTOR 207363.
  - XVII EPOXY AREAS TO BE 3/16 TO 1/4 INCH WIDE BY APPROXIMATELY .030 HEIGHT BEFORE MOUNTING.
  - XVIII MAXIMUM HEIGHT THAT COMPONENTS MAY PROJECT ABOVE SURFACE OF THE CARD WILL BE .405.



B

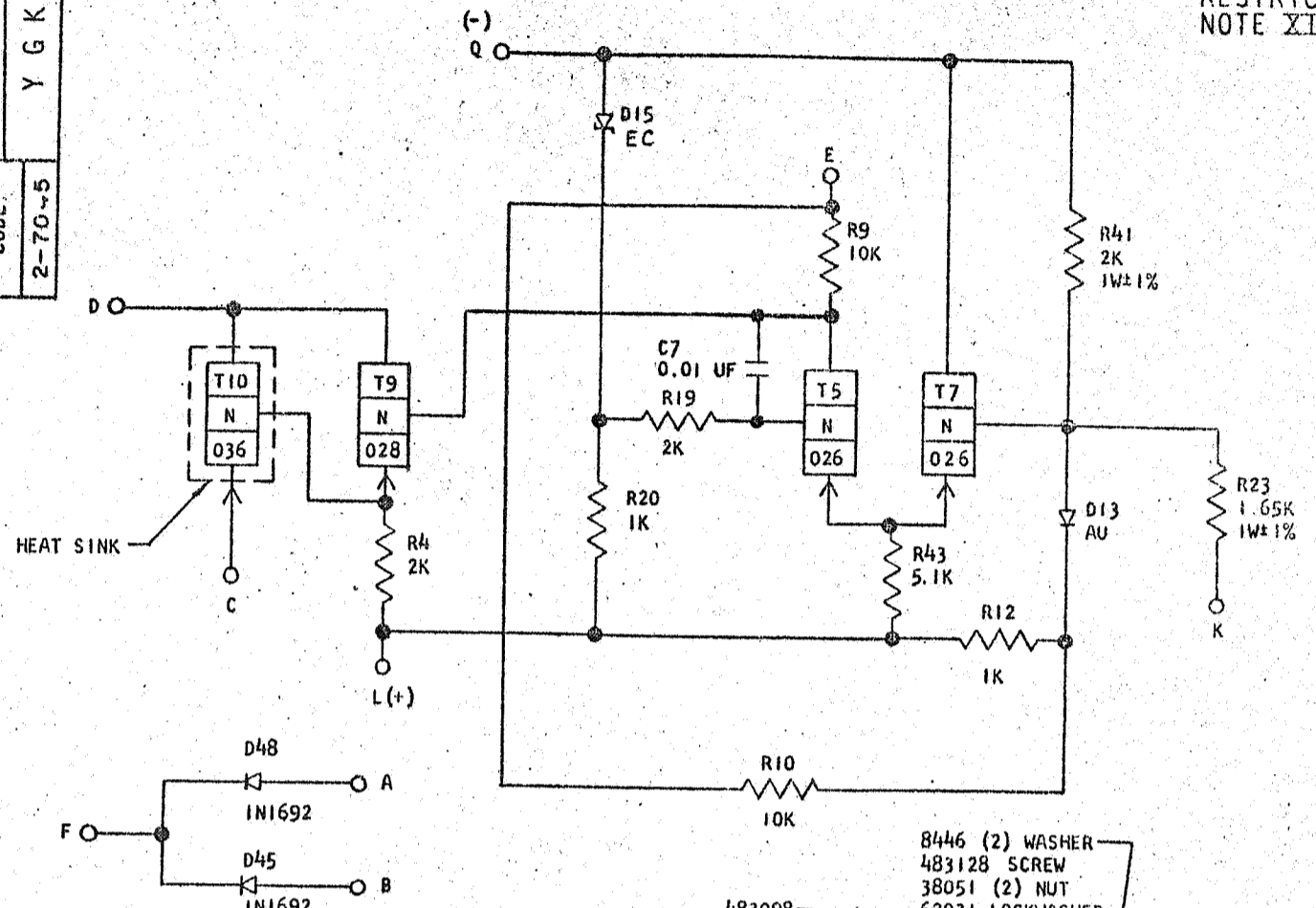
CIRCUIT AND PACKAGING STANDARD		APPROVAL		DATE	
INTERNATIONAL BUSINESS MACHINES CORP.					
NAME	CARD ASM YSTR-20 VOLT	DATE	6-8-61	CHANGE NO.	111822
DESIGN	A3 15 AMP DIFF AMPLIFIER	APPROVAL	NOTE XIV	DATE	
DETAIL	HFS 5-1-61 TYPE SMS PWR SUP	DEVELOPMENT NO.	88-2160A	APPROVAL	
CHECK	HFS 5-1-61 SCALE NONE				
APPR	VE 6-1-61 DRAW VE 5-15-61				
	VE 6-7-61 CHECK VOD F-18-61				

370611

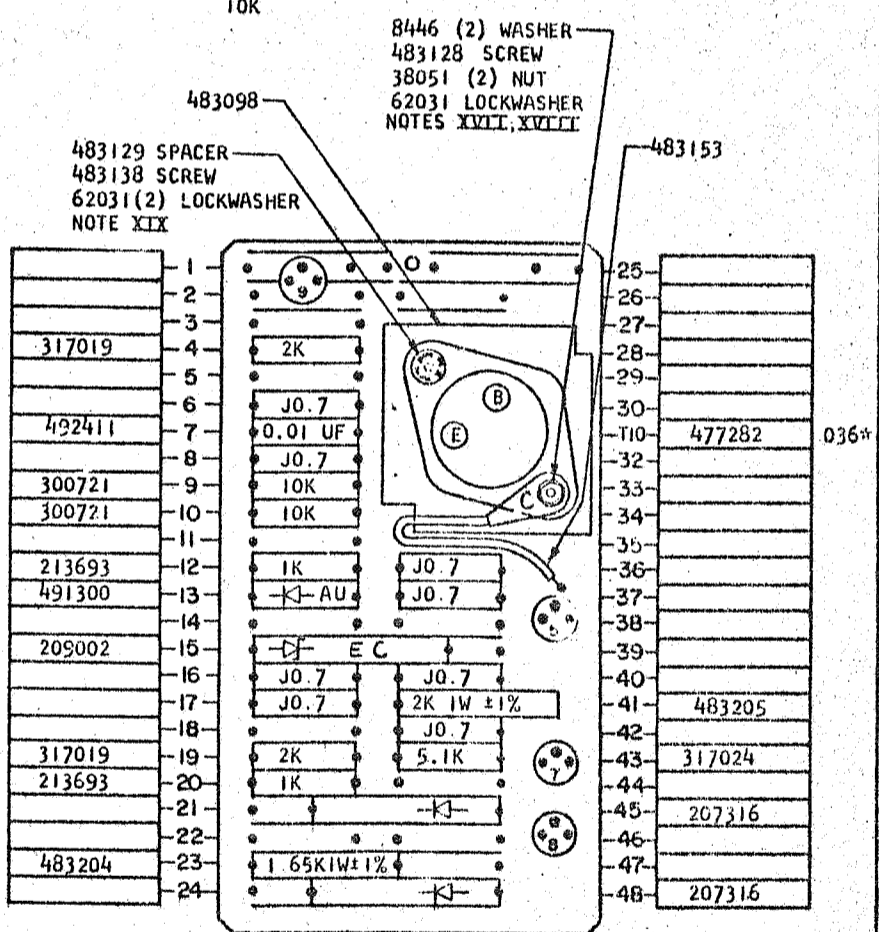
**20 VOLT AT 15 AMP DIFF AMPLIFIER**  
MOUNT CARD ON ONE INCH CENTERS - NOTE XVII

370611  
RESTRICTED  
NOTE XIV

370611  
STANDARDS CODE  
2-70-5  
Y G K -



- NOTES**
- X CIRCUIT MUST CONFORM TO ENGINEERING SPECIFICATION 892611
  - XI ASSEMBLE TO ENGINEERING SPECIFICATION 895396 AND 891999
  - XII ALL RESISTORS ARE 1/2 WATT AND  $\pm 5\%$  UNLESS OTHERWISE NOTED
  - XIII "J" IN BLOCK DENOTES BARE WIRE JUMPER 491296
  - XIV TECHNICAL LABORATORY EVALUATION INCOMPLETE. ADDITIONAL USAGE TO BE AVOIDED. THIS PART IS SUBJECT TO WITHDRAWAL.
  - XV DO NOT CRIMP TRANSISTOR LEADS.
  - XVI MAXIMUM HEIGHT THAT COMPONENTS MAY PROJECT ABOVE SURFACE OF THE CARD WILL BE .610.
  - XVII CASE IS ELECTRICALLY CONNECTED TO COLLECTOR, CONNECTION COMPLETED THROUGH JUMPER.
  - XVIII WASHER 8446 TO BE PLACED BETWEEN HEAT SINK AND CARD SURFACE.
  - XIX PLACE ONE LOCKWASHER 62031 ON EACH SIDE OF NUT



**B**

CIRCUIT AND PACKAGING STANDARD		HOLE PATTERN	
APPROVAL	DATE	493457	
J. H. Tokoz		1/24/62	

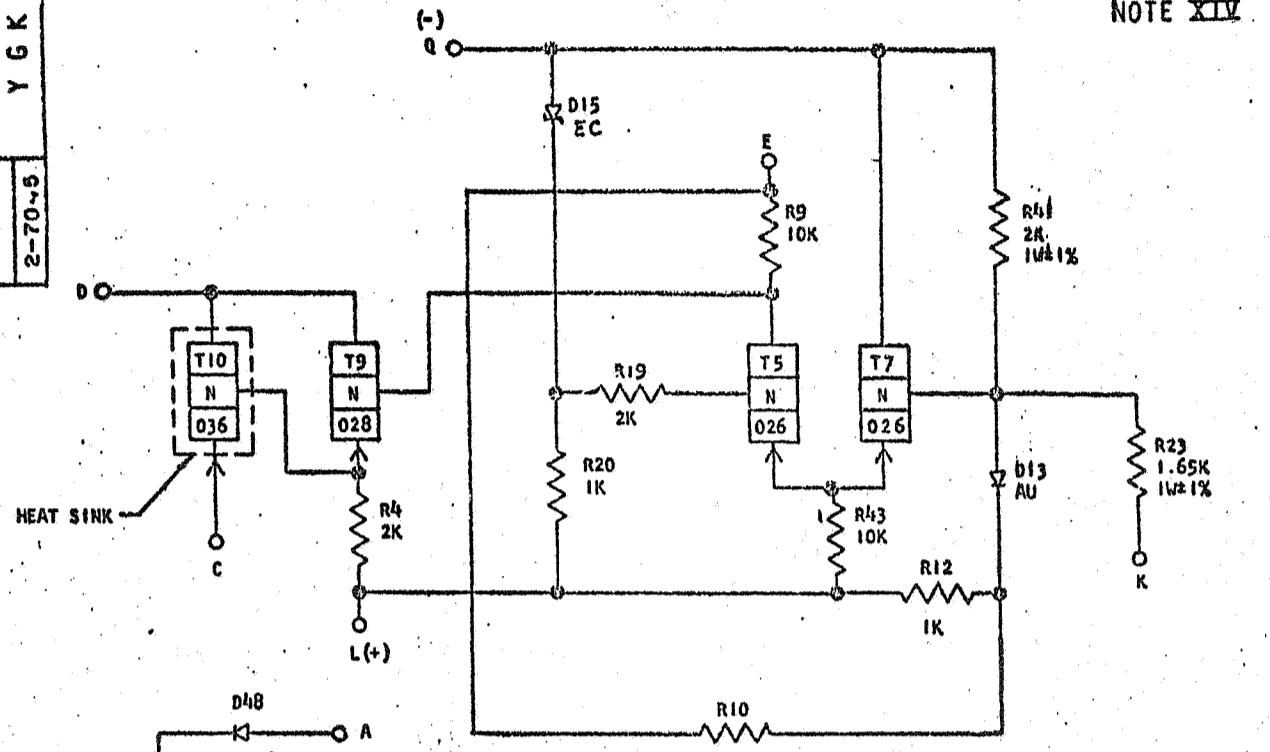
INTERNATIONAL BUSINESS MACHINES CORP.				DATE	CHANGE NO.	APPROVAL	DATE	CHANGE NO.	APPROVAL	DEVELOPMENT NO.
NAME				6-8-61	111822	NOTE XIV	8-30-62	113136	NOTE XIV	88-2160A
AT 15 AMP DIFF AMPLIFIER				12-1-61	112448	NOTE XIV				
DESIGN				12-29-61	112448A	NOTE XIV				370611
DETAIL				2-6-62	113685	NOTE XIV				
CHECK				3-28-62	113967	NOTE XIV				

82-3987-2 6-22-61

20 VOLT AT 15 AMP DIFF AMPLIFIER  
MOUNT CARD ON ONE INCH CENTERS - NOTE XIII

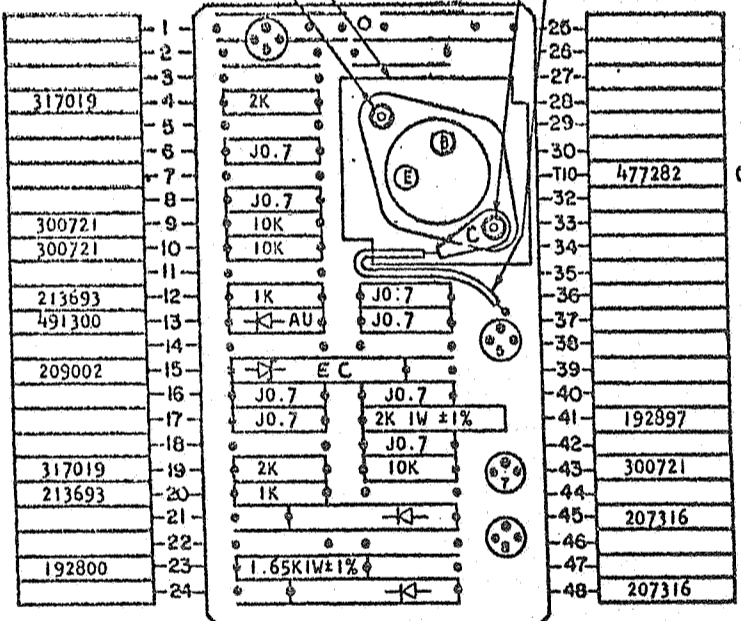
370611  
RESTRICTED  
NOTE XIV

370611  
Y G K -  
STANDARDS  
CODE  
2-70-9



- 8446 (2) WASHER
- 483128 (2) SCREW
- 38051 (2) NUT
- 62031 LOCKWASHER
- 109262 BARE WIRE
- CRIMP TERMINAL
- NOTES XIII, XVIII
- 491296 WIRE
- 2129730 TUBING

- NOTES
- X CIRCUIT MUST CONFORM TO ENGINEERING SPECIFICATION 892611
  - XI ASSEMBLE TO ENGINEERING SPECIFICATION 895396 AND 891999, 890130.
  - XII ALL RESISTORS ARE 1/2 WATT AND ± 5% UNLESS OTHERWISE NOTED
  - XIII "J" IN BLOCK DENOTES BARE WIRE JUMPER 491296
  - XIV TECHNICAL LABORATORY EVALUATION INCOMPLETE. ADDITIONAL USAGE TO BE AVOIDED. THIS PART IS SUBJECT TO WITHDRAWAL.
  - XV DO NOT CRIMP TRANSISTOR LEADS.
  - XVI MAXIMUM HEIGHT THAT COMPONENTS MAY PROJECT ABOVE SURFACE OF THE CARD WILL BE .610.
  - XVII CASE IS ELECTRICALLY CONNECTED TO COLLECTOR, CONNECTION COMPLETED THROUGH JUMPER.
  - XVIII WASHER 8446 TO BE PLACED BETWEEN HEAT SINK AND CARD SURFACE.



CIRCUIT AND PACKAGING STANDARD	
APPROVAL	DATE
<i>J.H. Tolson</i>	1/24/62

HOLE PATTERN
493457

COMPONENT SIDE

INTERNATIONAL BUSINESS MACHINES CORP.	DATE	CHANGE NO.	APPROVAL	DATE	CHANGE NO.	APPROVAL	DEVELOPMENT NO.
NAME CARD ASM TSTR -20 VOLT AT 15 AMP DIFF AMPLIFIER	6-8-61	111822	NOTE XIV				88-2160A
DESIGN EDF 12-20-61	12-1-61	112448	NOTE XIV				
DETAIL JH 12-29-61	12-26-61	112448A	NOTE XIV				
CHECK EDF 1-4-62	2-6-62	113695	NOTE XIV				
APPRO GWS 2-5-62	CHECK WBS 1-10-62						

82-3987-2 6-22-61

370611