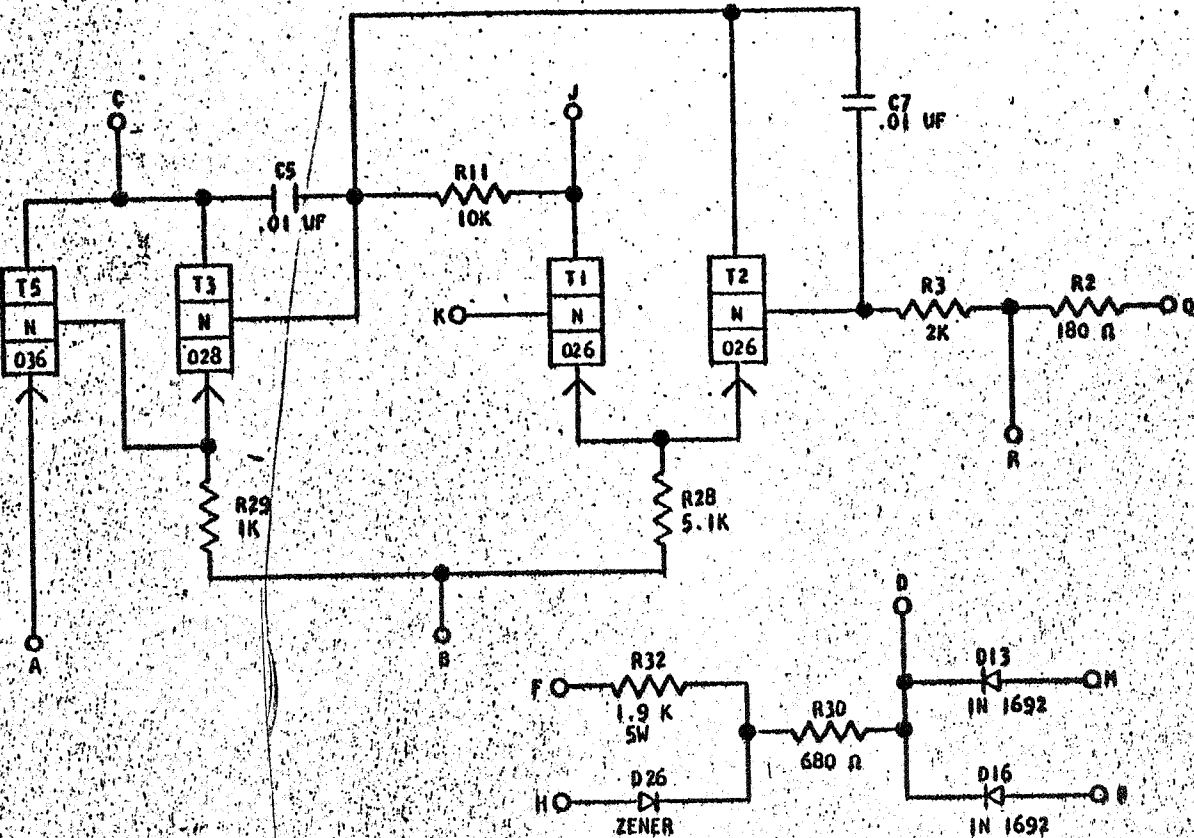


370616

3 VOLT MARGINAL CHECK DIFF AMP  
MOUNT CARD ON ONE INCH CENTERS - NOTE XVIII

RESTRICTED NOTE XIV

STANDARDS CODE  
2-7045

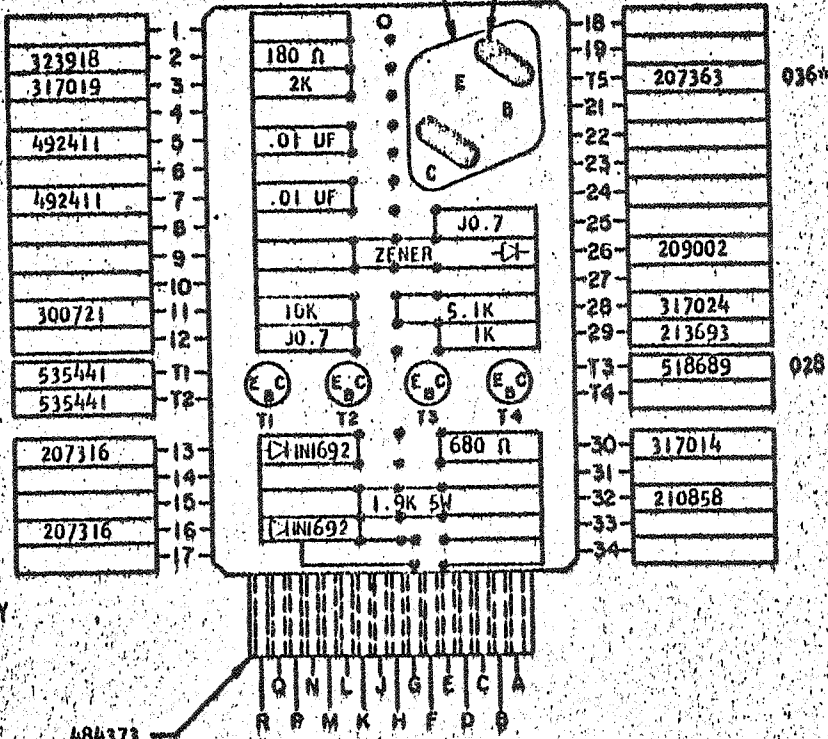


483044 TSTR 5PCR  
NOTES XIV, XV, XVI

100601 EPOXY  
NOTE XVII  
2 AREAS

NOTES

- X CIRCUIT MUST CONFORM TO ENGINEERING SPECIFICATION
- XI ASSEMBLE TO ENGINEERING SPECIFICATION 896396 AND 891899
- XII ALL RESISTORS ARE 1/2 WATT AND ±5% UNLESS OTHERWISE NOTED
- XIII "J" IN BLOCK DENOTES BARE WIRE JUMPER, 491296
- XIV TECHNICAL LABORATORY EVALUATION INCOMPLETE. ADDITIONAL USAGE TO BE AVOIDED. THIS PART SUBJECT TO WITHDRAWAL.
- XV DO NOT CRIMP TSTR LEADS. HAND SOLDER TSTR TO BOARD AFTER CLEANING. MOUNT TSTR .015 MIN TO .020 MAX ABOVE SURFACE OF CARD. USE SPACER 483044 (3) ON TSTR 207363. PUT TWO BEADS OF 100601 EPOXY ACROSS THE BOTTOM OF 036 TSTR 207363 AND BAKE AT 125 ± 5°F FOR 20 MINUTES MIN.
- XVI CUT INSULATING TAPE PART NO. 483029 TO A DIA OF .750 ± .010 AND APPLY TO TOP OF TSTR 207363.
- XVII EPOXY AREAS TO BE 3/16 TO 1/4 INCH WIDE BY APPROX .030 HEIGHT BEFORE MOUNTING
- XVIII MAX HEIGHT THAT COMPONENTS MAY PROJECT ABOVE SURFACE OF CARD WILL BE .405



CIRCUIT AND PACKAGING STANDARD	
APPROVAL	DATE

COMPONENT SIDE

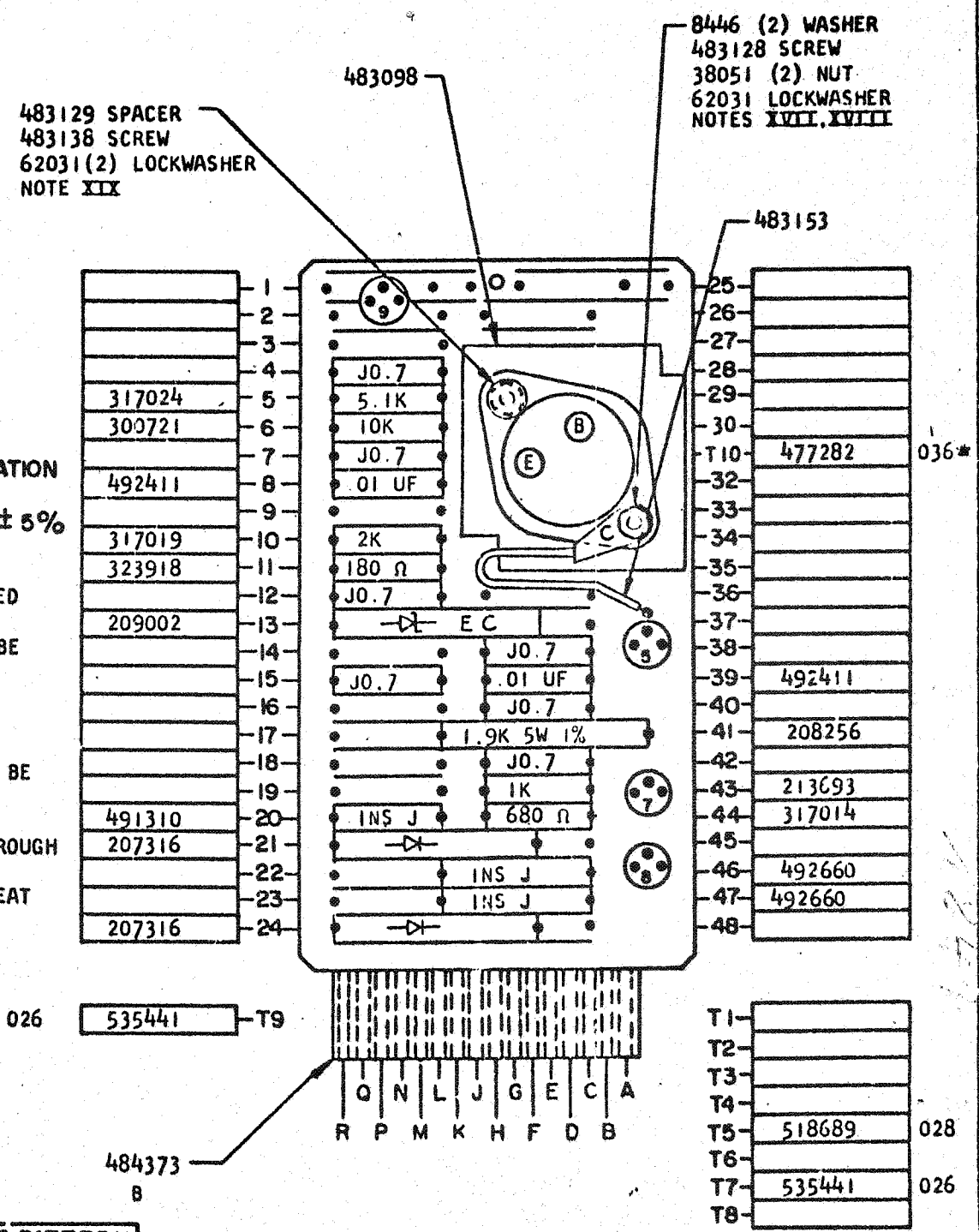
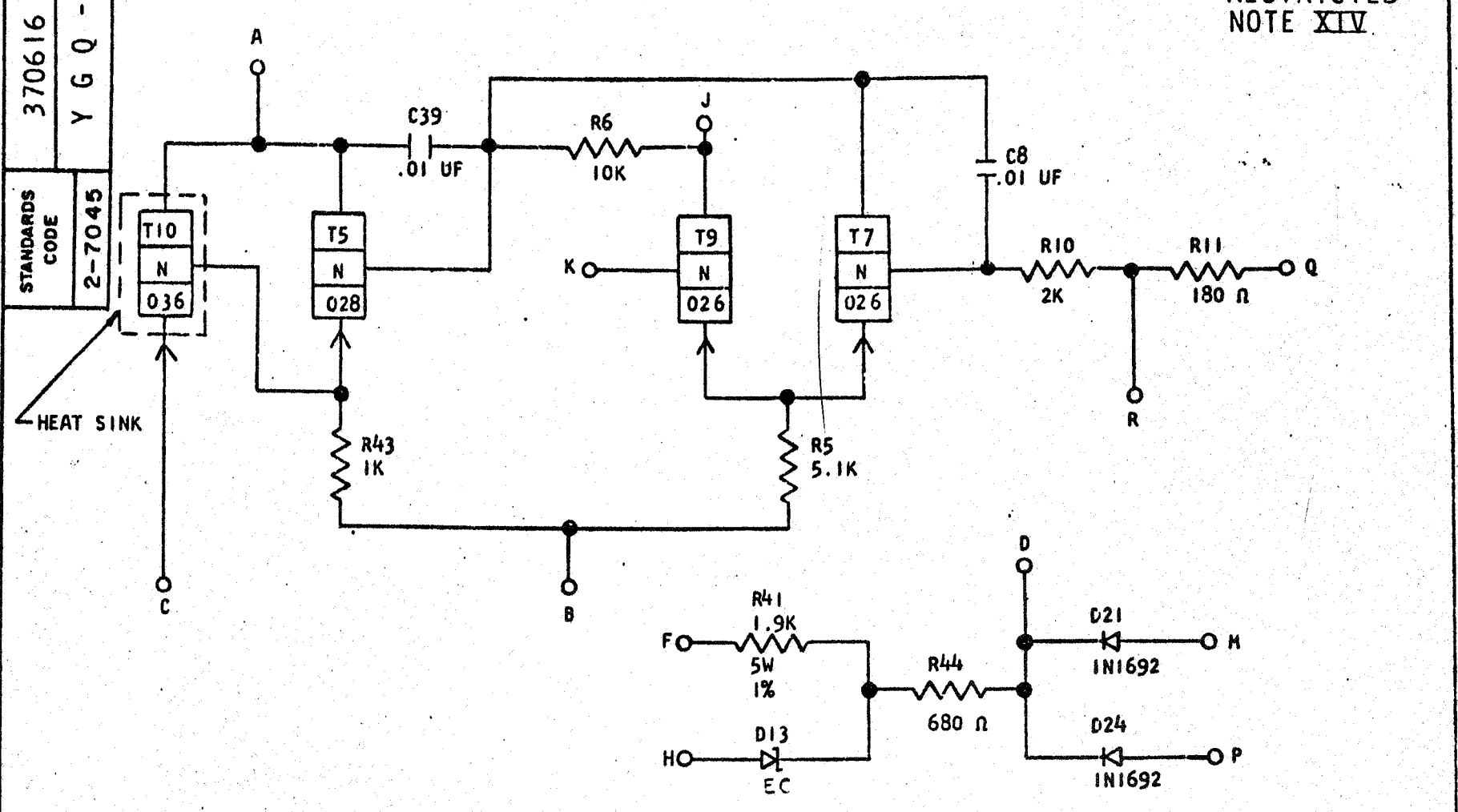
INTERNATIONAL BUSINESS MACHINES CORP.		DATE	CHANGE NO.	APPROVAL	DATE	CHANGE NO.	APPROVAL	DEVELOPMENT NO.
NAME	CARD ASM TSTR-3 VOLT	6-8-61	111822	NOTE XIV				88-2165
MARGINAL CHECK DIFF AMP								
DESIGN	RFS	5-11-61	SCALE	NONE				
DETAIL								
CHECK								
APPROV								

370616

3 VOLT MARGINAL CHECK DIFF AMP  
MOUNT CARD ON ONE-INCH CENTERS - NOTE XVI

370616

RESTRICTED  
NOTE XIV



- NOTES
- X CIRCUIT MUST CONFORM TO ENGINEERING SPECIFICATION 892616
  - XI ASSEMBLE TO ENGINEERING SPECIFICATION 895396 AND 891999
  - XII ALL RESISTORS ARE 1/2 WATT AND  $\pm 5\%$  UNLESS OTHERWISE NOTED
  - XIII "J" IN BLOCK DENOTES BARE WIRE JUMPER 491296 UNLESS OTHERWISE NOTED
  - \* XIV TECHNICAL LABORATORY EVALUATION INCOMPLETE. ADDITIONAL USAGE TO BE AVOIDED. THIS PART SUBJECT TO WITHDRAWAL.
  - XV DO NOT CRIMP TRANSISTOR LEADS.
  - XVI MAXIMUM HEIGHT THAT COMPONENTS MAY PROJECT ABOVE SURFACE OF CARD WILL BE .610.
  - XVII CASE IS ELECTRICALLY CONNECTED TO COLLECTOR, CONNECTION COMPLETED THROUGH JUMPER.
  - XVIII WASHER 8446 TO BE PLACED BETWEEN HEAT SINK AND CARD SURFACE
  - XIX PLACE ONE LOCKWASHER 62031 ON EACH SIDE OF NUT

CIRCUIT AND PACKAGING STANDARD		APPROVAL		DATE		HOLE PATTERN		
		J H Tokos		1/24/62		493457		
INTERNATIONAL BUSINESS MACHINES CORP.		DATE	CHANGE NO.	APPROVAL	DATE	CHANGE NO.	APPROVAL	DEVELOPMENT NO.
NAME CARD ASM TSTR - 3 VOLT MARGINAL CHECK DIFF AMPLIFIER		6-8-61	111822	NOTE XIV				88-2165
DESIGN EDF 12-20-61 MODEL SMS		12-1-61	112448	NOTE XIV				
DETAIL JH 12-29-61 SCALE NONE		12-26-61	112448 A	NOTE XIV				
CHECK EDF 1-4-62 DRAW MDE 1-8-62		2-6-62	113685	NOTE XIV				
APPRO GWS 2-5-62 CHECK MDE 1-9-62		3-28-62	113967	NOTE XIV				

82-3987-2 6-22-61

370616