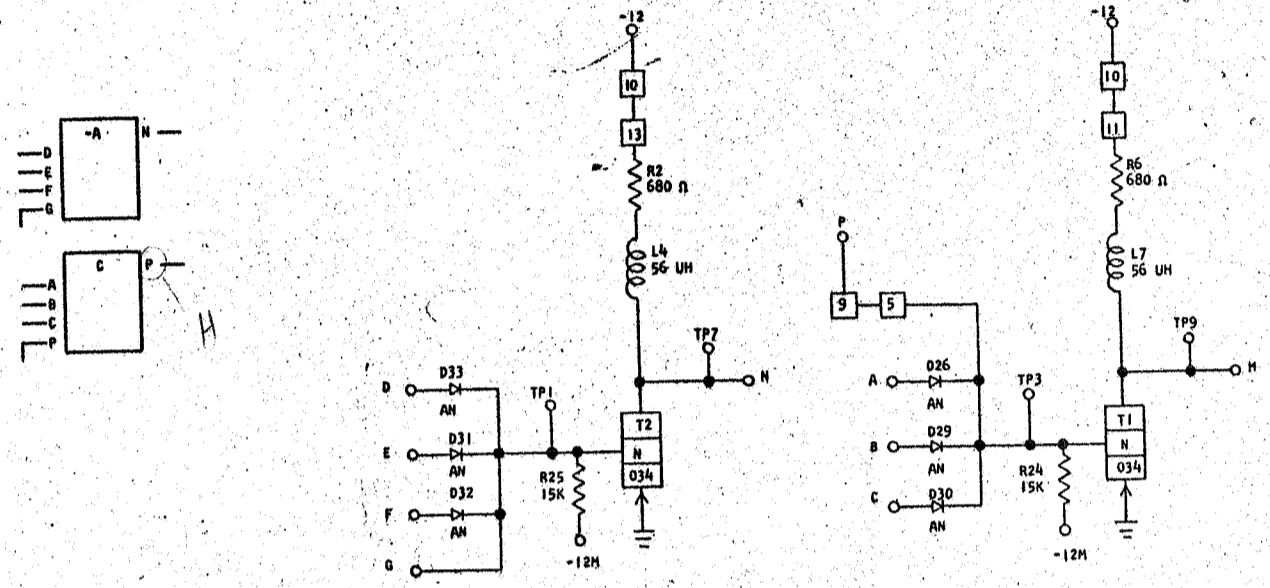


STANDARDS CODE
729831

CARD CODE 729831
CJ YC

REFERENCE DRAWING
SEE PRODUCTION DRAWING 371071

CTDL 3-WAY "AND" PNP
EXTENDABLE INPUTS



SEQUENCE OF OPERATION

1. ALL INPUTS DOWN TRANSISTOR ON OUTPUT UP
2. ANY INPUT UP TRANSISTOR OFF OUTPUT DOWN
3. INPUTS ON DIODE EXTENDER CARD MUST BE DOWN IN COINCIDENCE WITH INPUTS ON CARD FOR UP OUTPUT
4. LOGIC BLOCKS MAY HAVE SYMBOLS OTHER THAN SHOWN

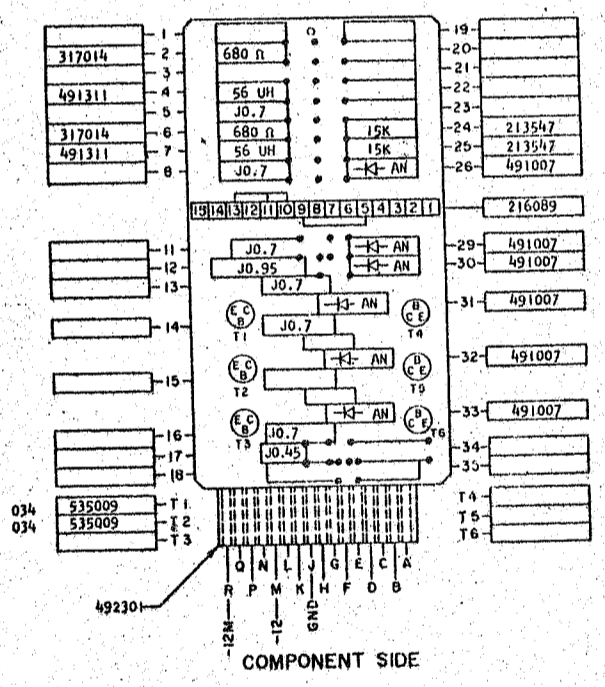
PINS	SIGNAL NAME	WAVE SHAPE	LEVELS	
			MIN	MAX
D, A	T INPUT	[Waveform]	UP 1.44	6.24
E, B	T INPUT	[Waveform]	DOWN -0.74	-6.24
F, C	T INPUT	[Waveform]	UP 1.44	6.24
N, H	U OUTPUT	[Waveform]	DOWN -0.74	-6.24
G, P	EXTENDER INPUT	[Waveform]	UP 1.44	6.24
			DOWN -7.44	-12.5
			UP +6	
			DOWN 0.0	

DELAY - USEC

	MINIMUM	MAXIMUM
TURN ON	0.10	0.80
TURN OFF	0.05	0.80*

*THIS DELAY CAN OCCUR ONLY ON HEAVILY LOADED BLOCKS.

NOTE: THE ABOVE RANGES OF DELAYS ARE REPRESENTATIVE. SPECIFIC CIRCUIT APPLICATION AND/OR WIRING CAPACITANCE MAY RESULT IN DELAYS WHICH ARE OUT OF THE GIVEN RANGES. IN SUCH CASES, CARD REPLACEMENT SHOULD INDICATE IF THE CIRCUIT IS OUT OF SPECIFICATIONS. EXAMPLE: LOGIC BLOCK DRIVING OF "OR".



CIRCUIT AND PACKAGING STANDARD	
APPROVAL	DATE
ABC	4-2-62

INTERNATIONAL BUSINESS MACHINES CORP.	DATE	CHANGE NO.	APPROVAL	DATE	CHANGE NO.	APPROVAL	DEVELOPMENT NO.
NAME: CARD ASM TSTR-CTDL-3 WAY	6-62	115599					
NAME: PNP-EXTENDABLE INPUTS							
DESIGN: RQ 3-1-62	SCALE: NONE						
CHECK: MH 3-1-62	DRAW: LIG 3-17-62						
APPRO: []	CHECK: []						

729831