

729835

STANDARDS CODE

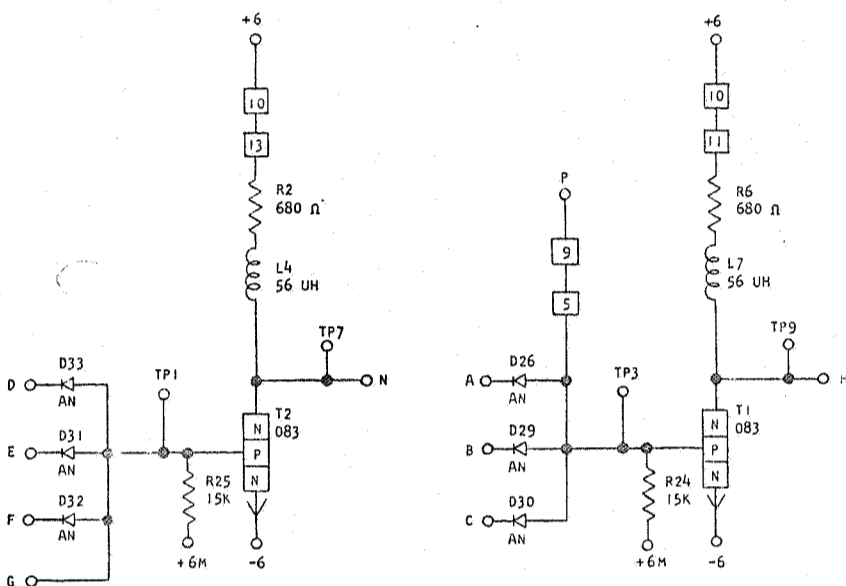
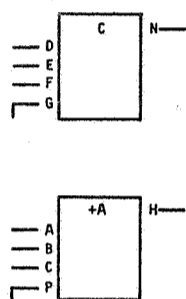
CARD CODE 729835

CK YC

REFERENCE DRAWING

SEE PRODUCTION DRAWING 371072

CTDL-3-WAY "AND" NPN EXTENDABLE INPUTS



SEQUENCE OF OPERATION

1. ALL INPUTS UP TRANSISTOR ON OUTPUT DOWN
2. ANY INPUT DOWN TRANSISTOR OFF OUTPUT UP
3. INPUTS ON THE EXTENDER CARD MUST BE UP IN COINCIDENCE WITH INPUTS ON CARD FOR DOWN OUTPUT
4. LOGIC BLOCKS MAY HAVE SYMBOLS OTHER THAN SHOWN

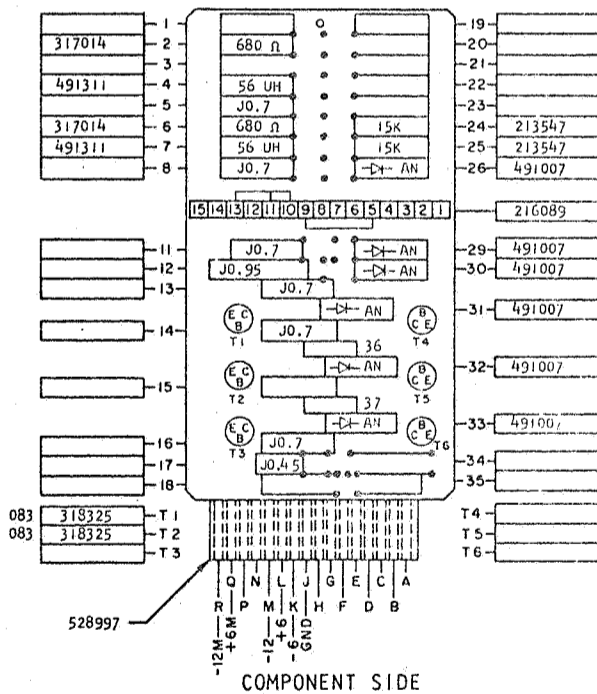
PINS	SIGNAL NAME	WAVE SHAPE	LEVELS	
			MIN	MAX
D, A	U INPUT		UP	-5.26 0.24
			DOWN	-7.44 -12.5
E, B	U INPUT		UP	-5.26 0.24
			DOWN	-7.44 -12.5
F, C	U INPUT		UP	-5.26 0.24
			DOWN	-7.44 -12.5
N, H	T OUTPUT		UP	1.44 6.24
			DOWN	-5.46 -6.24
G, P	EXTENDER INPUT		UP	-6
			DOWN	-12

DELAY - USEC

	MINIMUM	MAXIMUM
TURN ON	0.05	0.70
TURN OFF	0.05	1.50*

\*THIS DELAY CAN OCCUR ONLY ON HEAVILY LOADED BLOCKS.

NOTE: THE ABOVE RANGES OF DELAYS ARE REPRESENTATIVE. SPECIFIC CIRCUIT APPLICATION AND/OR WIRING CAPACITANCE MAY RESULT IN DELAYS WHICH ARE OUT OF THE GIVEN RANGES. IN SUCH CASES, CARD REPLACEMENT SHOULD INDICATE IF THE CIRCUIT IS OUT OF SPECIFICATIONS. EXAMPLE: LOGIC BLOCK DRIVING EF "OR".



CIRCUIT AND PACKAGING STANDARD	
APPROVAL	DATE
ABC	4-2-62

INTERNATIONAL BUSINESS MACHINES CORP.				DATE	CHANGE NO.	APPROVAL	DATE	CHANGE NO.	APPROVAL	DEVELOPMENT NO.
NAME	CARD ASM TSTR-CTDL 3 WAY			4-7-62	115599					729835
	"AND" NPN-EXTENDABLE INPUTS									
DESIGN	RQ	3-1-62	SCALE	NONE						
DETAIL	WH	3-1-62	DRAW	LIG	3-17-62					
CHECK										
APPRO			CHECK							