

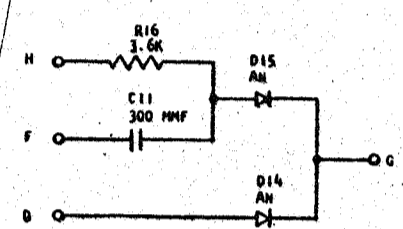
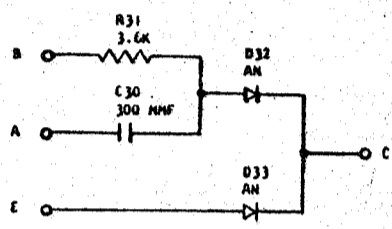
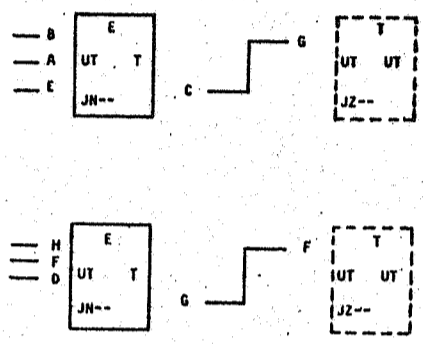
729881

STANDARDS CODE

CARD CODE 729881
JN --

REFERENCE DRAWING
SEE PRODUCTION DRAWING 371081

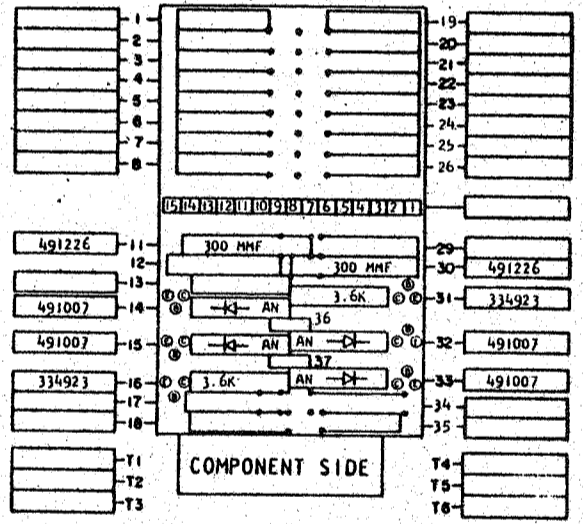
CTDL - TRIGGER GATE EXTENDER



SEQUENCE OF OPERATION

- 1. AN UP INPUT AT PINS E, D OR AN UP INPUT AT BOTH B, H AND A, F PROVIDES A POSITIVE OUTPUT AT PIN C, G.

PINS	SIGNAL NAME	WAVE SHAPE	LEVELS	
			MIN	MAX
B, H	U	GATE INPUT	UP	-5.3 0.2
A, F	U	AC SET INPUT	DOWN	-7.4 -12.5
E, D	T	DC SET INPUT	UP	1.44 6.2
C, G		EXTENDER OUTPUT	UP	1.44 6.2
			DOWN	-0.2 -0.2



CIRCUIT AND PACKAGING STANDARD	
APPROVAL	DATE
ABC	4-2-62

INTERNATIONAL BUSINESS MACHINES CORP.				DATE	CHANGE NO.	APPROVAL	DATE	CHANGE NO.	APPROVAL	DEVELOPMENT NO.
NAME CARD ASM ISTR - CTDL - TRIGGER GATE EXTENDER				7-62	115599					729881
DESIGN	RQ	3-1-62	SCALE	NGHE						
CHECK	WH	3-1-62	DRAW	LIG B-17-62						
APPRO			CHECK							

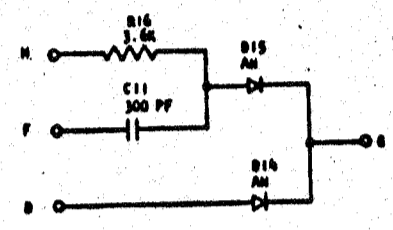
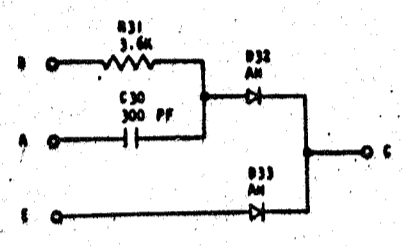
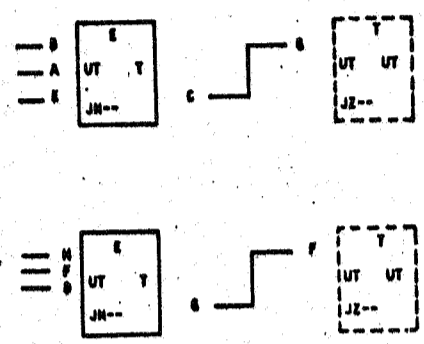
729881

STANDARDS CODE

CARD CODE 729881
JN --

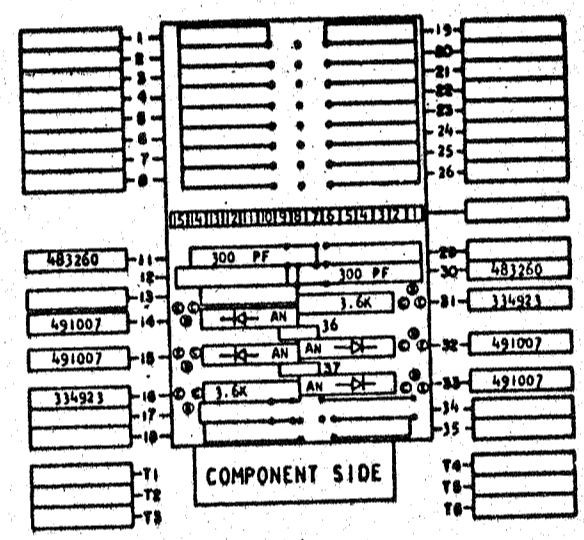
REFERENCE DRAWING
SEE PRODUCTION DRAWING 371081

CTDL - TRIGGER GATE EXTENDER



SEQUENCE OF OPERATION
1. AN UP INPUT AT PINS E, G OR AN UP INPUT AT BOTH B, H AND A, F PROVIDES A POSITIVE OUTPUT AT PIN C, G.

PINS	SIGNAL NAME	WAVE SHAPE	LEVELS	
			MIN	MAX
B, H, U	GATE INPUT	[Waveform]	UP -5.3	0.2
A, F, U	AC SET INPUT	[Waveform]	DOWN -7.4	-12.5
E, G, T	DC SET INPUT	[Waveform]	UP 1.44	6.2
C, G	EXTENDER OUTPUT	[Waveform]	DOWN -0.2	-0.2



CIRCUIT AND PACKAGING STANDARD	
APPROVAL	DATE
ABC	4-2-62

INTERNATIONAL BUSINESS MACHINES CORP.				DATE	CHANGE NO.	APPROVAL	DATE	CHANGE NO.	APPROVAL	DEVELOPMENT NO.
NAME	CARD ASM TSTR - CTDL - TRIGGER GATE EXTENDER	DATE	6-27-62	CHANGE NO.	115599	APPROVAL		DATE		DEVELOPMENT NO.
DESIGN		DATE	1-4-63	CHANGE NO.	EC116066	APPROVAL		DATE		DEVELOPMENT NO.
DETAIL		DATE	3-4-63	CHANGE NO.	JT83687	APPROVAL		DATE		DEVELOPMENT NO.
CHECK		DATE		CHANGE NO.		APPROVAL		DATE		DEVELOPMENT NO.
APPRO		DATE		CHANGE NO.		APPROVAL		DATE		DEVELOPMENT NO.

729881