

729827

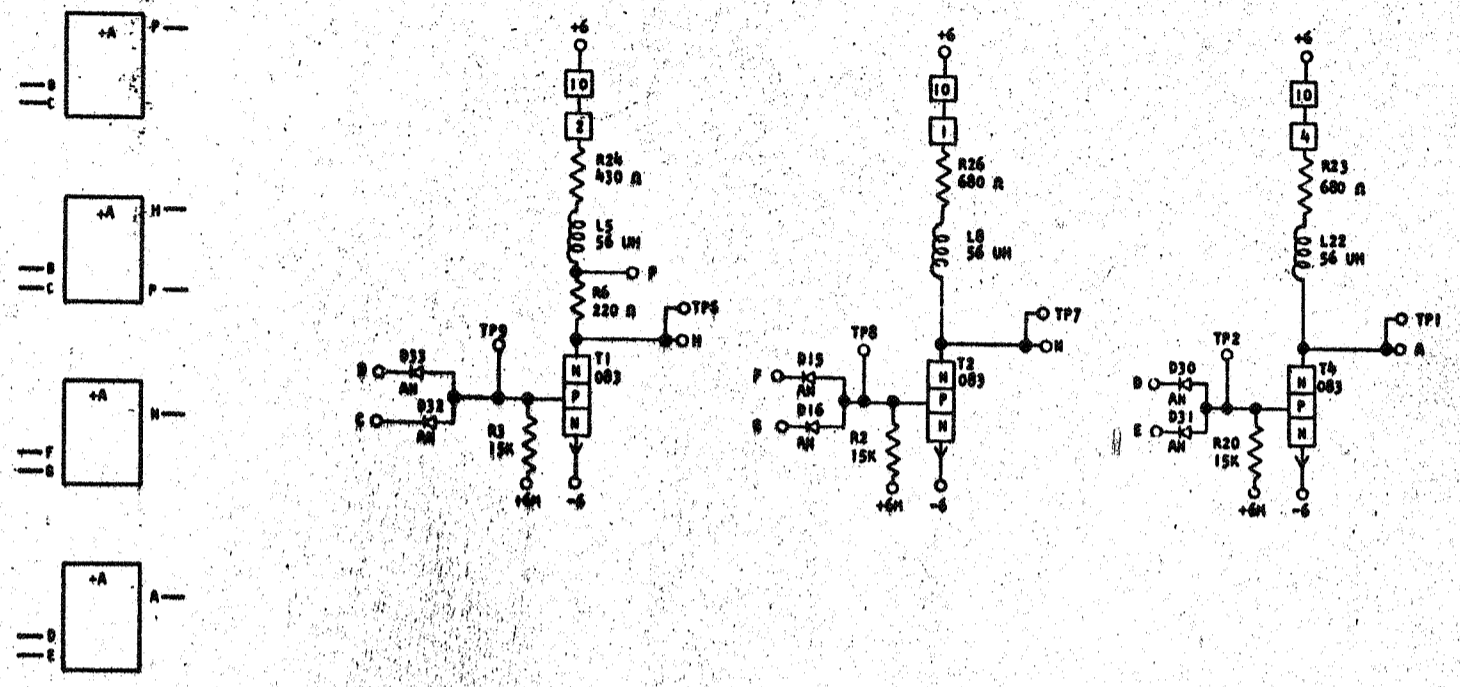
STANDARD CODE

CARD CODE 729827
CH. WW

REFERENCE DRAWING

SEE PRODUCTION DRAWING 371252

CTDL - TWO WAY "AND" NPN



- SEQUENCE OF OPERATION**
1. BOTH INPUTS UP, TRANSISTOR ON, OUTPUT DOWN
 2. ANY INPUT DOWN TRANSISTOR OFF OUTPUT UP
 3. LOGIC BLOCKS MAY HAVE SYMBOLS OTHER THAN SHOWN

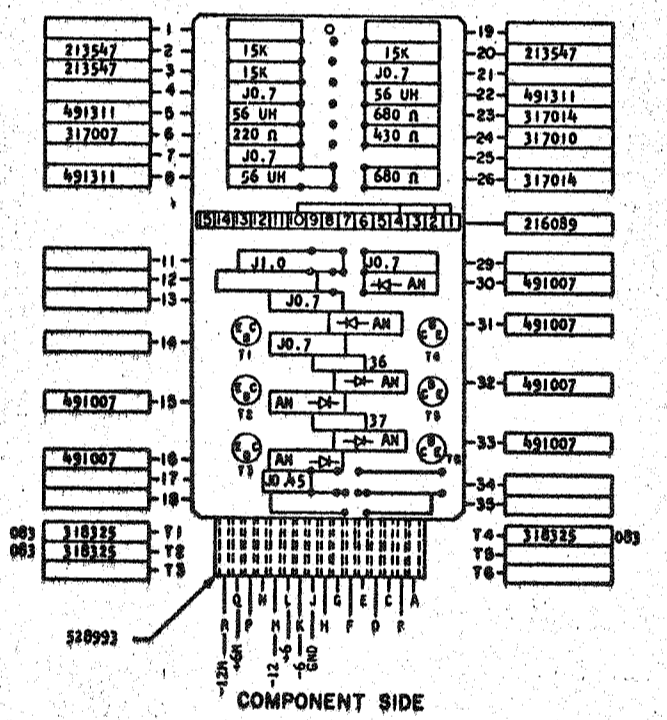
PINS	SIGNAL NAME	WAVE SHAPE	LEVELS	
			MIN	MAX
B, F, D	U INPUT	[Waveform: High then Low]	UP	-5.3 0.2
C, G, E	U INPUT	[Waveform: High then Low]	UP	-5.3 0.2
H, N, A	T OUTPUT	[Waveform: Low then High]	DOWN	-7.4 -12.5
P, N, A	T OUTPUT	[Waveform: Low then High]	DOWN	-7.4 -12.5
			UP	1.4 6.24
			DOWN	-5.5 -6.24
			UP	2.62 6.24
			DOWN	-1.07 -2.40

DELAY - USEC

	MINIMUM	MAXIMUM
TURN ON	0.05	0.70
TURN OFF	0.05	1.50

*THIS DELAY CAN OCCUR ONLY ON HEAVILY LOADED BLOCKS.

NOTE: THE ABOVE RANGES OF DELAYS ARE REPRESENTATIVE. SPECIFIC CIRCUIT APPLICATION AND/OR WIRING CAPACITANCE MAY RESULT IN DELAYS WHICH ARE OUT OF THE GIVEN RANGES. IN SUCH CASES, CARD REPLACEMENT SHOULD INDICATE IF THE CIRCUIT IS OUT OF SPECIFICATIONS. EXAMPLE: LOGIC BLOCK DRIVING EF 'ON'.



CIRCUIT AND PACKAGING STANDARD	
APPROVAL	DATE
ABC	4-2-62

INTERNATIONAL BUSINESS MACHINES CORP.				DATE	CHARGE NO.	APPROVAL	DATE	CHARGE NO.	APPROVAL	DEVELOPMENT NO.
NAME	CARD ASM TSTR - CTDL - TWO WAY "AND" NPN	DATE	4-29-62	EC 115599						
DESIGN	RD	3-1-62	SCALE	NONE	30.4.63	JT 89687				
CHECK	WH	3-1-62	DRAWN	LIR	3-17-62					
APPRO			CHECK							

729827