

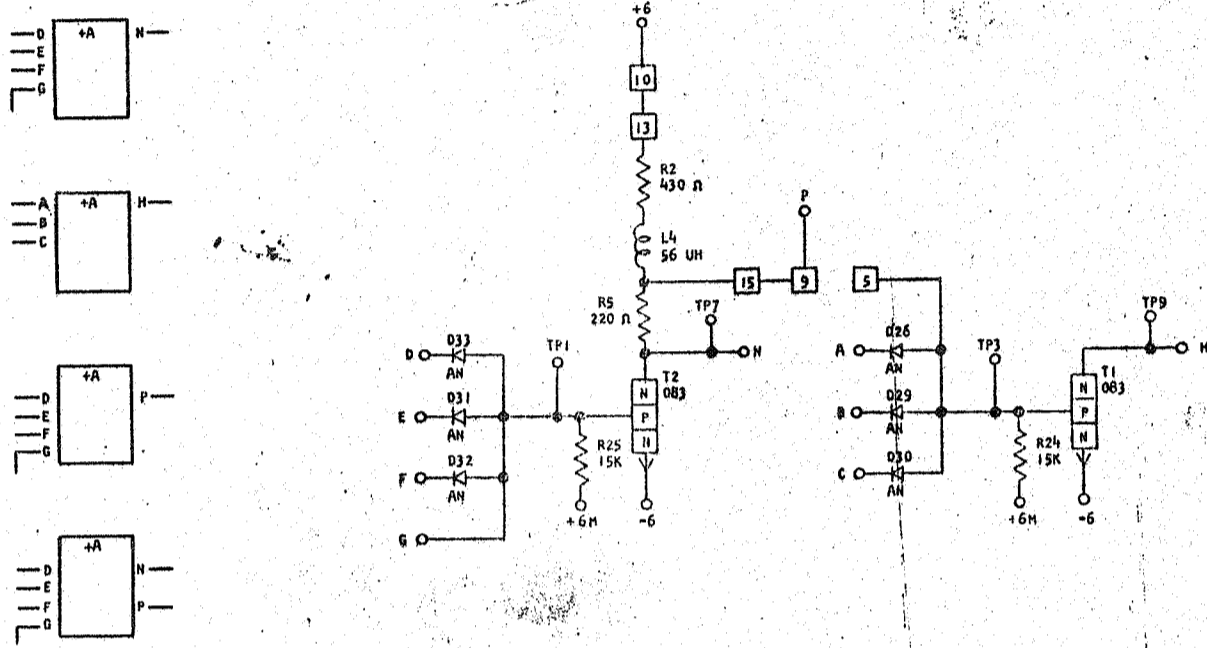
STANDARDS CODE
729832

CARD CODE 729832
CK VU

REFERENCE DRAWING

SEE PRODUCTION DRAWING 371269

CTDL-3 WAY "AND" NPN ONE LOAD



SEQUENCE OF OPERATION

1. ALL INPUTS UP TRANSISTOR ON OUTPUT DOWN
2. ANY INPUT DOWN TRANSISTOR OFF OUTPUT UP
3. INPUTS ON EXTENDER CARD UP IN COINCIDENCE WITH UP INPUTS CARD FOR DOWN OUTPUT
4. T1 COLLECTOR MUST BE LOADED
5. LOGIC BLOCKS MAY HAVE SYMBOLS OTHER THAN SHOWN

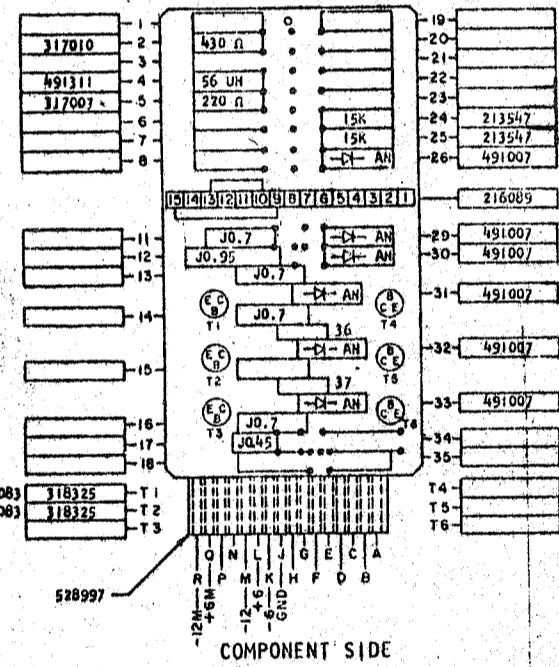
PINS	SIGNAL NAME	WAVE SHAPE	LEVELS	
			MIN	MAX
D, A	U INPUT	[High]	UP -5.26	0.24
		[Low]	DOWN -7.44	-12.5
E, B	U INPUT	[High]	UP -5.26	0.24
		[Low]	DOWN -7.44	-12.5
F, C	U INPUT	[High]	UP -5.26	0.24
		[Low]	DOWN -7.44	-12.5
G	EXTENDER INPUT	[High]	UP -6.	
		[Low]	DOWN -12.	
N, H	T OUTPUT	[High]	UP 1.44	6.24
		[Low]	DOWN +5.46	-6.24
P	N OUTPUT	[High]	UP 2.82	6.24
		[Low]	DOWN -1.07	-2.40

DELAY - USEC

	MINIMUM	MAXIMUM
TURN ON	0.05	0.70
TURN OFF	0.05	1.50*

*THIS DELAY CAN OCCUR ONLY ON HEAVILY LOADED BLOCKS.

NOTE: THE ABOVE RANGES OF DELAYS ARE REPRESENTATIVE. SPECIFIC CIRCUIT APPLICATION AND/OR WIRING CAPACITANCE MAY RESULT IN DELAYS WHICH ARE OUT OF THE GIVEN RANGES. IN SUCH CASES, CARD REPLACEMENT SHOULD INDICATE IF THE CIRCUIT IS OUT OF SPECIFICATIONS.
EXAMPLE: LOGIC BLOCK DRIVING OF "OR"



CIRCUIT AND PACKAGING STANDARD	
APPROVAL	DATE
ABC	4-2-62

INTERNATIONAL BUSINESS MACHINES CORP.				DATE	CHANGE NO.	APPROVAL	DATE	CHANGE NO.	APPROVAL	DEVELOPMENT NO.
NAME CARD ASM ISTR-CTDL THREE				1/62	115599					729832
WAY "AND" NPN										
DESIGN	RQ	3-1-62	SCALE	NONE						
CHECK	WH	3-1-62	DRAW	LTB	3-17-62					
APPRO			CHECK							

729832