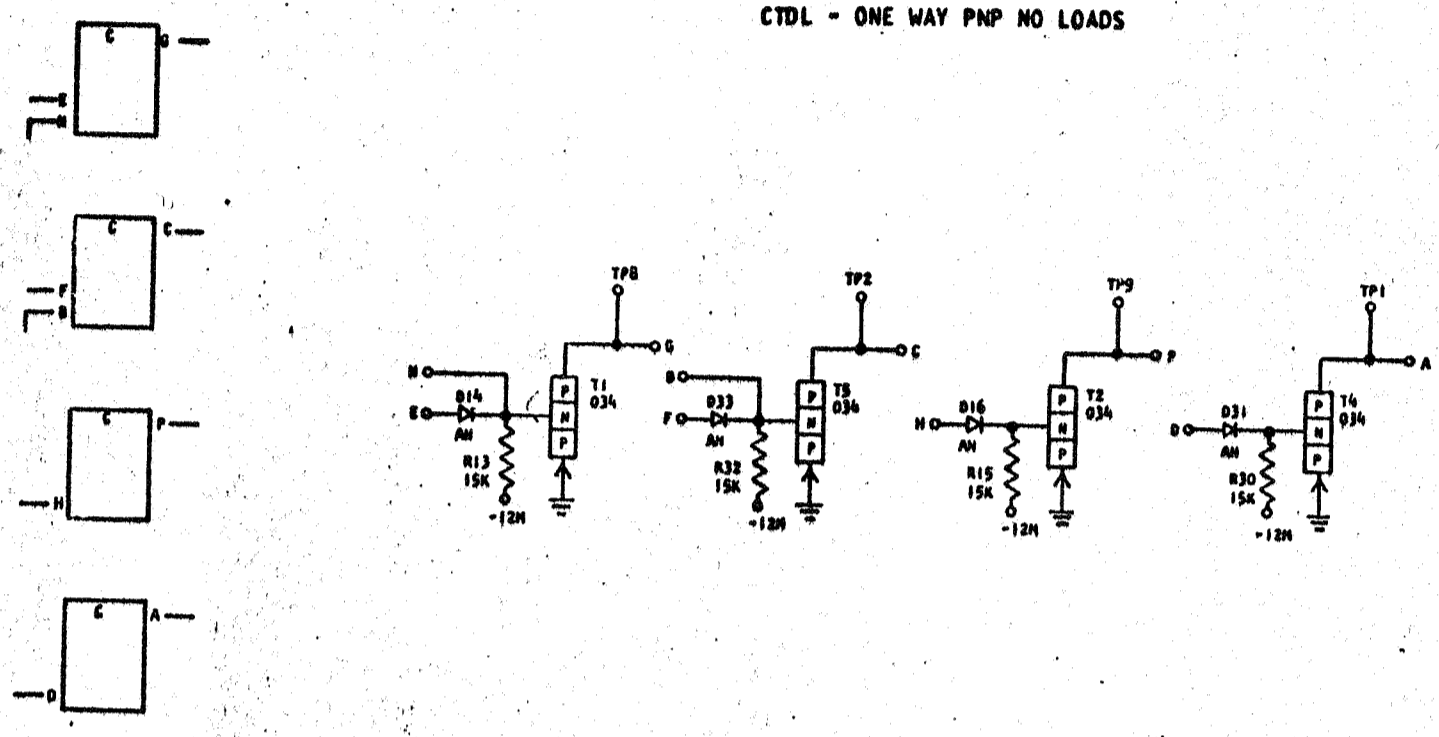


729845

CARD CODE 729845
CQ --

REFERENCE DRAWING
SEE PRODUCTION DRAWING 371273

CTDL - ONE WAY PNP NO LOADS



SEQUENCE OF OPERATION

1. DOWN INPUT TRANSISTOR ON OUTPUT UP
2. UP INPUT TRANSISTOR OFF OUTPUT DOWN
3. INPUTS ON EXTENDER CARD DOWN IN COINCIDENCE WITH DOWN INPUT ON CARD FOR UP OUTPUT
4. COLLECTORS MUST BE LOADED
5. LOGIC BLOCKS MAY HAVE SYMBOLS OTHER THAN SHOWN

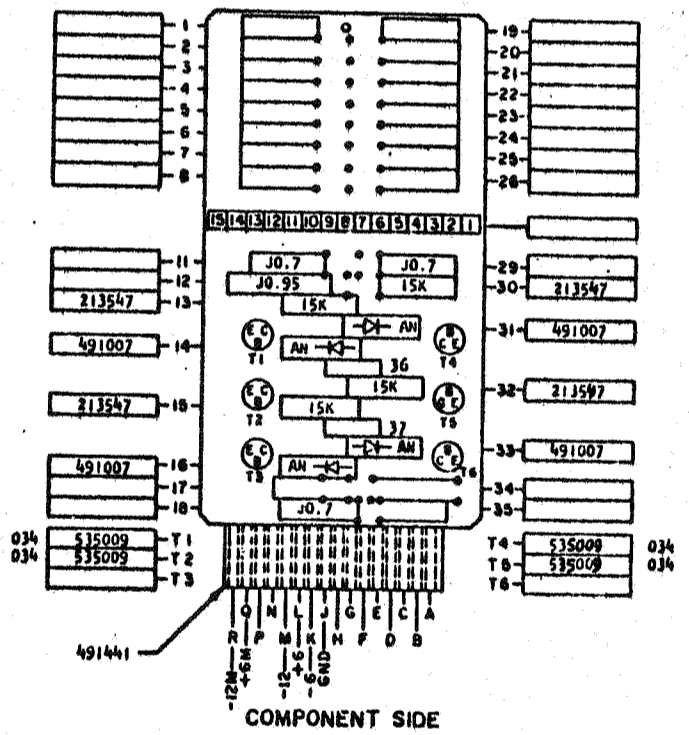
PINS	SIGNAL NAME	WAVE SHAPE	LEVELS		
			MIN	MAX	
E, F, H, D	T INPUT		UP	1.44	6.24
			DOWN	-0.74	-6.24
H, B	EXTENDER INPUT		UP	+6.0	
			DOWN	0.0	
G, C, P, A	U OUTPUT		UP	-0.54	0.24
			DOWN	-7.44	-12.5

DELAY - USEC

	MINIMUM	MAXIMUM
TURN ON	0.10	0.80
TURN OFF	0.05	0.80

*THIS DELAY CAN OCCUR ONLY ON HEAVILY LOADED BLOCKS.

NOTE: THE ABOVE RANGES OF DELAYS ARE REPRESENTATIVE. SPECIFIC CIRCUIT APPLICATION AND/OR WIRING CAPACITANCE MAY RESULT IN DELAYS WHICH ARE OUT OF THE GIVEN RANGES. IN SUCH CASES, CARD REPLACEMENT SHOULD INDICATE IF THE CIRCUIT IS OUT OF SPECIFICATIONS. EXAMPLE: LOGIC BLOCK DRIVING EF 'DN'.



CIRCUIT AND PACKAGING STANDARD	
APPROVAL	DATE
ABC	4-2-62

INTERNATIONAL BUSINESS MACHINES CORP.				DATE	CHANGE NO.	APPROVAL	DATE	CHANGE NO.	APPROVAL	DEVELOPMENT NO.
NAME CARD ASM TSTR -CTDL-ONE				/ / 62	115599					
MAY PNP NO LOADS										
DESIGN	RQ	MODEL	SMS							
DETAIL	RQ	3-1-62	SCALE	NONE						
CHECK	VM	3-1-62	DRAW	LIG	3-17-62					
APPD			CHECK							

729845