

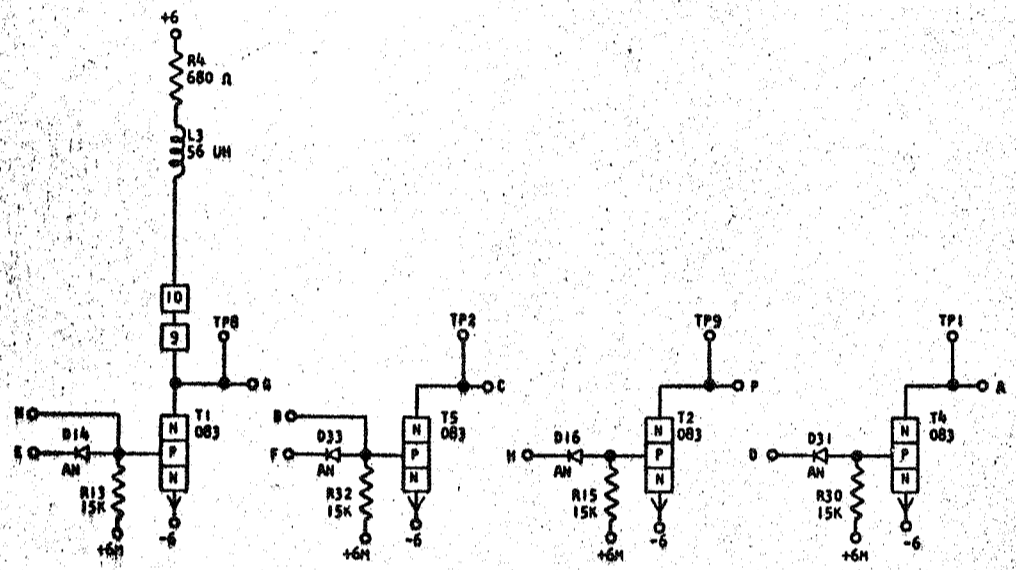
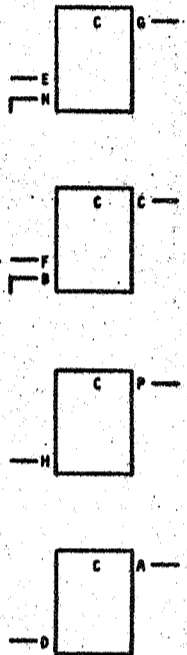
729850

STANDARD CODE

CARD CODE 729850  
CR YG

REFERENCE DRAWING  
SEE PRODUCTION DRAWING 371277

CTDL - ONE WAY NPN I LOAD -  
FOUR ON CARD



SEQUENCE OF OPERATION

- UP INPUT TRANSISTOR ON OUTPUT DOWN
- DOWN INPUT TRANSISTOR OFF OUTPUT UP
- INPUTS ON EXTENDER CARD UP IN COINCIDENCE WITH UP INPUT ON CARD FOR DOWN OUTPUT
- T2, T4, T5 COLLECTORS MUST BE LOADED
- LOGIC BLOCKS MAY HAVE SYMBOLS OTHER THAN SHOWN

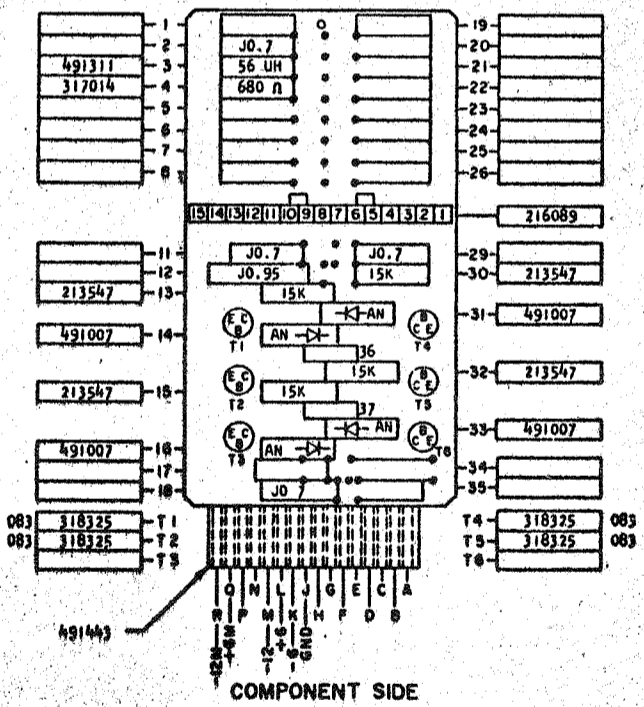
PINS	SIGNAL NAME	WAVE SHAPE	LEVELS	
			MIN	MAX
E, F, H, D	U INPUT	[Waveform]	UP -5.26	0.24
H, D	EXTENDER INPUT	[Waveform]	UP -6.	
G, C, P, A	T OUTPUT	[Waveform]	UP 1.44	6.24
			DOWN -5.46	-6.24

DELAY - USEC

	MINIMUM	MAXIMUM
TURN ON	0.05	0.70
TURN OFF	0.05	1.50*

\*THIS DELAY CAN OCCUR ONLY ON HEAVILY LOADED BLOCKS.

NOTE: THE ABOVE RANGES OF DELAYS ARE REPRESENTATIVE. SPECIFIC CIRCUIT APPLICATION AND/OR WIRING CAPACITANCE MAY RESULT IN DELAYS WHICH ARE OUT OF THE GIVEN RANGES. IN SUCH CASES, CARD REPLACEMENT SHOULD INDICATE IF THE CIRCUIT IS OUT OF SPECIFICATIONS. EXAMPLE: LOGIC BLOCK DRIVING EF 'DN'.



CIRCUIT AND PACKAGING STANDARD	
APPROVAL	DATE
ABC	4-2-62

INTERNATIONAL BUSINESS MACHINES CORP.				DATE	CHANGE NO.	APPROVAL	DATE	CHANGE NO.	APPROVAL	DEVELOPMENT NO.
NAME CARD ASM TSTR-CTDL - ONE				6-27-62	115599					729850
WAY NPN I LD. - FOUR ON CARD				30-4-63	7783687					
DESIGN	RD	3-1-62	SCALE	NONE						
CHECK	WH	3-1-62	DRAW	LIG 3-17-62						