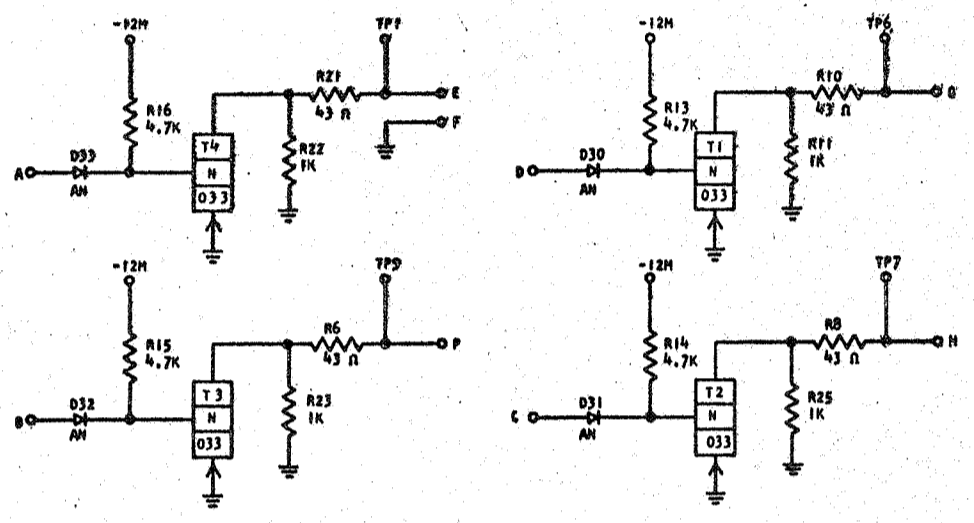
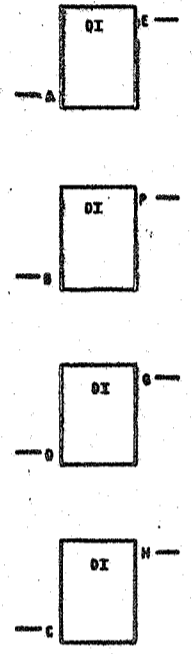


729883  
STANDARD CODE

CARD CODE 729883  
KA --

REFERENCE DRAWING  
SEE PRODUCTION DRAWING 371546

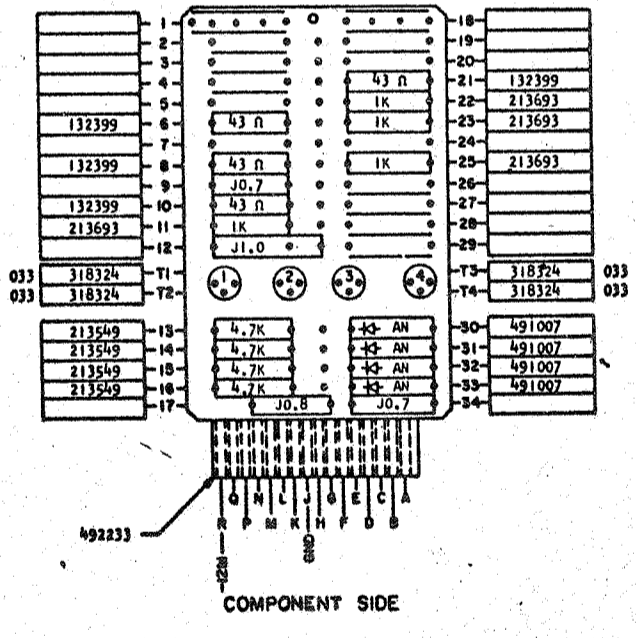
ALLOY - INDICATOR DRIVER 40 MA



SEQUENCE OF OPERATION

1. INPUT DOWN TRANSISTOR ON OUTPUT UP
2. INPUT UP TRANSISTOR OFF OUTPUT DOWN

PINS	SIGNAL NAME	WAVE SHAPE	LEVELS	
			MIN	MAX
A, D, B, C	T	INPUT	UP	1.44 6.24
			DOWN	-0.74 -6.24
E, G, P, H	U	OUTPUT	UP	-0.54 0.24
			DOWN	-10



CIRCUIT AND PACKAGING STANDARD	
APPROVAL	DATE
ABC	4-2-62

INTERNATIONAL BUSINESS MACHINES CORP.		DATE	CHANGE NO.	APPROVAL	DATE	CHANGE NO.	APPROVAL	DEVELOPMENT NO.
NAME	CARD ASM TSTR- ALLOY- INDICATOR DRIVER (40 MA)	4-27-62	EC 115599					
DESIGN	MODEL SHS	30.4.63	JT 83687					
DETAIL	RD 3-1-62	SCALE	NONE					
CHECK	WH 3-1-62	DRAW	LIG 3-17-62					
APPRO	CHECK							

729883