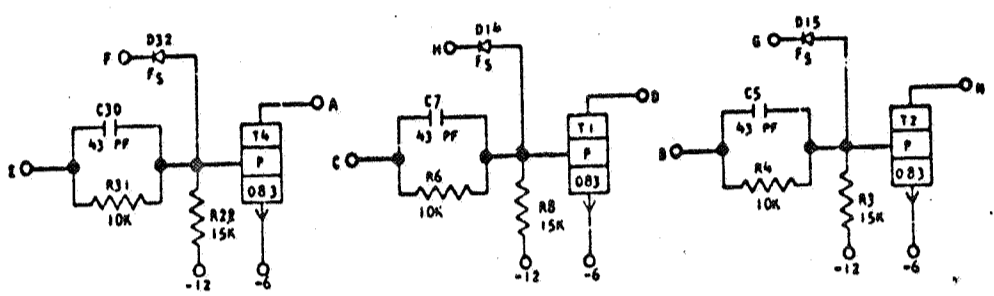
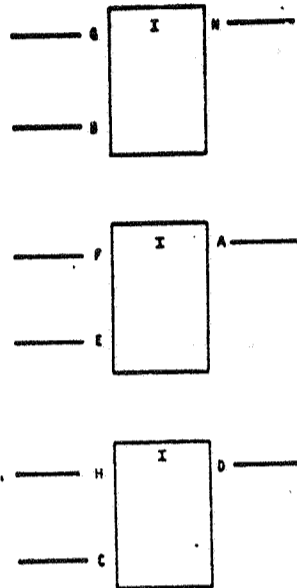


741800
STANDARD CODE

CARD CODE 741800
H B - -

REFERENCE DRAWING
SEE PRODUCTION DRAWING 371561

CAP SENSE AMPLIFIER - NO LDS



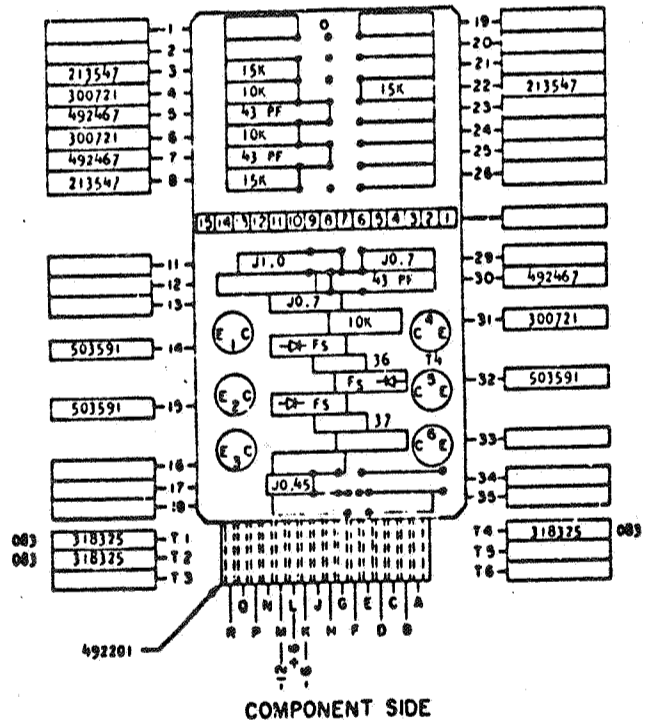
SEQUENCE OF OPERATION

1. GATE AND SIGNAL UP, TRANSISTOR ON, DOWN OUTPUT
2. GATE OR SIGNAL DOWN, TRANSISTOR OFF, UP OUTPUT
3. INPUT DOWN, TRANSISTOR OFF, OUTPUT UP.
4. INPUT UP, TRANSISTOR ON, OUTPUT DOWN.
5. LOGIC BLOCKS MAY HAVE SYMBOLS OTHER THAN SHOWN.

PIN	SIGNAL NAME	WAVE SHAPE	LEVELS		
			MIN	MAX	
D, E, C	INPUT SIGNAL		UP	+1.44	+6.24
			DOWN	-5.46	-6.24
G, F, H	INPUT GATE		UP	-5.46	+0.24
			DOWN	-7.44	-12.48
N, A, B	OUTPUT		UP	+1.44	+6.24
			DOWN	-5.46	-6.24

DELAYS - USEC

	MINIMUM	MAXIMUM
TURN ON	0	0.07
TURN OFF	0.20	0.55



COMPONENT SIDE

CIRCUIT AND PACKAGING STANDARD	
APPROVAL	DATE

APPROVAL	CHECK	MAT. LAB.	COMP. LAB.
<i>[Signature]</i>	<i>[Signature]</i>		
26.6	64		

INTERNATIONAL BUSINESS MACHINES CORP.				DATE	CHARGE NO.	APPROVAL	DATE	CHARGE NO.	APPROVAL	DEVELOPMENT NO.
NAME CARD ASM TSTR-CAP SENSE				3-25-64	120123	<i>[Signature]</i>				
AMPLIFIER - NO LDS				26.6.64	TA 769					
DESIGN	MODIF	SCALE	DRAW VE	2-12-64						
CHECK										
APPROV										

741800