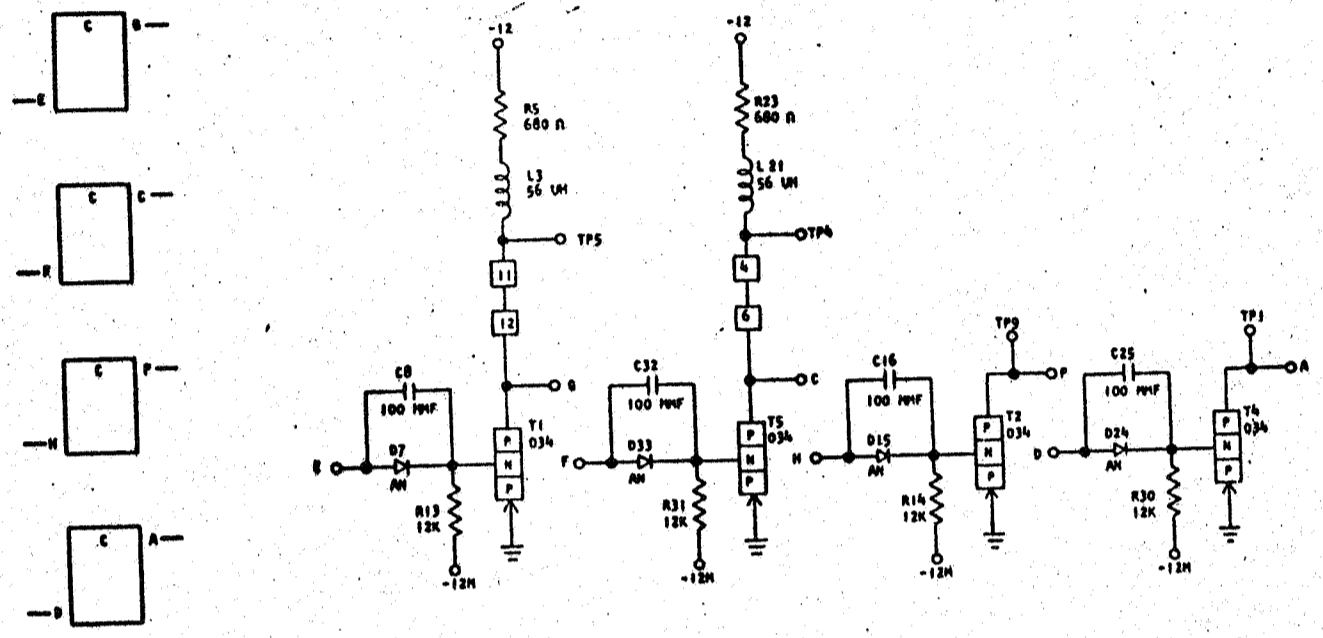


729866
STANDARD CODE

CARD CODE 729866
JF VN

REFERENCE DRAWING
SEE PRODUCTION DRAWING 371577

CTDL HIGH SPEED ONE WAY PNP TWO LOADS



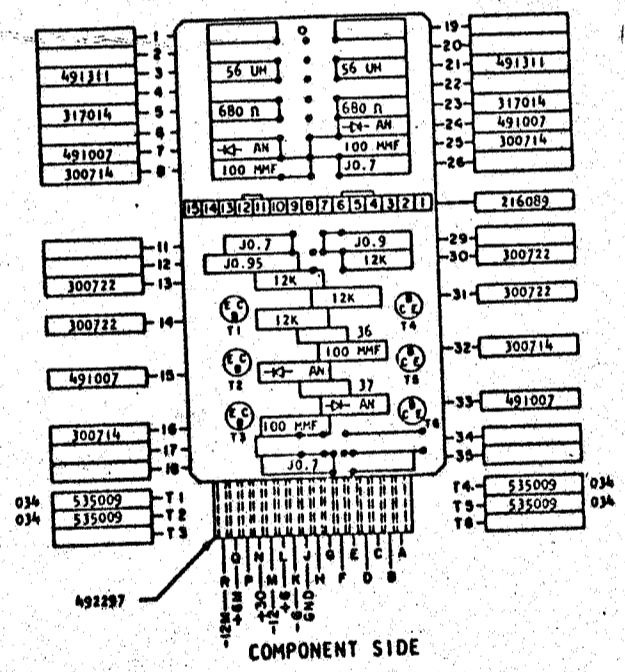
SEQUENCE OF OPERATION

1. WHEN THE INPUT IS UP, THE TRANSISTOR IS OFF, THE OUTPUT IS DOWN
2. WHEN THE INPUT IS DOWN, THE TRANSISTOR IS ON, THE OUTPUT IS UP
3. T2, T4 COLLECTORS MUST BE LOADED
4. LOGIC BLOCKS MAY HAVE SYMBOLS OTHER THAN SHOWN

PINS	SIGNAL NAME	WAVE SHAPE	LEVELS	
			MIN	MAX
E, F, H, D	T INPUT		UP 1.44	6.24
G, C, P, A	U OUTPUT		UP -.74	-6.24
			DOWN -5.4	-.24
			DOWN -7.44	-12.44

DELAY - USEC

	MINIMUM	MAXIMUM
TURN ON	0.05	0.25
TURN OFF	0.10	0.40



CIRCUIT AND PACKAGING STANDARD

APPROVAL	DATE
ABC	4-2-62

INTERNATIONAL BUSINESS MACHINES CORP.	DATE	CHANGE NO.	APPROVAL	DATE	CHANGE NO.	APPROVAL	DEVELOPMENT NO.
NAME CAPD ASH TSTR- CTDL HIGH SPEED ONE WAY PNP TWO LOADS	3-1-62	EC115589					
DESIGN	3-1-62	3783687					
DETAIL	3-1-62						
CHECK	3-1-62						
APPROV							

729866