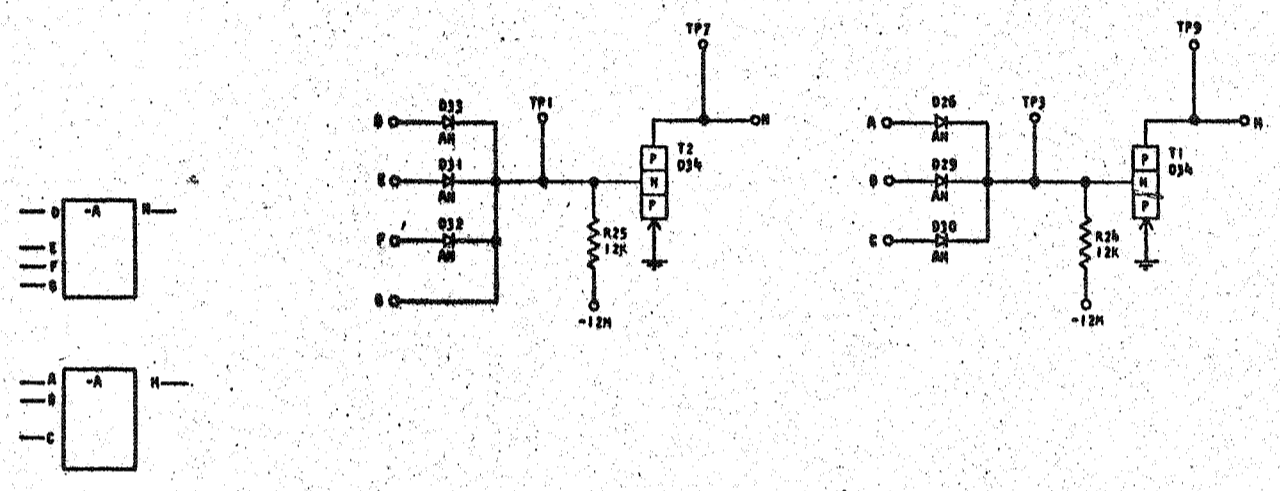


STANDARD CODE  
729872

CARD CODE 729872  
JH --

REFERENCE DRAWING  
SEE PRODUCTION DRAWING 371586

CTDL HIGH SPEED 3-WAY "AND" NO LOADS



- SEQUENCE OF OPERATION
1. ANY INPUT UP, TRANSISTOR OFF, THE OUTPUT IS DOWN
  2. ALL INPUTS DOWN, TRANSISTOR ON, THE OUTPUT IS UP
  3. INPUTS ON EXTENDER INPUTS MUST BE DOWN IN COINCIDENCE WITH INPUTS ON CARD FOR UP OUTPUT
  4. BOTH OUTPUTS MUST BE COLLECTOR LOADED
  5. LOGIC BLOCKS MAY HAVE SYMBOLS OTHER THAN SHOWN.

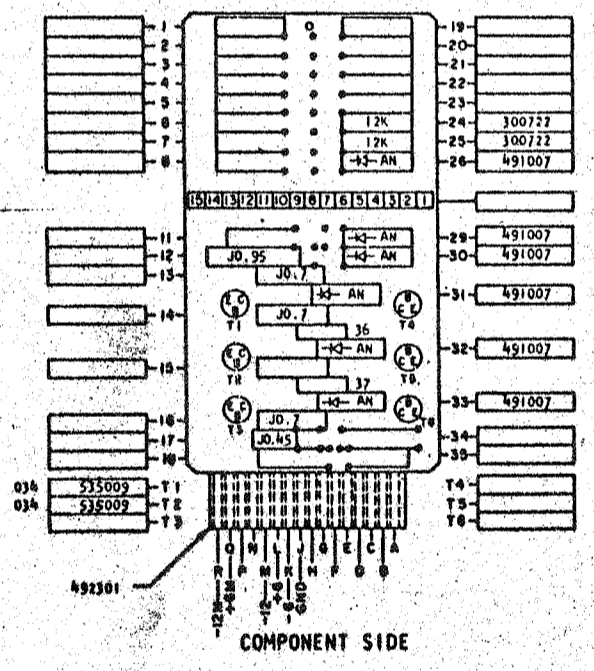
PINS	SIGNAL NAME	WAVE SHAPE	LEVELS	
			MIN	MAX
D, E, F	INPUT	[Waveform: High pulse]	UP	+1.44 +6.24
			DOWN	-.74 -6.24
N	OUTPUT	[Waveform: High pulse]	UP	-.54 +.24
			DOWN	-7.44 -12.48
A, B, C	INPUT	[Waveform: High pulse]	UP	+1.44 +6.24
			DOWN	-.74 -6.24
U	OUTPUT	[Waveform: High pulse]	UP	-.54 +.24
			DOWN	-7.44 -12.48
Q	EXTENDER INPUT	[Waveform: High pulse]	UP	+6
			DOWN	0.0

DELAY

	MINIMUM	MAXIMUM
TURN ON	0.15	0.50
TURN OFF	0.05	0.80

†THIS DELAY CAN OCCUR ONLY ON HEAVILY LOADED BLOCKS.

NOTE: THE ABOVE RANGES OF DELAYS ARE REPRESENTATIVE. SPECIFIC CIRCUIT APPLICATION AND/OR WIRING CAPACITANCE MAY RESULT IN DELAYS WHICH ARE OUT OF THE GIVEN RANGES. IN SUCH CASES, CARD REPLACEMENT SHOULD INDICATE IF THE CIRCUIT IS OUT OF SPECIFICATIONS. EXAMPLE: LOGIC BLOCK DRIVING IF "ON".



CIRCUIT AND PACKAGING STANDARD	
APPROVAL	DATE
ABC	4-2-62

INTERNATIONAL BUSINESS MACHINES CORP.	DATE	CHANGE NO.	APPROVAL	DATE	CHANGE NO.	APPROVAL	DEVELOPMENT NO.
NAME CARD ALM YSTR-CTDL HIGH SPEED 3-WAY "AND" PNP NO LOADS	4-1-62	RC115599					729872
DESIGN	0-1-62	SCMT					
CHECK WIR	0-1-62	DEAR CIG					
APPRO		CHECK					

729872