

729876

STANDARD CODE

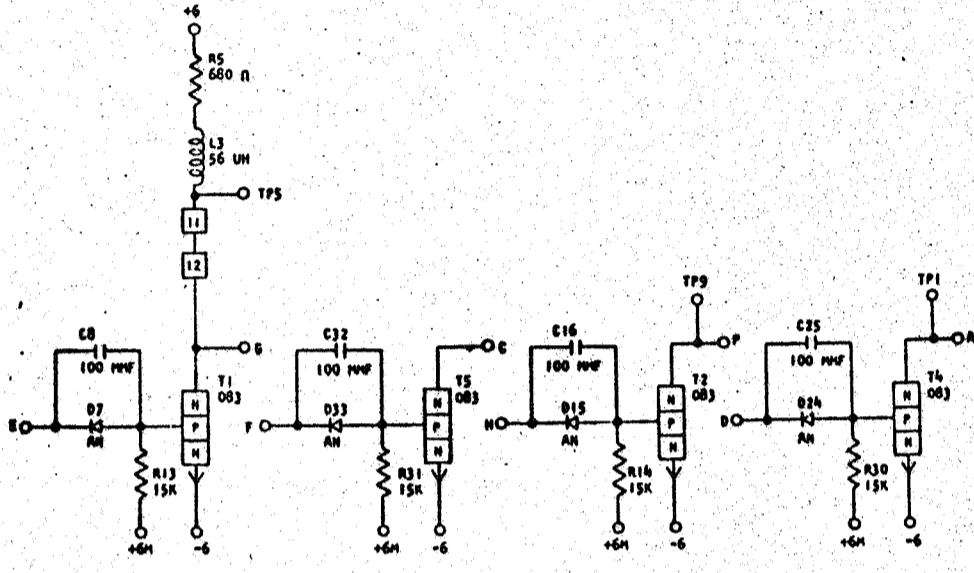
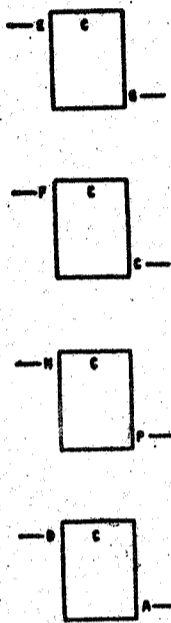
CARD CODE 729876

JJ VA

REFERENCE DRAWING

SEE PRODUCTION DRAWING 371589

CTDL HIGH SPEED ONE WAY NPN ONE LOAD



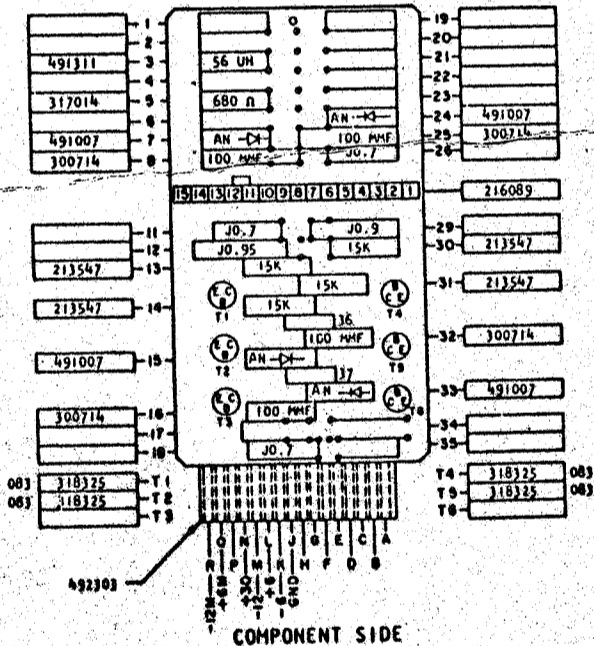
SEQUENCE OF OPERATION

1. IF THE INPUT IS UP, THE TRANSISTOR IS ON, THE OUTPUT IS DOWN
2. IF THE INPUT IS DOWN, THE TRANSISTOR IS OFF, THE OUTPUT IS UP
3. T5, T2, T4 MUST BE COLLECTOR LOADED
4. LOGIC BLOCKS MAY HAVE SYMBOLS OTHER THAN SHOWN

PINS	SIGNAL NAME	WAVE SHAPE	LEVELS	
			MIN	MAX
E, F, H, B	U	INPUT	UP	-5.26 +.24
			DOWN	-7.44 -12.48
B, C, P, A	Y	OUTPUT	UP	+1.44 +6.24
			DOWN	-5.46 -6.24

DELAY - USEC

	MINIMUM	MAXIMUM
TURN ON	0.10	0.30
TURN OFF	0	0.30



CIRCUIT AND PACKAGING STANDARD	
APPROVAL	DATE
ABC	4-2-62

INTERNATIONAL BUSINESS MACHINES CORP.	DATE	CHANGE NO.	APPROVAL	DATE	CHANGE NO.	APPROVAL	DEVELOPMENT NO.
NAME CARD ASM BSTR - CTDL HIGH SPEED ONE WAY NPN ONE LOAD	6-27-62	EC 115599					
	30.4.63	JT 83687					
DESIGNER	3-1-62	SCALE	NONE				
CHECKED	3-1-62	DRAWN	LIG 12-62				
APPROVED		CHECKED					

729876